

## Choke Coils

Japan  
Singapore

Series: **High power**  
Type: **06D, 08D, 10D, 16B, 18B**  
**10E, 12E, 15E, 18E**

High power inductors featuring small size and high performance

Type 06D    Type 08D    Type 10D

Industrial Property: Utility model 1 (pending)

### ■ Features

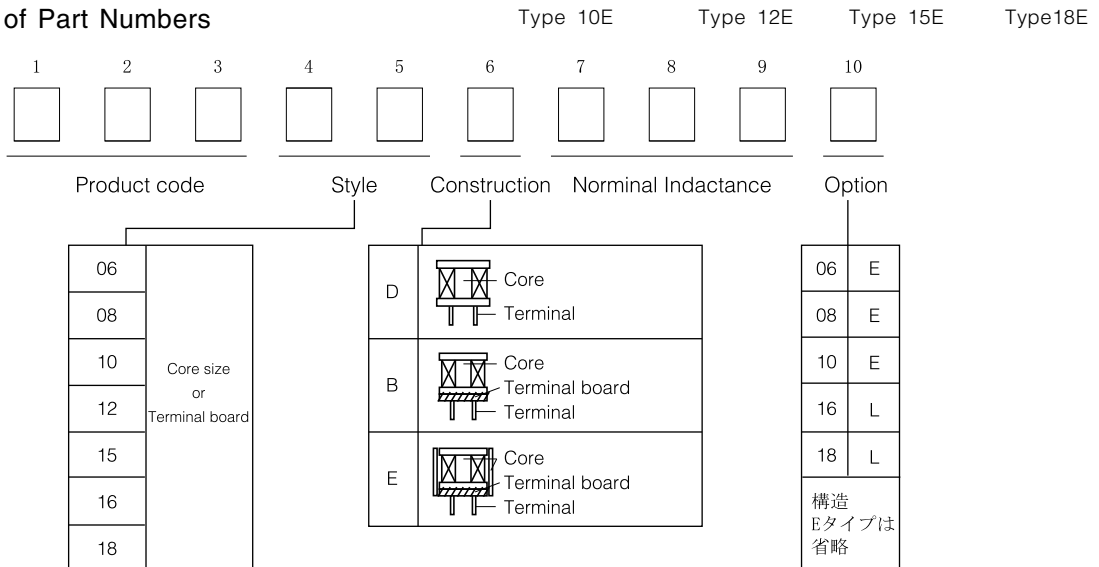
- Adoption of High  $\mu$  and High  $B_m$  ferrite cores
- Wide inductor range

Type 16B    Type 18B

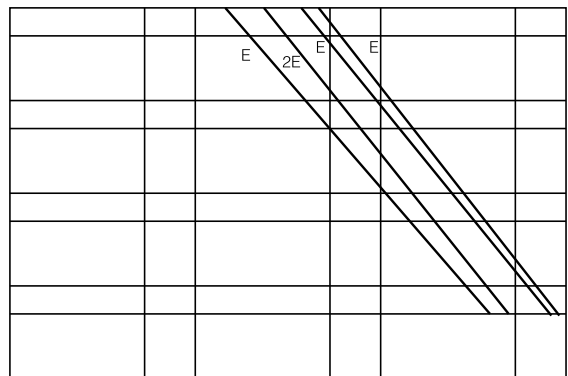
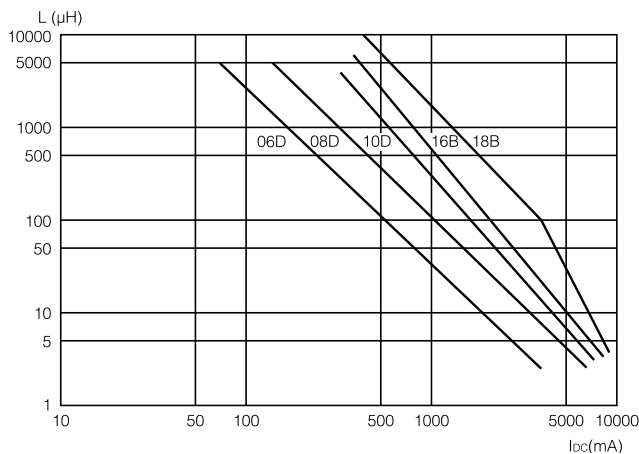
### ■ Recommended Applications

- CTV, VTR, Audio, PC, Facsimiles

### ■ Explanation of Part Numbers



### ■ Available I-L Characteristics



Design, Specifications are subject to change without notice. Ask factory for technical specifications before purchase and/or use. Whenever a doubt about safety arises from this product, please inform us immediately for technical consultation without fail.

## ■ Examples Type 06D

Type	Part No.	Inductance (μH)	Tolerance (%)	Test Freq. (kHz)	[at 20°C] *DCR. (Ω±30%) (Ω±20%)	**[at 20°C] IDC. (Amax.)
06D	ELC06D2R2E	2.2	±20	10	*0.026	3.4
	ELC06D2R7E	2.7			*0.028	3.2
	ELC06D3R3E	3.3			*0.027	3.0
	ELC06D3R9E	3.9			*0.030	2.8
	ELC06D4R7E	4.7			*0.033	2.6
	ELC06D5R6E	5.6			*0.035	2.4
	ELC06D6R8E	6.8			0.041	2.0
	ELC06D8R2E	8.2			0.048	1.8
	ELC06D100E	10			0.052	1.7
	ELC06D120E	12			0.054	1.65
	ELC06D150E	15			0.059	1.50
	ELC06D180E	18			0.065	1.25
	ELC06D220E	22			0.076	1.20
	ELC06D270E	27			0.083	0.95
	ELC06D330E	33	0.100		0.90	
	ELC06D390E	39	0.105		0.85	
	ELC06D470E	47	0.12		0.80	
	ELC06D560E	56	0.14		0.75	
	ELC06D680E	68	0.15		0.70	
	ELC06D820E	82	0.21		0.55	
	ELC06D101E	100	0.23		0.50	
	ELC06D121E	120	0.26		0.49	
	ELC06D151E	150	0.37		0.45	
	ELC06D181E	180	0.42		0.40	
	ELC06D221E	220	0.55		0.36	
	ELC06D271E	270	0.65		0.35	
	ELC06D331E	330	0.74		0.30	
	ELC06D391E	390	0.95		0.27	
	ELC06D471E	470	1.08		0.24	
	ELC06D561E	560	1.22		0.22	
	ELC06D681E	680	1.59		0.21	
	ELC06D821E	820	1.76		0.18	
	ELC06D102E	1000	2.49		0.16	
	ELC06D122E	1200	2.76		0.15	
	ELC06D152E	1500	3.24		0.13	
	ELC06D182E	1800	4.56		0.12	
ELC06D222E	2200	5.18	0.11			
ELC06D272E	2700	6.08	0.10			
ELC06D332E	3300	8.80	0.10			
ELC06D392E	3900	9.47	0.08			
ELC06D472E	4700	10.9	0.075			
ELC06D562E	5600	12.3	0.07			

\*DC Resistance:±30%

\*\*Allowable DC Current:Smaller current value either when the inductance of -10 %max. changed, or when the temperature of 45k max. rised.

Design, Specifications are subject to change without notice. Ask factory for technical specifications before purchase and/or use. Whenever a doubt about safety arises from this product, please inform us immediately for technical consultation without fail.

## ■ Examples Type 08D

Type	Part No.	Inductance (μH)	Tolerance (%)	Test Freq. (kHz)	[at 20°C] *DCR. (Ω±30%) (Ω±20%)	**[at 20°C] IDC. (Amax.)
08D	ELC08D2R2E	2.2	±20	10	0.010	7.2
	ELC08D2R7E	2.7			0.011	6.3
	ELC08D3R3E	3.3			0.013	5.7
	ELC08D3R9E	3.9			0.014	5.0
	ELC08D4R7E	4.7			0.015	4.3
	ELC08D5R6E	5.6			0.016	4.1
	ELC08D6R8E	6.8			0.017	3.8
	ELC08D8R2E	8.2			0.019	3.6
	ELC08D100E	10			0.022	2.8
	ELC08D120E	12			0.025	2.7
	ELC08D150E	15			0.028	2.4
	ELC08D180E	18			0.031	2.2
	ELC08D220E	22			0.034	2.0
	ELC08D270E	27			0.039	1.8
	ELC08D330E	33			0.045	1.4
	ELC08D390E	39	0.052		1.3	
	ELC08D470E	47	0.067		1.2	
	ELC08D560E	56	0.073		1.1	
	ELC08D680E	68	0.086		1.0	
	ELC08D820E	82	0.11		0.90	
	ELC08D101E	100	0.12		0.80	
	ELC08D121E	120	0.17		0.75	
	ELC08D151E	150	0.20		0.70	
	ELC08D181E	180	0.22		0.65	
	ELC08D221E	220	0.29		0.60	
	ELC08D271E	270	0.36		0.55	
	ELC08D331E	330	0.42		0.50	
	ELC08D391E	390	0.49		0.45	
	ELC08D471E	470	0.61		0.36	
	ELC08D561E	560	0.69		0.34	
	ELC08D681E	680	0.93		0.32	
	ELC08D821E	820	1.1		0.30	
	ELC08D102E	1000	1.3		0.29	
	ELC08D122E	1200	1.6		0.28	
	ELC08D152E	1500	1.9		0.24	
	ELC08D182E	1800	2.5		0.21	
	ELC08D222E	2200	2.8		0.20	
	ELC08D272E	2700	3.7		0.19	
	ELC08D332E	3300	4.4		0.16	
ELC08D392E	3900	4.9	0.14			

\*Allowable DC Current: Smaller current value either when the inductance of -10 %max. changed, or when the temperature of 45k max. rised.

### ■ Examples Type 10D

Type	Part No.	Inductance (μH)	Tolerance (%)	Test Freq. (kHz)	[at 20°C] *DCR. (Ω±30%) (Ω±20%)	**[at 20°C] IDC. (Amax.)
10D	ELC10D2R2E	2.2	±20	10	0.014	5.9
	ELC10D2R7E	2.7			0.015	5.5
	ELC10D3R3E	3.3			0.016	5.2
	ELC10D3R9E	3.9			0.018	4.8
	ELC10D4R7E	4.7			0.019	4.6
	ELC10D5R6E	5.6			0.021	4.3
	ELC10D6R8E	6.8			0.022	4.2
	ELC10D8R2E	8.2			0.024	4.0
	ELC10D100E	10			0.026	3.9
	ELC10D120E	12			0.028	3.8
	ELC10D150E	15			0.033	3.5
	ELC10D180E	18			0.036	3.4
	ELC10D220E	22			0.040	3.2
	ELC10D270E	27			0.044	3.0
	ELC10D330E	33			0.051	2.8
	ELC10D390E	39	0.054		2.7	
	ELC10D470E	47	0.060		2.5	
	ELC10D560E	56	0.067		2.3	
	ELC10D680E	68	0.075		2.1	
	ELC10D820E	82	0.095		1.8	
	ELC10D101E	100	0.11		1.7	
	ELC10D121E	120	0.12		1.6	
	ELC10D151E	150	0.16		1.4	
	ELC10D181E	180	0.18		1.3	
	ELC10D221E	220	0.21		1.1	
	ELC10D271E	270	0.28		1.0	
	ELC10D331E	330	0.32		0.90	
	ELC10D391E	390	0.40		0.80	
	ELC10D471E	470	0.45		0.70	
	ELC10D561E	560	0.56		0.68	
	ELC10D681E	680	0.66		0.64	
	ELC10D821E	820	0.80		0.55	
	ELC10D102E	1000	1.0		0.50	
	ELC10D122E	1200	1.2		0.45	
	ELC10D152E	1500	1.5		0.42	
	ELC10D182E	1800	1.8		0.40	
	ELC10D222E	2200	2.1		0.36	
	ELC10D272E	2700	2.7		0.32	
	ELC10D332E	3300	3.2		0.28	
ELC10D392E	3900	3.5	0.26			

\*Allowable DC Current:Smaller current value either when the inductance of -10 %max. changed, or when the temperaturer of 45k max. rised.

## ■ Examples Type 16B

Type	Part No.	Inductance (μH)	Tolerance (%)	Test Freq. (kHz)	[at 20°C] *DCR. (Ω±30%) (Ω±20%)	**[at 20°C] IDC. (Amax.)
16B	ELC16B3R3L	3.3	±25	10	*0.012	8.5
	ELC16B3R9L	3.9			*0.013	8.0
	ELC16B4R7L	4.7			*0.015	7.8
	ELC16B5R6L	5.6	*0.016		7.4	
	ELC16B6R8L	6.8	±20		0.018	6.7
	ELC16B8R2L	8.2			0.019	6.1
	ELC16B100L	10			0.022	5.6
	ELC16B120L	12			0.023	5.5
	ELC16B150L	15			0.026	5.4
	ELC16B180L	18			0.028	5.1
	ELC16B220L	22			0.031	4.6
	ELC16B270L	27			0.034	4.3
	ELC16B330L	33			0.039	4.0
	ELC16B390L	39			0.042	3.9
	ELC16B470L	47	0.045		3.8	
	ELC16B560L	56	0.051		3.4	
	ELC16B680L	68	0.057		3.2	
	ELC16B820L	82	0.064		3.0	
	ELC16B101L	100	0.072		2.6	
	ELC16B121L	120	0.080		2.5	
	ELC16B151L	150	0.103		2.2	
	ELC16B181L	180	0.115		2.1	
	ELC16B221L	220	0.13		1.9	
	ELC16B271L	270	0.17		1.6	
	ELC16B331L	330	0.20		1.5	
	ELC16B391L	390	0.25		1.3	
	ELC16B471L	470	0.28		1.2	
	ELC16B561L	560	0.38		1.1	
	ELC16B681L	680	0.43		1.0	
	ELC16B821L	820	0.58		0.88	
	ELC16B102L	1000	0.66		0.85	
	ELC16B122L	1200	0.74		0.82	
	ELC16B152L	1500	0.87		0.74	
	ELC16B182L	1800	1.22		0.60	
	ELC16B222L	2200	1.38		0.57	
	ELC16B272L	2700	1.57		0.54	
	ELC16B332L	3300	2.0		0.47	
	ELC16B392L	3900	2.4		0.42	
	ELC16B472L	4700	3.3		0.36	
	ELC16B562L	5600	3.7		0.34	
ELC16B682L	6800	4.2	0.32			
ELC16B822L	8200	5.6	0.28			
ELC16B103L	10000	6.4	0.26			
ELC16B123L	12000	7.3	0.24			

\*Refer to former page

Design, Specifications are subject to change without notice. Ask factory for technical specifications before purchase and/or use. Whenever a doubt about safety arises from this product, please inform us immediately for technical consultation without fail.

## ■ Examples Type 18B

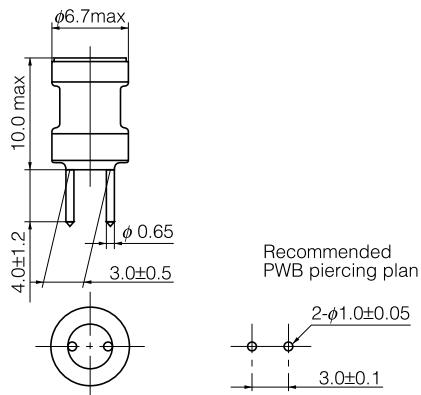
Type	Part No.	Inductance ( $\mu\text{H}$ )	Tolerance (%)	Test Freq. (kHz)	[at 20°C] *DCR. ( $\Omega \pm 20\%$ )	**[at 20°C] IDC. (Amax.)
18B	ELC18B3R3L	3.3	±20	10	0.010	8.5
	ELC18B3R9L	3.9			0.011	8.0
	ELC18B4R7L	4.7			0.012	7.8
	ELC18B5R6L	5.6			0.013	7.4
	ELC18B6R8L	6.8			0.015	6.8
	ELC18B8R2L	8.2			0.016	6.6
	ELC18B100L	10			0.017	6.5
	ELC18B120L	12			0.018	6.0
	ELC18B150L	15			0.021	5.9
	ELC18B180L	18			0.022	5.6
	ELC18B220L	22	±10		0.025	5.4
	ELC18B270L	27			0.028	4.8
	ELC18B330L	33			0.030	4.6
	ELC18B390L	39			0.033	4.4
	ELC18B470L	47			0.037	4.3
	ELC18B560L	56			0.040	4.2
	ELC18B680L	68			0.046	4.0
	ELC18B820L	82			0.051	3.7
	ELC18B101L	100			0.057	3.2
	ELC18B121L	120			0.065	3.0
	ELC18B151L	150			0.072	2.7
	ELC18B181L	180			0.082	2.6
	ELC18B221L	220			0.090	2.4
	ELC18B271L	270			0.11	2.2
	ELC18B331L	330			0.13	1.9
	ELC18B391L	390			0.15	1.8
	ELC18B471L	470			0.21	1.6
	ELC18B561L	560			0.23	1.5
	ELC18B681L	680			0.26	1.4
	ELC18B821L	820			0.34	1.3
	ELC18B102L	1000			0.39	1.1
	ELC18B122L	1200			0.44	1.0
	ELC18B152L	1500			0.58	0.85
	ELC18B182L	1800			0.65	0.84
	ELC18B222L	2200			0.88	0.75
	ELC18B272L	2700			1.2	0.68
	ELC18B332L	3300			1.4	0.60
	ELC18B392L	3900			1.5	0.57
	ELC18B472L	4700			1.7	0.55
	ELC18B562L	5600			2.2	0.46
ELC18B682L	6800	2.8	0.45			
ELC18B822L	8200	3.1	0.41			
ELC18B103L	10000	3.9	0.36			

\*Refer to former page

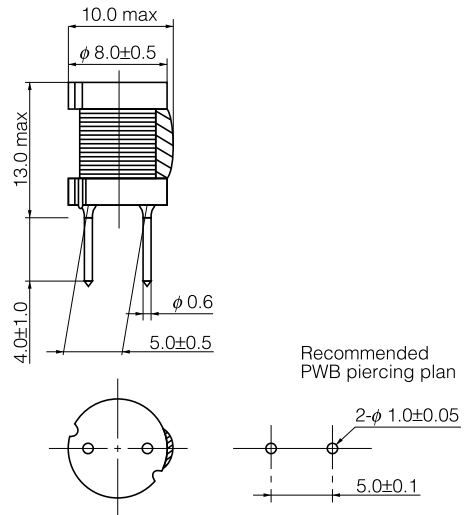
Design, Specifications are subject to change without notice. Ask factory for technical specifications before purchase and/or use. Whenever a doubt about safety arises from this product, please inform us immediately for technical consultation without fail.

■ Dimensions in mm (not to scale)

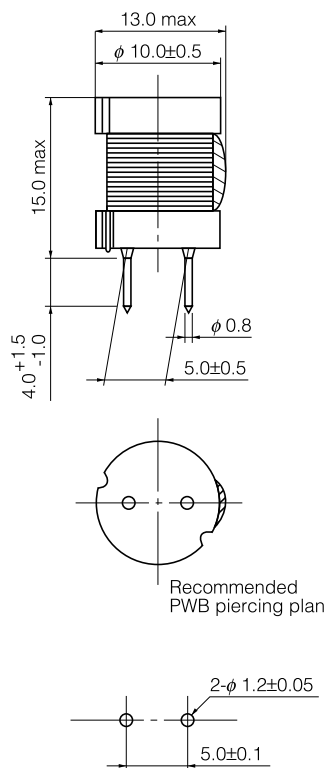
● Type 06D



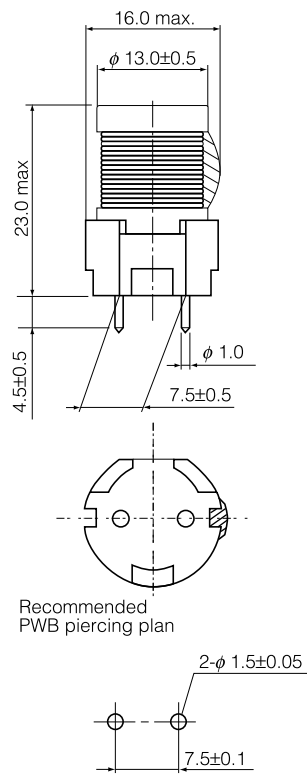
● Type 08D



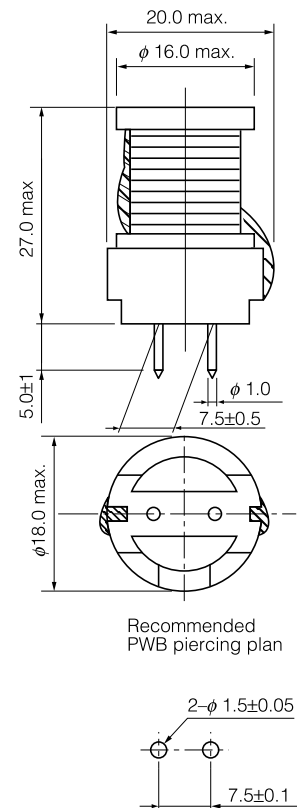
● Type 10D



● Type 16B



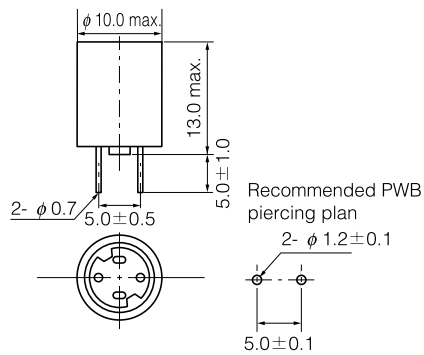
● Type 18B



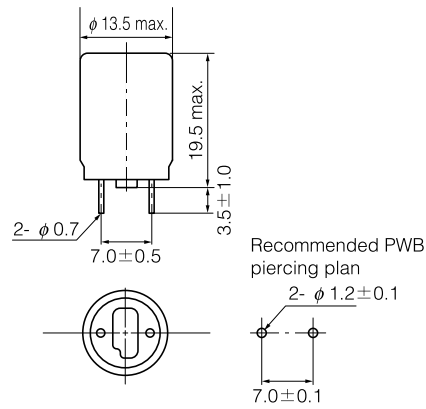
Design, Specifications are subject to change without notice. Ask factory for technical specifications before purchase and/or use. Whenever a doubt about safety arises from this product, please inform us immediately for technical consultation without fail.

## ■ Dimensions in mm (not to scale)

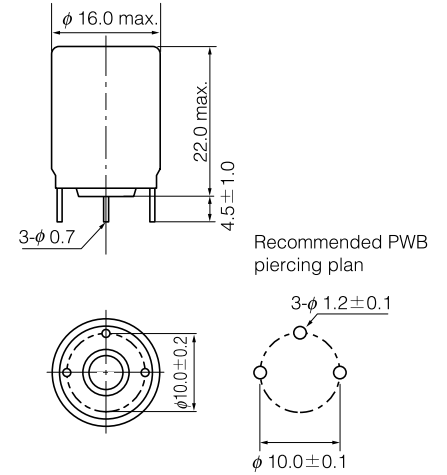
### ● Type 10E



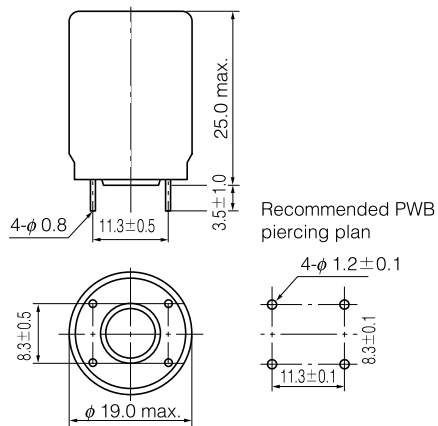
### ● Type 12E



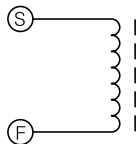
### ● Type 16E



### ● Type 18E



## ■ Connection Schematic





## X-ON Electronics

Largest Supplier of Electrical and Electronic Components

*Click to view similar products for [Fixed Inductors](#) category:*

*Click to view products by [Panasonic](#) manufacturer:*

Other Similar products are found below :

[CR43NP-680KC](#) [CR54NP-820KC](#) [CR54NP-8R5MC](#) [CTX32CT-100](#) [70F224AI](#) [MGDQ4-00004-P](#) [MHL1ECTTP18NJ](#) [MHL1JCTTD12NJ](#)  
[PE-51506NL](#) [PE-53601NL](#) [PE-53602NL](#) [PE-53630NL](#) [PE-53824SNLT](#) [PE-62892NL](#) [PE-92100NL](#) [PG0434.801NLT](#) [PG0936.113NLT](#)  
[9310-16](#) [PM06-2N7](#) [PM06-39NJ](#) [A01TK](#) [1206CS-471XJ](#) [HC2-2R2TR](#) [HC2LP-R47-R](#) [HC3-2R2-R](#) [HCF1305-3R3-R](#) [1206CS-151XG](#)  
[RCH664NP-140L](#) [RCH664NP-4R7M](#) [RCH8011NP-221L](#) [RCP1317NP-332L](#) [RCP1317NP-391L](#) [RCR1010NP-470M](#) [RCR110DNP-331L](#)  
[DH2280-4R7M](#) [DS1608C-106](#) [ASPI-4020HI-R10M-T](#) [B10TJ](#) [B82477P4333M](#) [B82498B3101J000](#) [B82498B3680J000](#) [ELJ-RE27NJF2](#)  
[1812CS-153XJ](#) [1812CS-183XJ](#) [1812CS-223XJ](#) [1812LS-104XJ](#) [1812LS-105XJ](#) [1812LS-124XJ](#) [1812LS-154XJ](#) [1812LS-223XJ](#)