

Voltage Step-up Coils

Series: **Chip**
Type: **5KT**



ELT5KT

High inductance, low profile choke coil

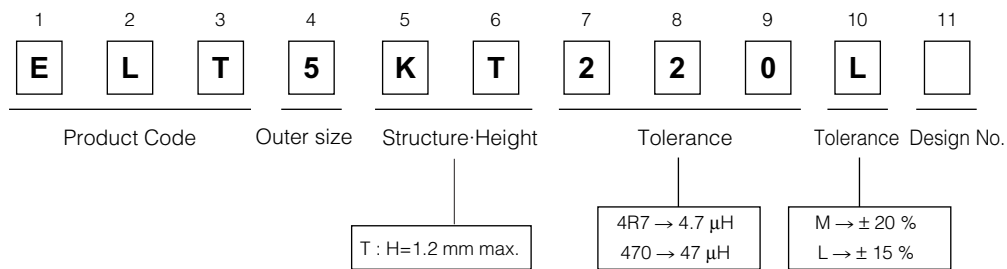
■ Features

- Low profile (H=1.2 mm max.)
- High saturation current characteristics

■ Recommended Applications

- DC-DC converter circuitry for LCD driver circuits
- DC-DC converter circuitry for low profile DC-DC equipment

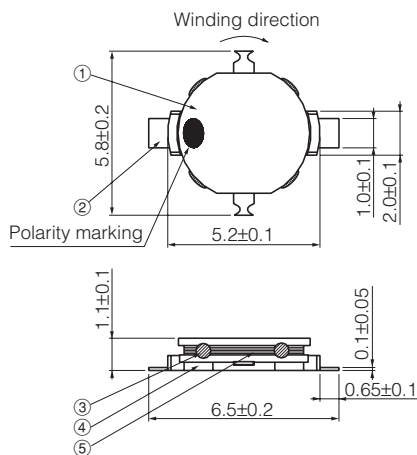
■ Explanation of Part Numbers



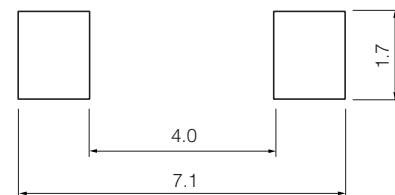
■ Standard Packing Quantity

- 5000 pcs./Reel

■ Dimensions in mm (not to scale)



■ Recommended Land Pattern in mm (not to scale)



Part Name: ① Core ② Terminal ③ Adhesive ④ Terminal board ⑤ Coil

■ Standard Parts

Part No.	Inductance			R. D. C (at 25 °C)		DC Current (at 25 °C) (mA)max. *	Maximum DC Current (at 25 °C) (mA)max. **
	(μH)	Tolerance(%)	Test Freq. (kHz)	(Ω)	Tolerance(%)		
ELT5KT3R3MB	3.3	±20	100	0.17	± 20	1000	1250
ELT5KT4R7MB	4.7			0.20		950	1000
ELT5KT6R8MB	6.8			0.30		760	850
ELT5KT100MC	10.0			0.36		680	680
ELT5KT150LB	15.0	±15		0.58		510	540
ELT5KT220LB	22.0			0.90		420	480
ELT5KT330LB	33.0			1.20		360	380
ELT5KT470LB	47.0			1.70		300	320
ELT5KT680LB	68.0			2.60		260	260
ELT5KT101LB	100.0			4.30		190	210

* DC Current : Current value measured before a temperature rise of the coil reaches a maximum of 40 °C

** Maximum DC Current : Current value when the inductance typically changes -5 % from its original value

X-ON Electronics

Largest Supplier of Electrical and Electronic Components

Click to view similar products for [Fixed Inductors](#) category:

Click to view products by [Panasonic](#) manufacturer:

Other Similar products are found below :

[CR43NP-680KC](#) [CR54NP-820KC](#) [CR54NP-8R5MC](#) [CTX32CT-100](#) [70F224AI](#) [MGDQ4-00004-P](#) [MHL1ECTTP18NJ](#) [MHL1JCTTD12NJ](#)
[PE-51506NL](#) [PE-53601NL](#) [PE-53602NL](#) [PE-53630NL](#) [PE-53824SNLT](#) [PE-62892NL](#) [PE-92100NL](#) [PG0434.801NLT](#) [PG0936.113NLT](#)
[9310-16](#) [PM06-2N7](#) [PM06-39NJ](#) [A01TK](#) [1206CS-471XJ](#) [HC2-2R2TR](#) [HC2LP-R47-R](#) [HC3-2R2-R](#) [HCF1305-3R3-R](#) [1206CS-151XG](#)
[RCH664NP-140L](#) [RCH664NP-4R7M](#) [RCH8011NP-221L](#) [RCP1317NP-332L](#) [RCP1317NP-391L](#) [RCR1010NP-470M](#) [RCR110DNP-331L](#)
[DH2280-4R7M](#) [DS1608C-106](#) [ASPI-4020HI-R10M-T](#) [B10TJ](#) [B82477P4333M](#) [B82498B3101J000](#) [B82498B3680J000](#) [ELJ-RE27NJF2](#)
[1812CS-153XJ](#) [1812CS-183XJ](#) [1812CS-223XJ](#) [1812LS-104XJ](#) [1812LS-105XJ](#) [1812LS-124XJ](#) [1812LS-154XJ](#) [1812LS-223XJ](#)