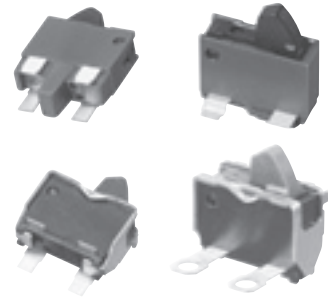


ESE22 Detector Switches

Type: **ESE22**



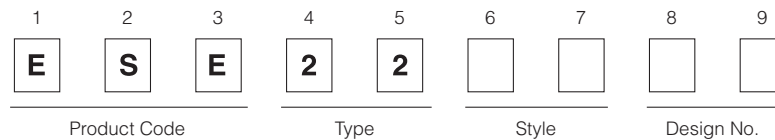
■ Features

- Can be operated with different actuation angles (horizontally and vertically)
- Reflow soldering
- Light operating force

■ Recommended Applications

- Detection of media in portable electronic equipment

■ Explanation of Part Numbers

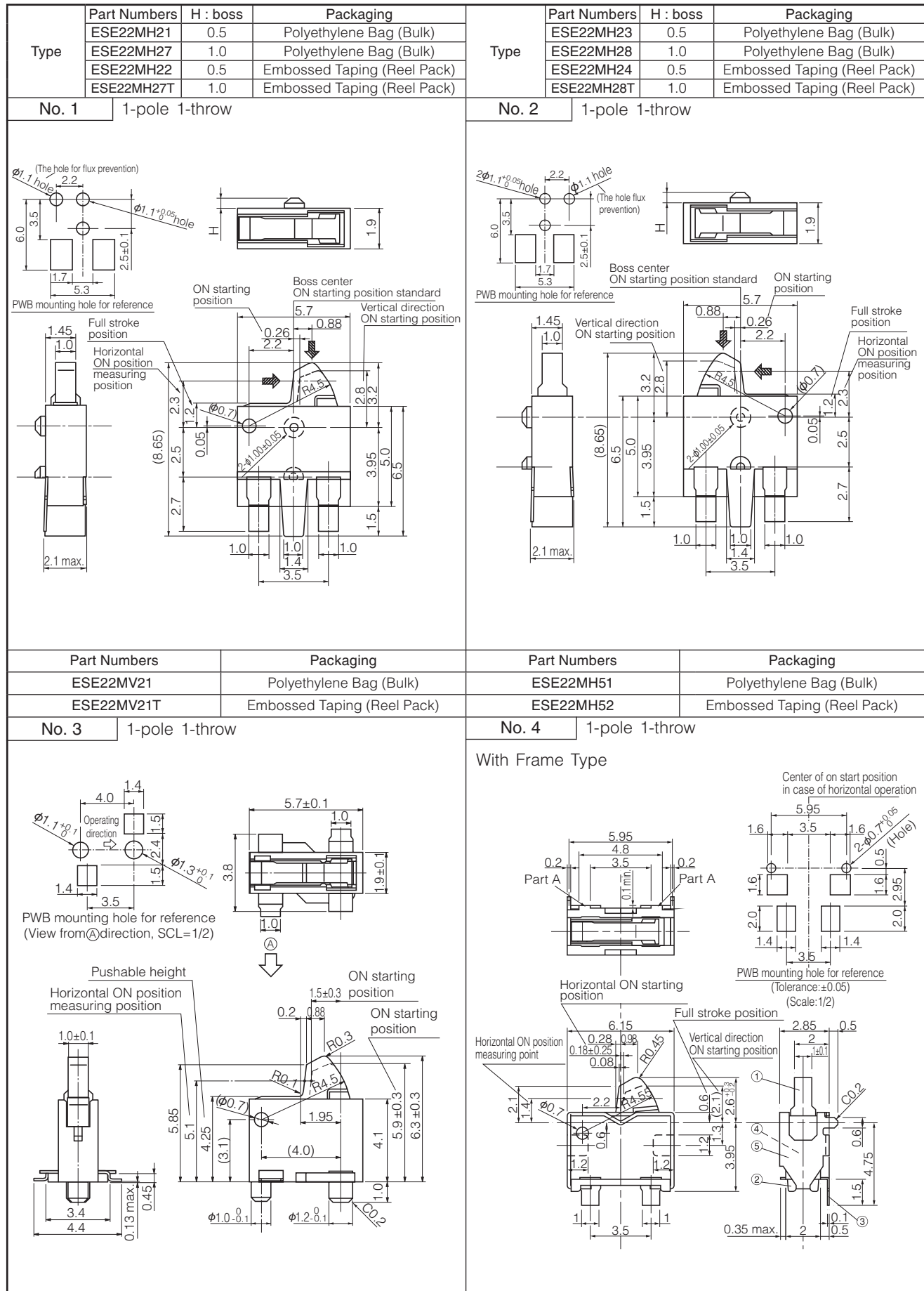


■ Specifications

Rating	50 μ A 3 V DC to 10 mA 5 V DC (Resistive load)
Contact Resistance	500 m Ω max. (Initial)
Insulation Resistance	100 M Ω min. (at 100 V DC for 1 minute)
Dielectric Withstanding Voltage	100 V AC (50 Hz or 60 Hz) for 1 minute
Operating Force	290 mN max.
Mounting Height	<ul style="list-style-type: none"> · ESE22MV Type 4.1 mm · ESE22MH Type 2.1 mm · ESE22MH Type with Frame 2.85 mm
Poles and Throws	1-pole 1-throw
Full Travel (Pushing distance)	<ul style="list-style-type: none"> · ESE22MV Type 4.25 mm(2.05 mm) · ESE22MH Type 1.2 mm(2.0 mm) · ESE22MH Type with Frame 0.6 mm(2.0 mm)
Operating Life	50,000 cycles min.
Temperature Range	-10 °C to +70 °C (Standard), -40 °C to +85 °C (Automotive)
Heat Resistance	+80 °C for 96 hours
Low Temperature Resistance	-25 °C for 96 hours
Humidity Resistance	+40 °C 90 % to 95 % RH for 96 hours
Minimum Quantity/Packing Unit	500 pcs. Polyethylene Bag (Bulk)
	<ul style="list-style-type: none"> · ESE22MV Type 1,000 pcs. Embossed Taping (Reel Pack) · ESE22MH Type with Frame 3,000 pcs. Embossed Taping (Reel Pack) · ESE22MH Type 4,000 pcs. Embossed Taping (Reel Pack)
	10,000 pcs. Polyethylene Bag (Bulk)
Quantity/Carton	10,000 pcs. Polyethylene Bag (Bulk)
	<ul style="list-style-type: none"> · ESE22MV Type 6,000 pcs. Embossed Taping (Reel Pack) · ESE22MH Type with Frame 18,000 pcs. Embossed Taping (Reel Pack) · ESE22MH Type 24,000 pcs. Embossed Taping (Reel Pack)
	10,000 pcs. Polyethylene Bag (Bulk)

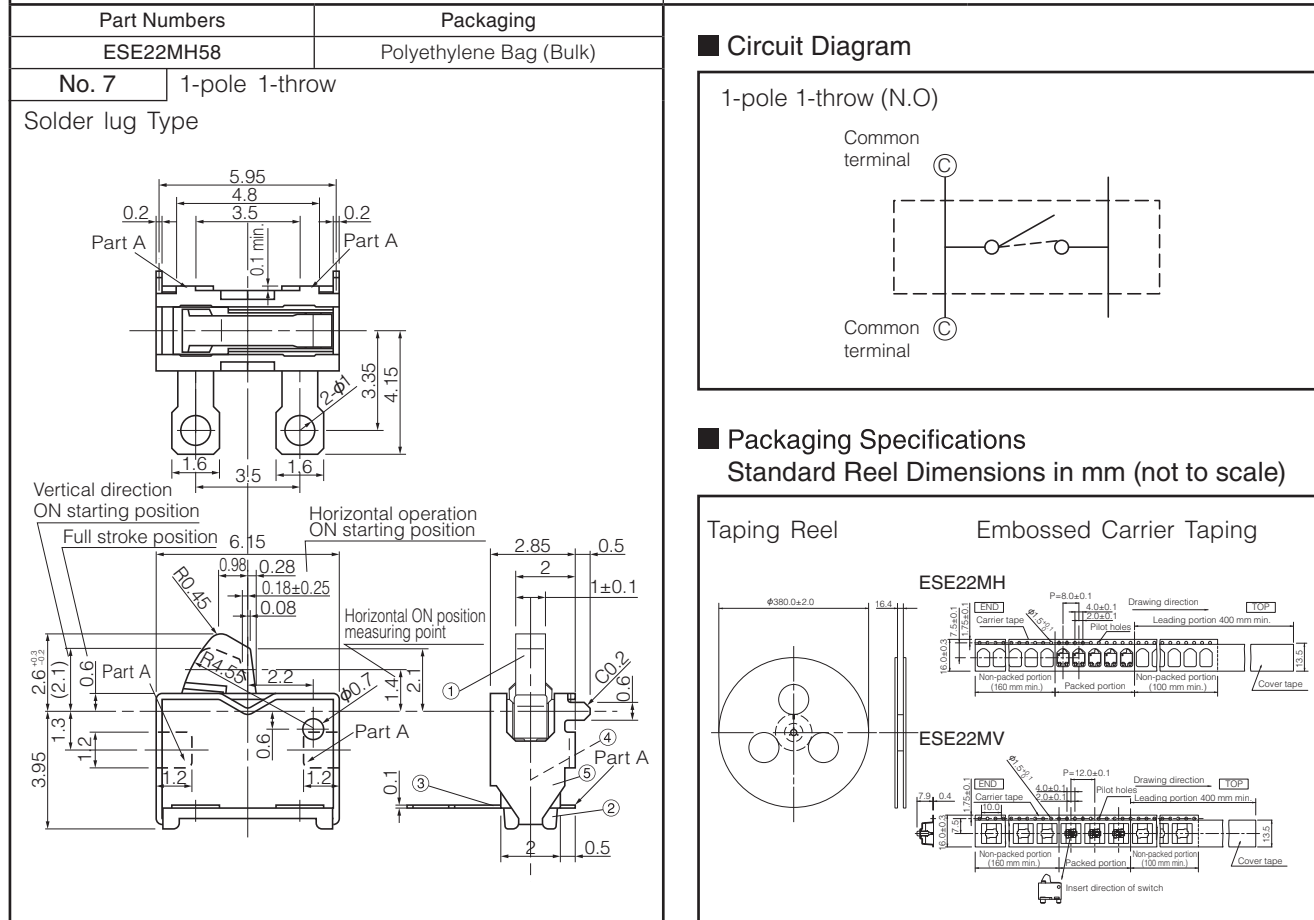
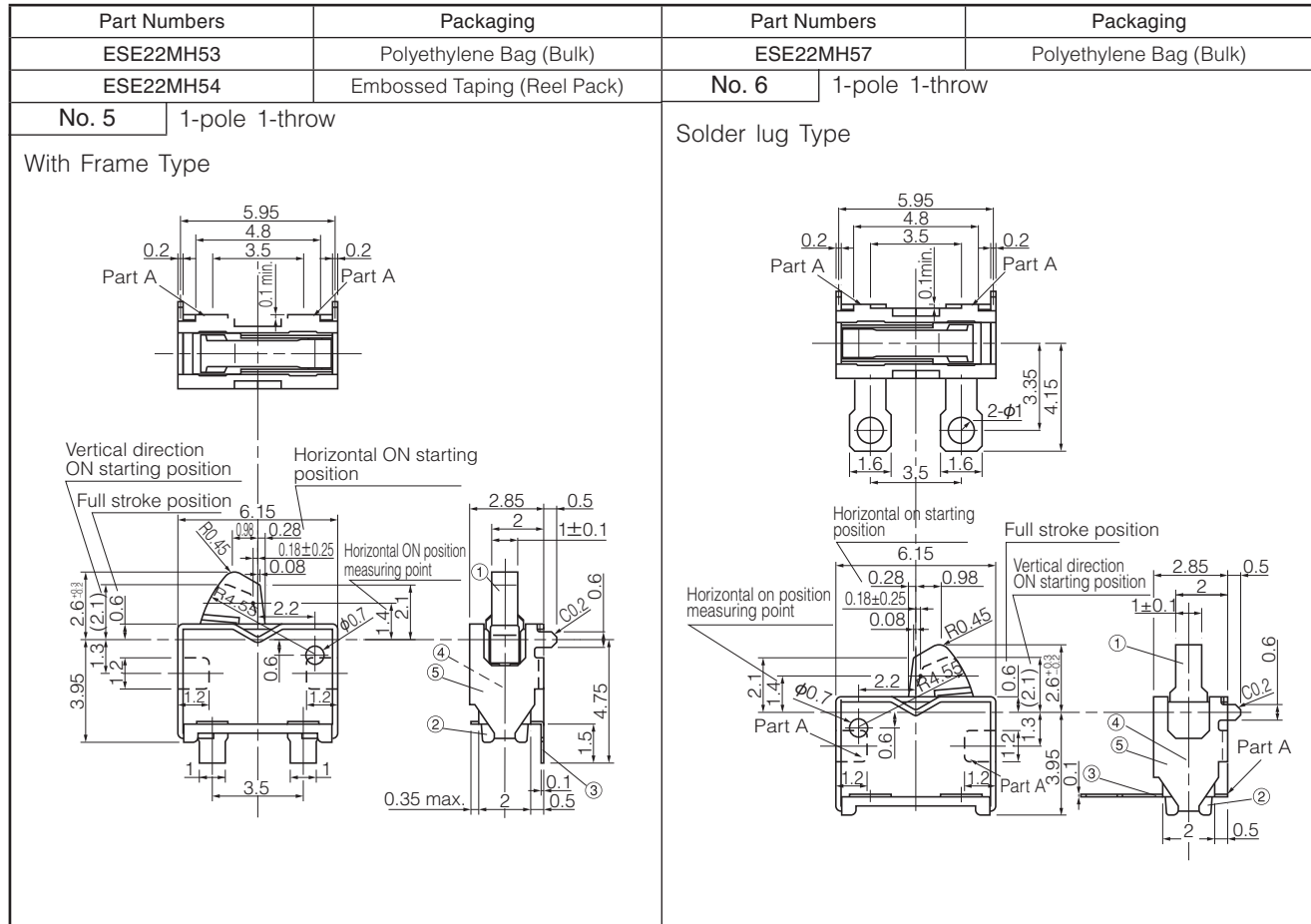
Design and specifications are each subject to change without notice. Ask factory for the current technical specifications before purchase and/or use. Should a safety concern arise regarding this product, please be sure to contact us immediately.

■ Dimensions in mm (not to scale)



Design and specifications are each subject to change without notice. Ask factory for the current technical specifications before purchase and/or use. Should a safety concern arise regarding this product, please be sure to contact us immediately.

■ Dimensions in mm (not to scale)



Design and specifications are each subject to change without notice. Ask factory for the current technical specifications before purchase and/or use. Should a safety concern arise regarding this product, please be sure to contact us immediately.

X-ON Electronics

Largest Supplier of Electrical and Electronic Components

Click to view similar products for [Detector Switches](#) category:

Click to view products by [Panasonic](#) manufacturer:

Other Similar products are found below :

[E3S-LS5C4S](#) [SPVQ850300](#) [21075-6](#) [SPVQ860100](#) [K2CU-F20A-F AC220](#) [D3DM0005H](#) [D3DM0001E](#) [D3DM0003A](#) [HARB0012](#) [PP2-7H1-2D2](#) [PP1-FB7-2D2](#) [PP2-7U1-2B2](#) [PP1-ET7-2B2](#) [MR1000AWA](#) [MR1000BWA](#) [ESE-24SH6](#) [ESE-31R11T](#) [ESE-23F101](#) [ESE-13V01D](#) [ESE-13V01C](#) [ESE-13V01A](#) [ESE-13H01B](#) [ESE-11MH1T](#) [ESE-11MH2T](#) [ESE-11MV1](#) [ESE-31L11T](#) [HDS001R](#) [SPVL110102](#) [ESE-13V01B](#) [ESE-23J101](#) [SPPW811200](#) [ESE-58R61B](#) [SPVQ361300](#) [ESE-58R11B](#) [SPVT210201](#) [SPVL120101](#) [ESE-24CMV9T](#) [DS080](#) [DS0900502RP](#) [T0-SCB22MP1NC1](#) [T0-SCB22MP1NSX](#) [ESE-11SH5](#) [ESE-13H01A](#) [ESE-13H01C](#) [ESE-13H01D](#) [ESE-18R63D](#) [ESE-24CMH6T](#) [SPVN210101](#) [SPPB110300](#) [SPPB120200](#)