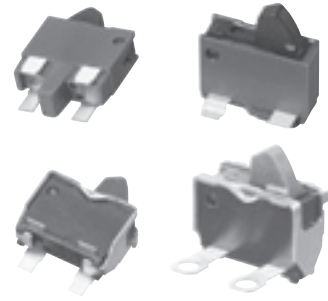


### ESE22 Detector Switches

Type: **ESE22**



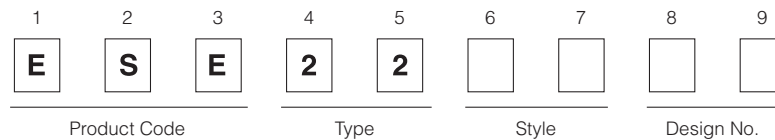
#### ■ Features

- Can be operated with different actuation angles (horizontally and vertically)
- Reflow soldering
- Light operating force

#### ■ Recommended Applications

- Detection of media in portable electronic equipment

#### ■ Explanation of Part Numbers



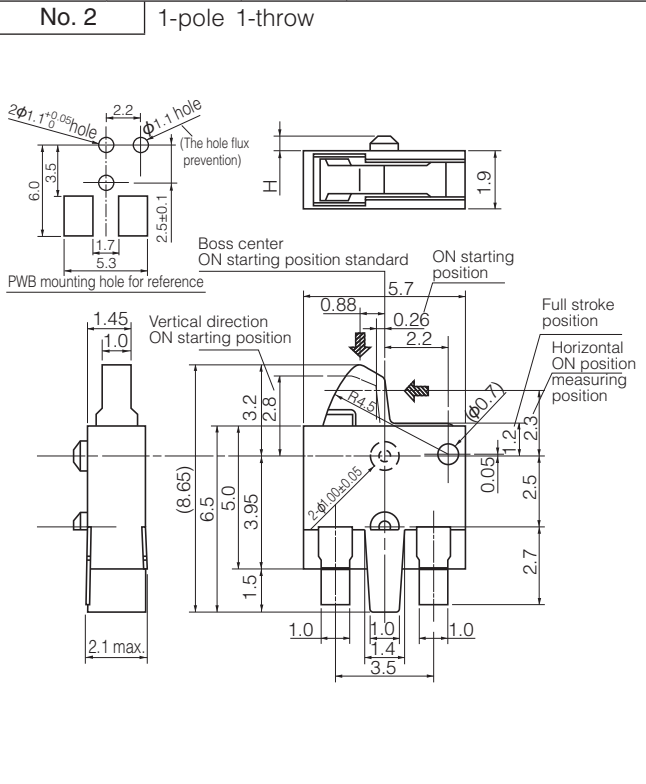
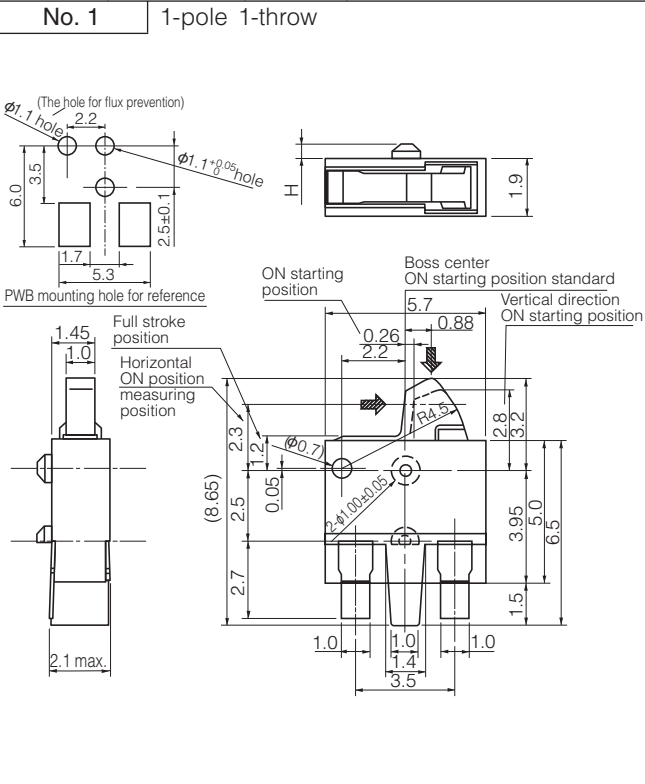
#### ■ Specifications

Rating	50 $\mu$ A 3 V DC to 10 mA 5 V DC (Resistive load)	
Contact Resistance	500 m $\Omega$ max. (Initial)	
Insulation Resistance	100 M $\Omega$ min. (at 100 V DC for 1 minute)	
Dielectric Withstanding Voltage	100 V AC (50 Hz or 60 Hz) for 1 minute	
Operating Force	290 mN max.	
Mounting Height	<ul style="list-style-type: none"> <li>· ESE22MV Type 4.1 mm</li> <li>· ESE22MH Type with Frame 2.85 mm</li> </ul>	<ul style="list-style-type: none"> <li>· ESE22MH Type 2.1 mm</li> </ul>
Poles and Throws	1-pole 1-throw	
Full Travel (Pushing distance)	<ul style="list-style-type: none"> <li>· ESE22MV Type 4.25 mm(2.05 mm)</li> <li>· ESE22MH Type with Frame 0.6 mm(2.0 mm)</li> </ul>	<ul style="list-style-type: none"> <li>· ESE22MH Type 1.2 mm(2.0 mm)</li> </ul>
Operating Life	50,000 cycles min.	
Temperature Range	-10 $^{\circ}$ C to +70 $^{\circ}$ C (Standard), -40 $^{\circ}$ C to +85 $^{\circ}$ C (Automotive)	
Heat Resistance	+80 $^{\circ}$ C for 96 hours	
Low Temperature Resistance	-25 $^{\circ}$ C for 96 hours	
Humidity Resistance	+40 $^{\circ}$ C 90 % to 95 % RH for 96 hours	
Minimum Quantity/Packing Unit	500 pcs. Polyethylene Bag (Bulk)	
	<ul style="list-style-type: none"> <li>· ESE22MV Type 1,000 pcs. Embossed Taping (Reel Pack)</li> <li>· ESE22MH Type with Frame 3,000 pcs. Embossed Taping (Reel Pack)</li> <li>· ESE22MH Type 4,000 pcs. Embossed Taping (Reel Pack)</li> </ul>	
	10,000 pcs. Polyethylene Bag (Bulk)	
Quantity/Carton	10,000 pcs. Polyethylene Bag (Bulk)	
	<ul style="list-style-type: none"> <li>· ESE22MV Type 6,000 pcs. Embossed Taping (Reel Pack)</li> <li>· ESE22MH Type with Frame 18,000 pcs. Embossed Taping (Reel Pack)</li> <li>· ESE22MH Type 24,000 pcs. Embossed Taping (Reel Pack)</li> </ul>	

Design and specifications are each subject to change without notice. Ask factory for the current technical specifications before purchase and/or use. Should a safety concern arise regarding this product, please be sure to contact us immediately.

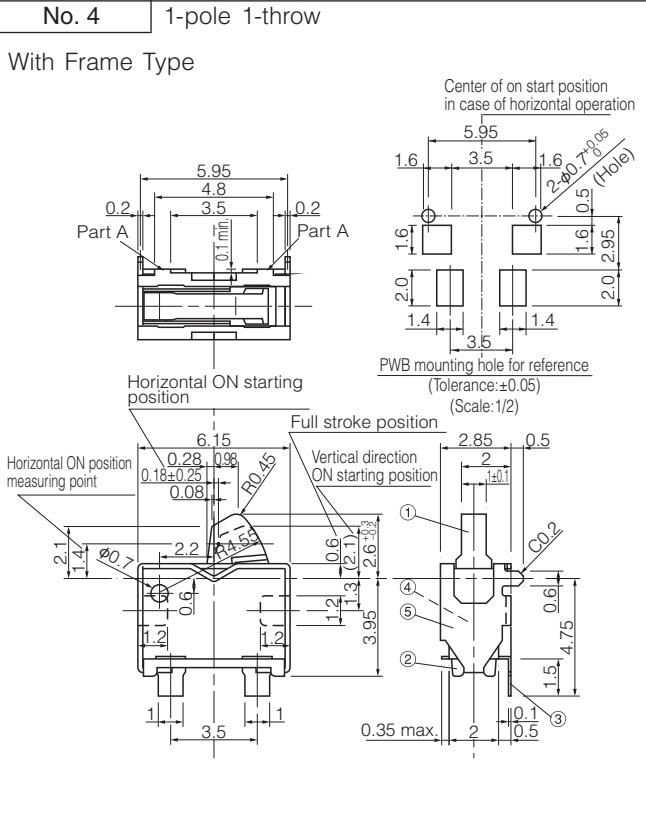
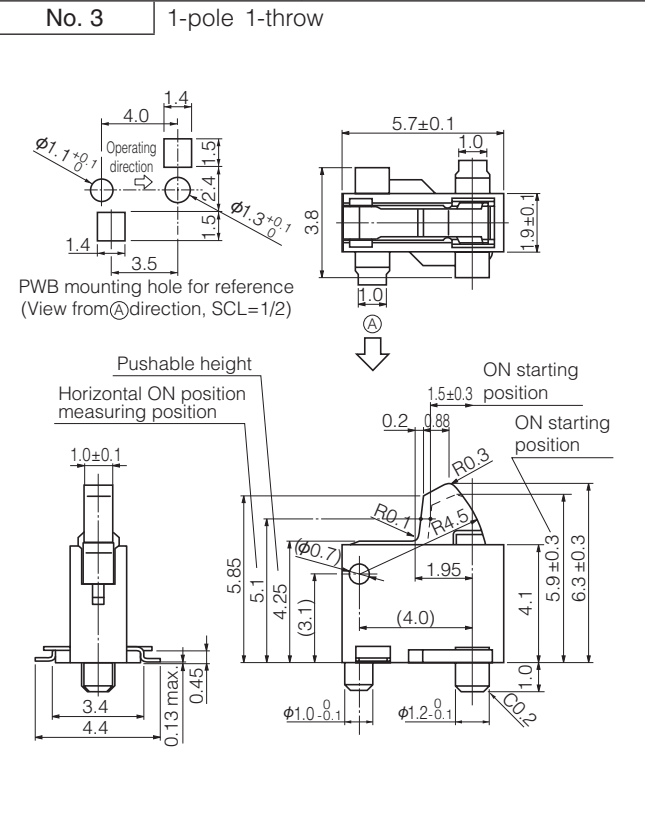
■ Dimensions in mm (not to scale)

Type	Part Numbers	H : boss	Packaging	Type	Part Numbers	H : boss	Packaging
	ESE22MH21	0.5	Polyethylene Bag (Bulk)		ESE22MH23	0.5	Polyethylene Bag (Bulk)
ESE22MH27	1.0	Polyethylene Bag (Bulk)	ESE22MH28	1.0	Polyethylene Bag (Bulk)		
ESE22MH22	0.5	Embossed Taping (Reel Pack)	ESE22MH24	0.5	Embossed Taping (Reel Pack)		
ESE22MH27T	1.0	Embossed Taping (Reel Pack)	ESE22MH28T	1.0	Embossed Taping (Reel Pack)		



Part Numbers	Packaging	Part Numbers	Packaging
ESE22MV21	Polyethylene Bag (Bulk)	ESE22MH51	Polyethylene Bag (Bulk)
ESE22MV21T	Embossed Taping (Reel Pack)	ESE22MH52	Embossed Taping (Reel Pack)

Part Numbers	Packaging	Part Numbers	Packaging
ESE22MH21	Polyethylene Bag (Bulk)	ESE22MH51	Polyethylene Bag (Bulk)
ESE22MH27	Polyethylene Bag (Bulk)	ESE22MH52	Embossed Taping (Reel Pack)



Design and specifications are each subject to change without notice. Ask factory for the current technical specifications before purchase and/or use. Should a safety concern arise regarding this product, please be sure to contact us immediately.

Dimensions in mm (not to scale)

Part Numbers	Packaging	Part Numbers	Packaging
ESE22MH53	Polyethylene Bag (Bulk)	ESE22MH57	Polyethylene Bag (Bulk)
ESE22MH54	Embossed Taping (Reel Pack)	No. 6	1-pole 1-throw

Part Numbers	Packaging
No. 5	1-pole 1-throw

With Frame Type

Part Numbers	Packaging
No. 6	1-pole 1-throw

Solder lug Type

Part Numbers	Packaging
ESE22MH58	Polyethylene Bag (Bulk)

No. 7 1-pole 1-throw

Solder lug Type

■ Circuit Diagram

1-pole 1-throw (N.O)

■ Packaging Specifications

Standard Reel Dimensions in mm (not to scale)

Taping Reel

Embossed Carrier Taping

Design and specifications are each subject to change without notice. Ask factory for the current technical specifications before purchase and/or use. Should a safety concern arise regarding this product, please be sure to contact us immediately.

## X-ON Electronics

Largest Supplier of Electrical and Electronic Components

*Click to view similar products for [Pushbutton Switches](#) category:*

*Click to view products by [Panasonic](#) manufacturer:*

Other Similar products are found below :

[8971K1133](#) [LW2L-M1C20M-A](#) [01-153.025](#) [M22-D-R-GB0/K11](#) [67021K512](#) [701PB580](#) [7199K101](#) [810K12910](#) [810KSV30B](#) [FLT 2U EE](#)  
[01A](#) [MML21EA2ADK](#) [MML21KA3ABK](#) [MML23KW3AA01W](#) [8418K2](#) [8442K3](#) [8450K1](#) [860K11911T01A](#) [861901](#) [861K11911T01A07](#)  
[861K13810T00A14](#) [861K13911](#) [8646AB6X718UL](#) [9533CD4+U574+U4922](#) [99-450.837](#) [99-453.837](#) [A2PMA1X03EC56](#) [A3A-7310](#) [A3A-](#)  
[7340](#) [12037A2ULCSA](#) [1203A2UL](#) [ABGW410-R](#) [1211390004](#) [ABN400-R](#) [121382](#) [1213C3](#) [HE3B-M2](#) [1211500044](#) [121194](#) [1212MRA](#)  
[1232A6NF](#) [121489](#) [1223A2ULCSA](#) [D5P-MT4](#) [13435AG](#) [13445AD29GX768](#) [AG23-L2](#) [AH165-2SGLG1TE3](#) [AH165-TGFY22](#) [AH165-](#)  
[TGL5Y11E3](#) [AH165-TGLR11AA3](#)