

Mono Faders for Audio Mixers

Japan

Type: **EVANF/EVANE**

■ Features

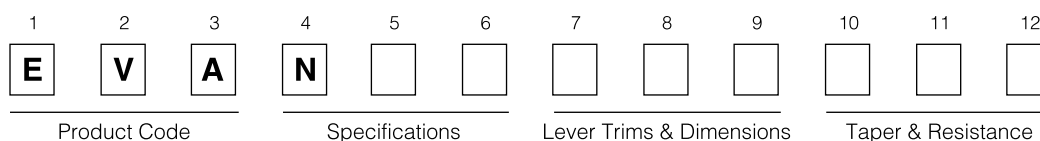
- Slim-type fader series: Width=9.0 mm, Height=8.0 mm
- Excellent cost performance available for audio mixers for amateur use

■ Recommended Applications

- Fade control for Audio Mixers (popular type)
- MTR (Multi-track recorders)
- Paper position sensors (detectors) for PPC



■ Explanation of Part Numbers



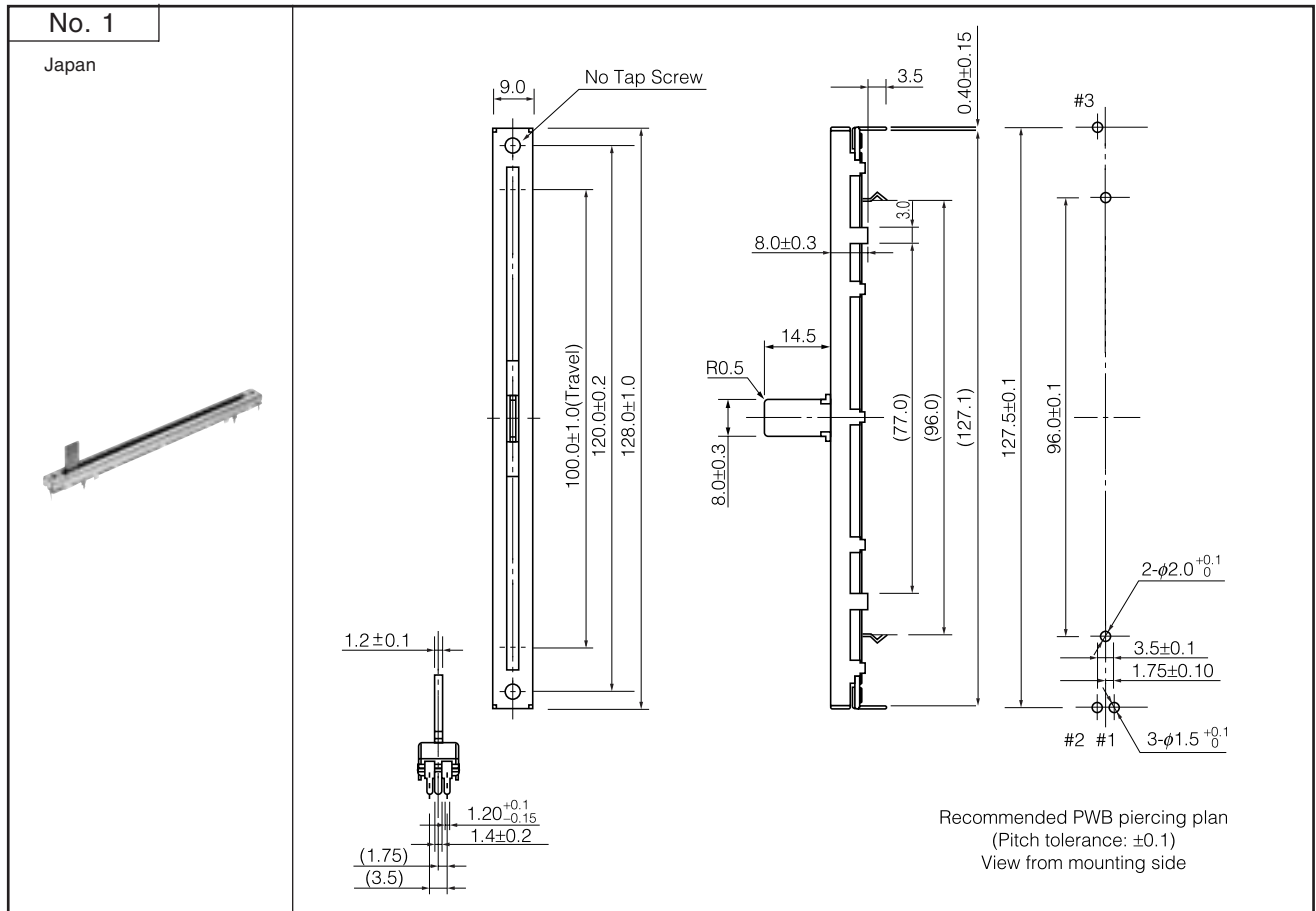
■ Major Specifications

		Taper B	Others
Power Rating	100.0 mm Type	0.5 W	0.25 W
	60.0 mm Type	0.2 W	0.1 W
	Max. Operating Voltage: 30 Vac max.		
Standard Resistance*	5 kΩ, 10 kΩ, 20 kΩ		
Taper*	A, B, D, Y		
Maximum Attenuation	100 dB min. (Except taper B)		
Operating Force	0.1 N to 1.0 N		
Operating Life	50000 cycles min.		
Minimum Quantity/Packing Unit	100 pcs. (Tray Pack)		
Quantity/Carton	500 pcs.		

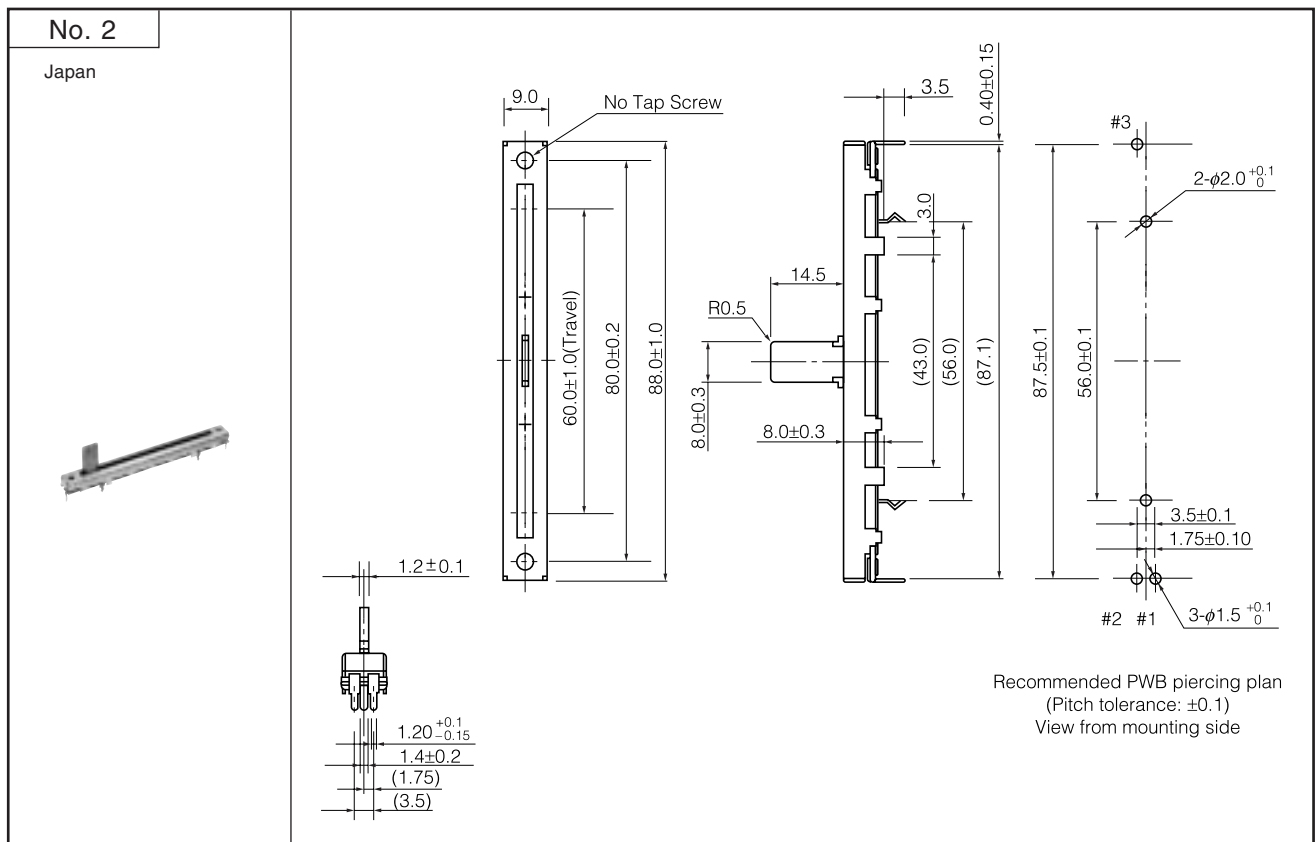
Note: Customer's design for Lever Shape can be also negotiable.

■ Dimensions in mm (not to scale)

● 100.0 mm Travel, Single EVANF



● 60.0 mm Travel, Single EVANE



X-ON Electronics

Largest Supplier of Electrical and Electronic Components

Click to view similar products for [Slide Potentiometers](#) category:

Click to view products by [Panasonic](#) manufacturer:

Other Similar products are found below :

[M22](#) [MHS133K](#) [MSS12A](#) [MSSA22](#) [M42A](#) [MSS42G](#) [SS-4928](#) [RSA0K11A901L](#) [SLB124145](#) [SLB1340R45](#) [RA6020F-10-20D1-B50K](#)
[RA4520F-10-20D1-B50K](#) [TSS11AGPC](#) [X22205CAAF](#) [448XC2103BDN](#) [X22205A-437W](#) [T22205BAAE](#) [SS-22J08-G5](#) [X22205AAAL](#)
[K22208EAAG](#) [PS15-10PC1BR10K](#) [1101M1S3ZQI2](#) [1201M1S1ZBE2](#) [1101M2S4AGE2](#) [1101M2S6ABE2](#) [1201M1S3ZBE2](#) [EVA-](#)
[JQKR15Y14](#) [EVA-NADR15A14](#) [EVA-NADR15D14](#) [EVA-NE4R15A14](#) [EVB-NADR15Y14](#) [ASE1D](#) [ASE1E](#) [ASE2D](#) [MFP113D](#) [MFP130](#)
[MFP1323](#) [MFP1424](#) [MFP161D](#) [MFP2220R](#) [MFP231P](#) [MFP261N](#) [MMP1010DRA1](#) [MMP131](#) [L202021MS02Q](#) [MFP120](#) [MFP 130 R](#)
[MFP1323R](#) [MFP140](#) [MFP140-R](#)