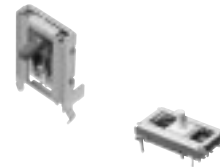


## Linear Position Sensors (for reference only)

Type: **EVAW7**



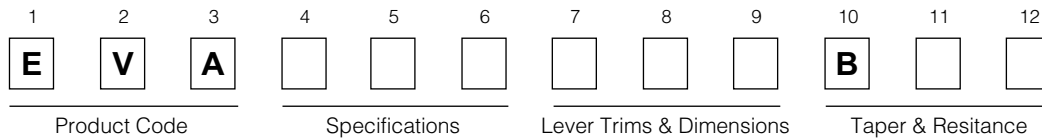
### ■ Features

- A wide variety of operation strokes
- Long life and high resolution

### ■ Recommended Applications

- Car headlight angle detection sensor

### ■ Explanation Part Numbers

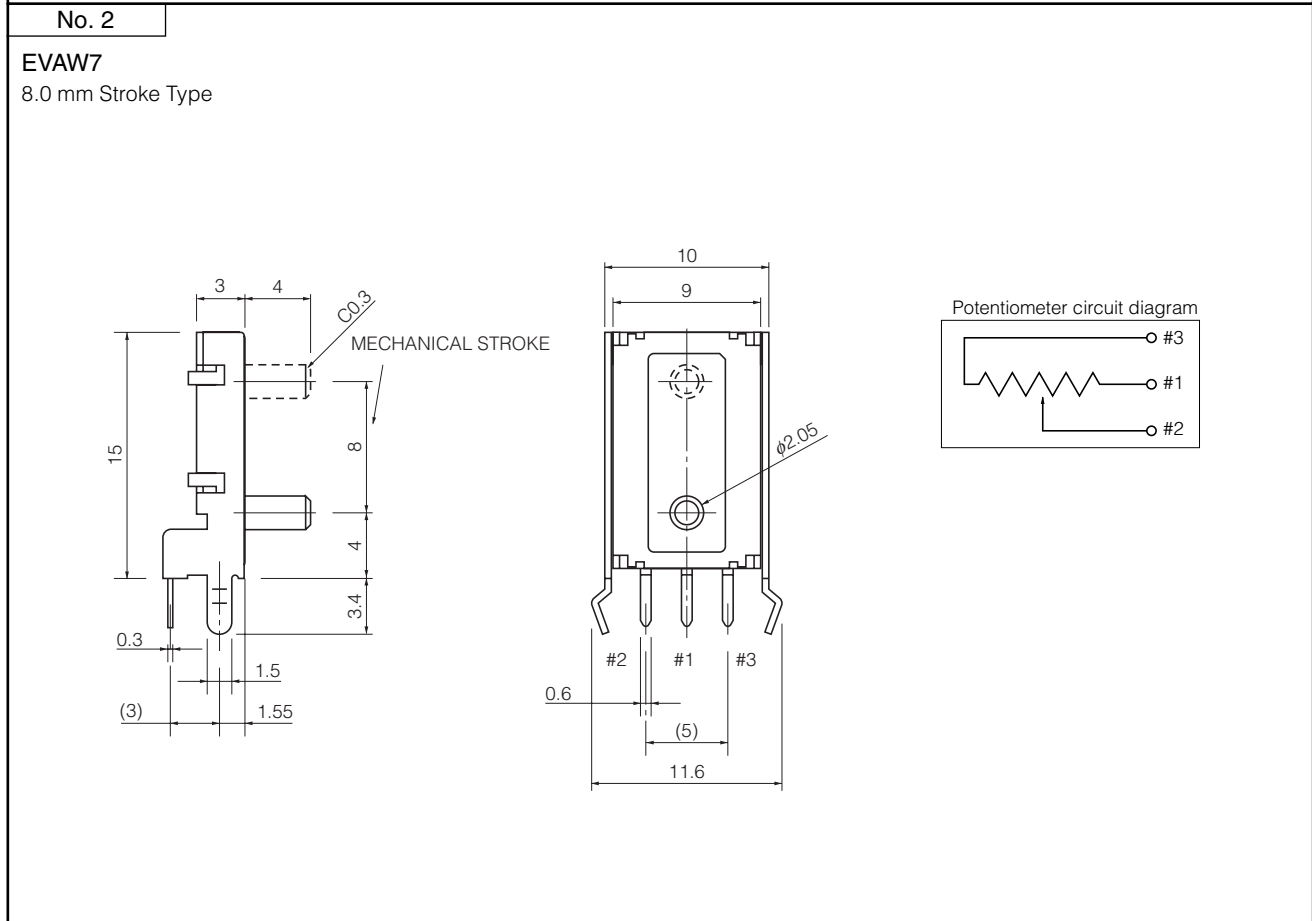
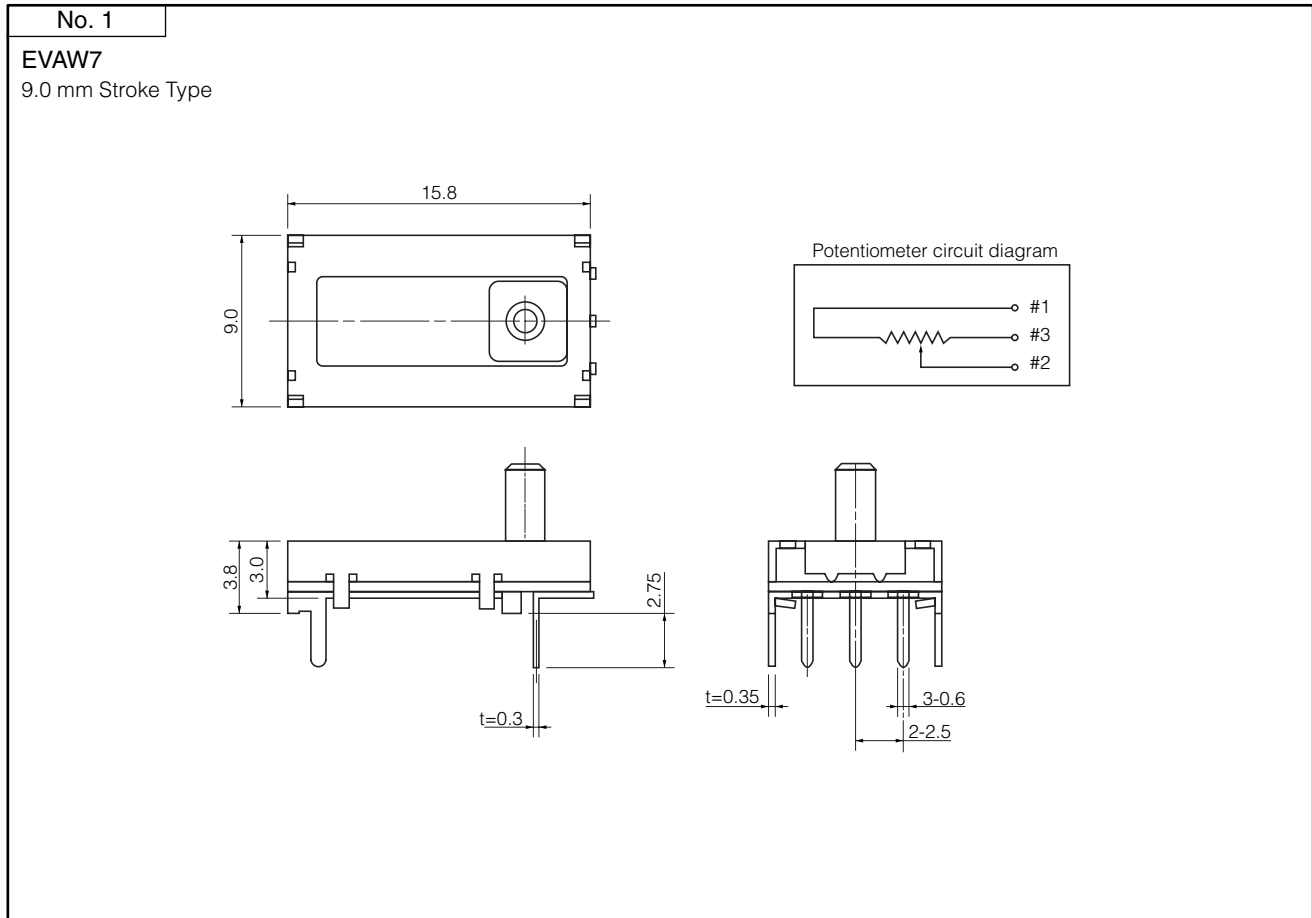


### ■ Specifications

		EVAW7	
Mechanical	Stroke	9.0 mm±0.5 mm	8.0 mm±0.5 mm
	Operating Force	2 N max.	1 N max.
Electrical	Linearity	±2 %	±1 %
	Total Resistance	10 kΩ±30 %	4.7 kΩ±30 %
	Voltage Rating	5 Vdc max.	12 Vdc max.
	Taper	B	
Endurance	Operating Life	10000 cycles min.	10000 cycles min.
Minimum Quantity/Packing Unit		300 pcs. (Tray Pack)	200 pcs. (Tray Pack)
Quantity/Carton		3000 pcs.	2000 pcs.

Design and specifications are each subject to change without notice. Ask factory for the current technical specifications before purchase and/or use. Should a safety concern arise regarding this product, please be sure to contact us immediately.

■ Dimensions in mm (not to scale)



Design and specifications are each subject to change without notice. Ask factory for the current technical specifications before purchase and/or use. Should a safety concern arise regarding this product, please be sure to contact us immediately.

## X-ON Electronics

Largest Supplier of Electrical and Electronic Components

*Click to view similar products for [Board Mount Motion & Position Sensors](#) category:*

*Click to view products by [Panasonic](#) manufacturer:*

Other Similar products are found below :

[6SS4](#) [XL-10043](#) [F02008062](#) [9970-090-9J-SA](#) [MT9105ET](#) [AS5270B-HMFM](#) [IPS2200BI1W](#) [EKMC7610111K](#) [EKMC7610112K](#)  
[EKMC7610113K](#) [EKMB4310112K](#) [EKMC4610111K](#) [EKMC1610112](#) [EKMB1210112](#) [EKMB1210111](#) [EKMB1310113K](#) [EKMB4310113K](#)  
[EKMB1310112K](#) [EKMB1110113](#) [EKMB1210113](#) [EKMC1610113](#) [EKMC2610113K](#) [EKMC4610113K](#) [EKMC2610111K](#) [EKMB1110112](#)  
[EKMB1110111](#) [EKMB4310111K](#) [EKMC1610111](#) [EKMC4610112K](#) [EKMB1310111K](#) [EKMC2610112K](#) [AS5116-HSOM](#) [EKMB1100100](#)  
[EKMB4307112K](#) [EKMB4306113K](#) [EKMB4391113K](#) [EKMB4391112K](#) [EKMB4303112K](#) [EKMB4303113K](#) [EKMB4307111K](#)  
[EKMB4391111K](#) [EKMB4304111K](#) [EKMB4307113K](#) [EKMB4393113K](#) [EKMB4304112K](#) [EKMB4304113K](#) [EKMB4305113K](#)  
[EKMB4393112K](#) [EKMB4305112K](#) [EKMB4306112K](#)