

## 3 mm Square SMT Trimmer Potentiometers with the rotation stopper (Cermet, Open Frame Type)



Type: **EVM3V**

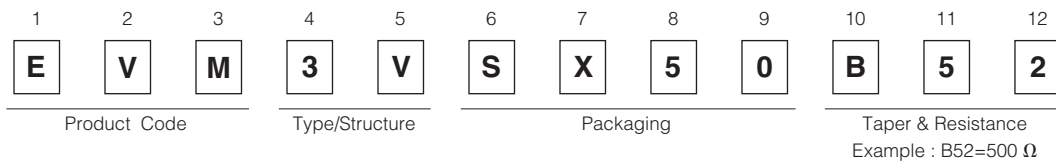
### Features

- Rotation stopper featured type
- Automatic adjustment type
- High reliability realized by cermet element
- Excellent mountability
- Conforms to JIS C5260-1:1999
- RoHS compliant

### Recommended Applications

- Audio/visual, office, and communication equipment
- General electronic equipment

### Explanation of Part Numbers



### Specifications

Total Resistance Value	100 Ω to 1 MΩ
Resistance Tolerance	±25 %
Power Rating	0.15 W
Limiting Element Voltage	50 V
Rotation Torque	2 to 10 mN·m
Stopper Strength	15 mN·m min.
Temperature Coefficient of Resistance	±250 × 10 <sup>-6</sup> /°C

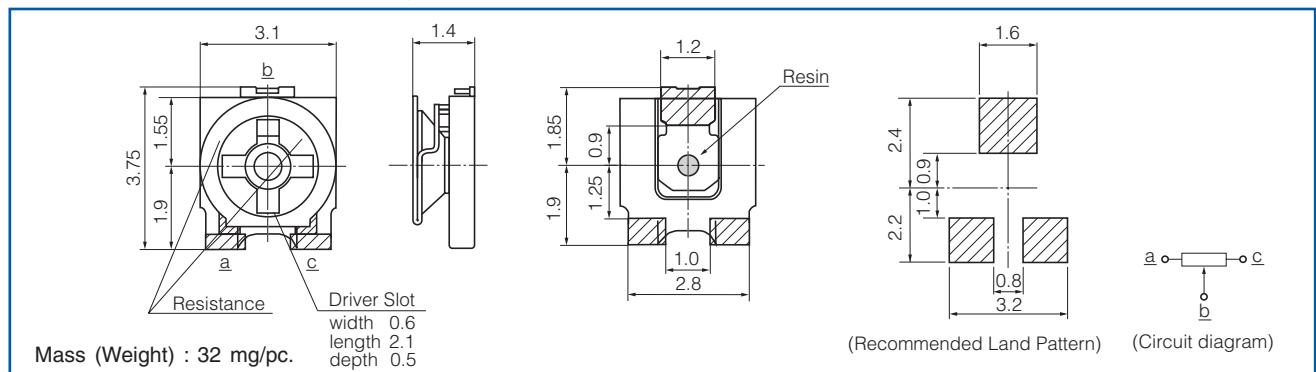
### Minimum Quantity/Packing Unit

Part Number	Taping		
	Quantity per reel	Packaging quantity	Dia. of reel (mm)
EVM3V	2,000	10,000	φ178

The standard packaging methods for a reel is φ178.  
Please contact us, if you would like different packaging methods. (Bulk, Reel of φ330, Reel of φ380)

### Dimensions in mm (not to scale)

- 3-terminal, for Automatic Trimming Adjustment



## X-ON Electronics

Largest Supplier of Electrical and Electronic Components

*Click to view similar products for [Trimmer Resistors - SMD category](#):*

*Click to view products by [Panasonic manufacturer](#):*

Other Similar products are found below :

[EVM-1DSX30BQ2](#) [3204X101P](#) [3213X105M](#) [45WR100LFT7](#) [TS3YJ101MR15](#) [TS3YJ102MR15](#) [TS3YJ104MR15](#) [TS4YJ103MR10](#)  
[TS4YL103MR10](#) [TS4YL502MR10](#) [TS4YL503MR10](#) [3213X503M](#) [3214G-1-202E](#) [43WR5KLFTR](#) [5712-305-403E17](#) [TS3YJ201MR15](#)  
[TS3YJ202MR15](#) [TS3YJ203MR15](#) [TS3YJ501MR15](#) [TS3YJ502MR15](#) [TS3YJ503MR15](#) [TS4YL203MR10](#) [TS3YJ103MR15](#) [TS4YL102MR10](#)  
[TS4YJ502MR10](#) [P160KNPD-0QC30B10K](#) [23SR50KLFTR](#) [43WR100KLFTR](#) [3130W203P](#) [072084A](#) [PVG5A102C03R00](#)  
[PVG5A203C03R00](#) [3214G-1-100E](#) [3214G-1-102E](#) [3214G-1-204E](#) [3214G-1-501E](#) [3214G-1-503E](#) [35WR5KLFTR](#) [EVM-1SSX50B15](#) [EVM-](#)  
[2XSX50B25](#) [EVM-31GA00B12](#) [EVM-7JSX30BQ5](#) [EVM-7JSX30BY3](#) [EVM-7JSX30BY5](#) [1-1879029-3](#) [3214G-1-103E](#) [3214G-1-502E](#)  
[35WR10KLFTR](#) [35WR1KLFTR](#) [CA6XVSMD-100KA2525](#)