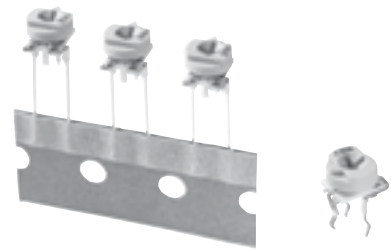


6 mm Square Dustproof Ceramic Trimmer Potentiometers (Cermet, Radial Taping)

Type: **EVMAAS/EVMAES (Radial Taping)**
EVMAAG/EVMAEG/EVMAHG/EVMAJG/EVMASG (Bulk)



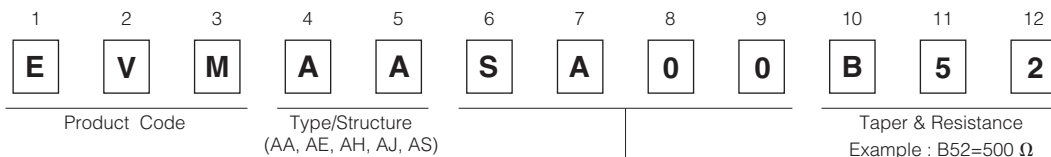
Features

- High reliability due to cermet element
- Excellent automatic insertion due to strong lead terminals
- Available for automatic adjustment due to slot & taper shape suitable for screwdriver
- Dustproof type with electrically activated wiper enclosed in an insulated rotor cap
- Conforms to JIS C5260-1:1999
- RoHS compliant

Recommended Applications

- Audio/visual, office, and communication equipment
- General electronic equipment

Explanation of Part Numbers



Symbol	Packaging
SA00	Radial taping height 20 mm
SA01	Radial taping height 21 mm
GA00	Bulk Standard

Specifications

	EVMAA□/EVMAHG/EVMAJG/EVMASG	EVMAE□ (Low Resistor Value)
Total Resistance Value	100 Ω to 1 MΩ	10 Ω to 500 Ω
Resistance Tolerance	±25 %	
Power Rating	0.3 W	0.5 W
Limiting Element Voltage	100 V	$\sqrt{P \cdot R}$
Rotation Torque	2 to 30 mN·m	
Stopper Strength	50 mN·m min.	
Temperature Coefficient of Resistance	$\pm 200 \times 10^{-6}/^{\circ}\text{C}$	· $10 \Omega \leq R \leq 20 \Omega$ $\pm 200 \times 10^{-6}/^{\circ}\text{C}$ · $20 \Omega < R \leq 200 \Omega$ $\pm 150 \times 10^{-6}/^{\circ}\text{C}$ · $200 \Omega < R \leq 500 \Omega$ $\pm 100 \times 10^{-6}/^{\circ}\text{C}$

Minimum Quantity/Packing Unit

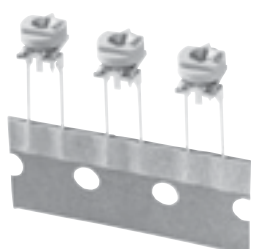
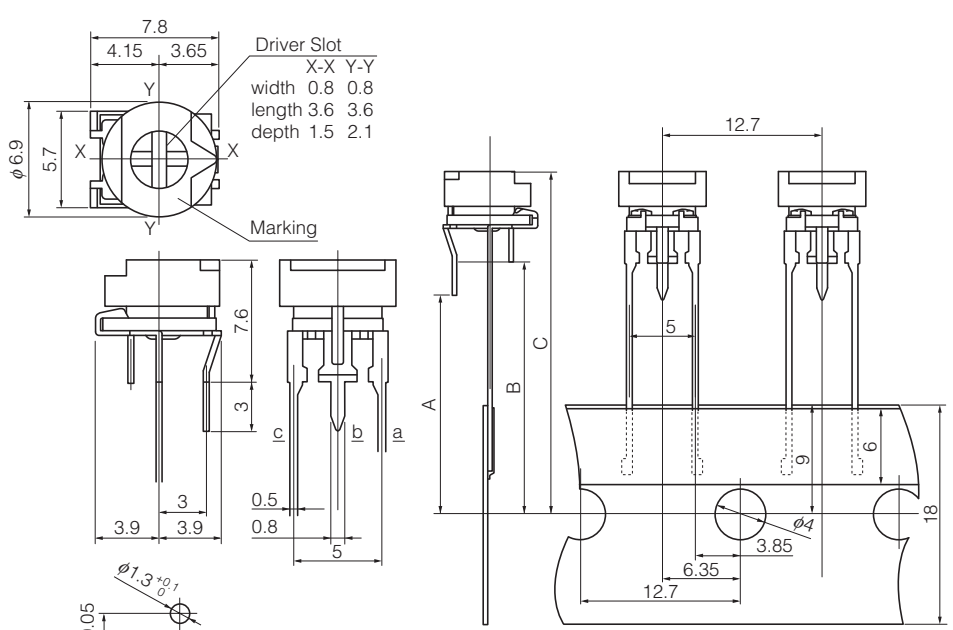
Part Number	Radial taping		Bulk	
	Quantity per Box	Packaging quantity	Quantity per pack	Packaging quantity
EVMAAS EVMAES	1,000	10,000	—	—
EVMAAG EVMAHG EVMAJG EVMASG	—	—	200	2,000
EVMAEG	—	—	600	3,000

Dimensions in mm (not to scale)

- Radial tapering

- 3-terminal, Top-adjust, Cross Slots EVMAAS/EVMAES

No. 1

Driver Slot
X-X Y-Y
width 0.8 0.8
length 3.6 3.6
depth 1.5 2.1

Marking

(Recommended PWB Piercing Plan)

(Circuit diagram)


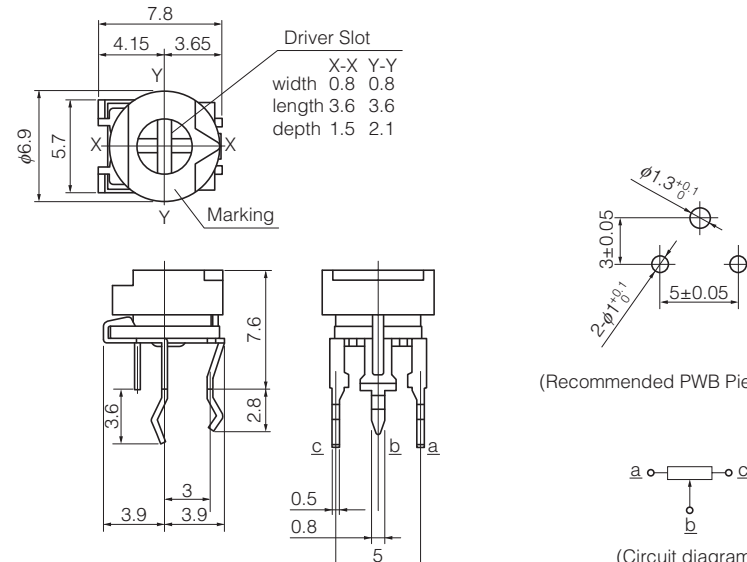
	A	B	C
A00	17	20	27.6
A01	18	21	28.6

Mass (Weight) : 420 mg/pc.

- Bulk

- 3-terminal, Top-adjust, Cross Slots EVMAAG/EVMAEG

No. 2

Driver Slot
X-X Y-Y
width 0.8 0.8
length 3.6 3.6
depth 1.5 2.1

Marking

(Recommended PWB Piercing Plan)

(Circuit diagram)


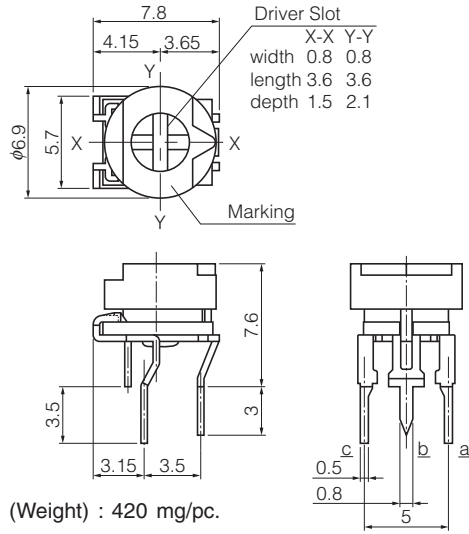
Mass (Weight) : 420 mg/pc.

Dimensions in mm (not to scale)

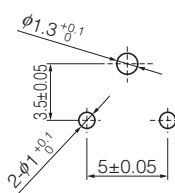
- Bulk

- 3-terminal, Top-adjust, Cross Slots EVMAHG

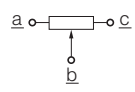
No. 3

Driver Slot	
X-X	Y-Y
width	0.8 0.8
length	3.6 3.6
depth	1.5 2.1



(Recommended PWB Piercing Plan)


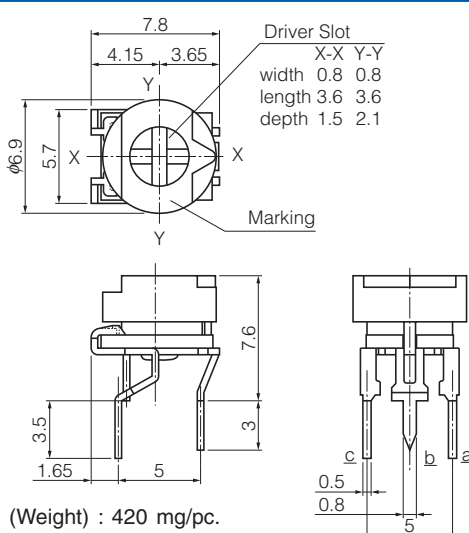


(Circuit diagram)

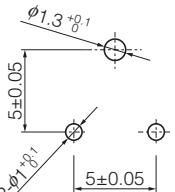
Mass (Weight) : 420 mg/pc.

- 3-terminal, Top-adjust, Cross Slots EVMAJG

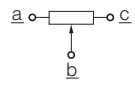
No. 4

Driver Slot	
X-X	Y-Y
width	0.8 0.8
length	3.6 3.6
depth	1.5 2.1



(Recommended PWB Piercing Plan)


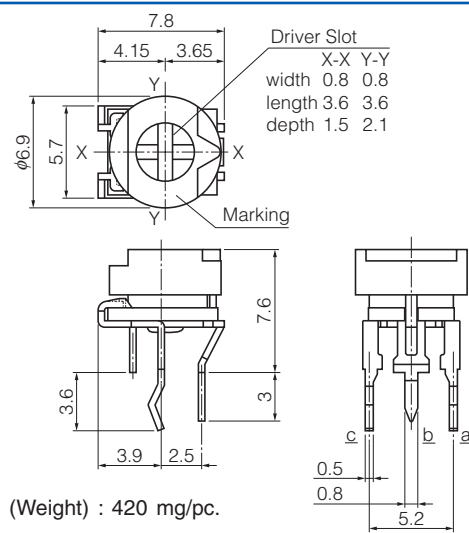


(Circuit diagram)

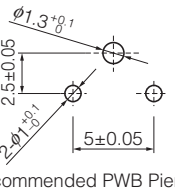
Mass (Weight) : 420 mg/pc.

- 3-terminal, Top-adjust, Cross Slots EVMASG

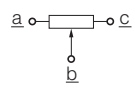
No. 5

Driver Slot	
X-X	Y-Y
width	0.8 0.8
length	3.6 3.6
depth	1.5 2.1



(Recommended PWB Piercing Plan)



(Circuit diagram)

Mass (Weight) : 420 mg/pc.

X-ON Electronics

Largest Supplier of Electrical and Electronic Components

Click to view similar products for [Trimmer Resistors - Through Hole](#) category:

Click to view products by [Panasonic](#) manufacturer:

Other Similar products are found below :

[64W205](#) [M63M103KB40](#) [M63X104KB40](#) [76PR500K](#) [79PR5K](#) [PT15NV24-103A2020](#) [CT6P-103](#) [CB10MV473ME](#) [4270W105K](#)
[56PR2MEG](#) [82PR2KLFTB](#) [62MR100](#) [72XWR20K](#) [9702-2SL-1](#) [89PHR10K](#) [78SR5K](#) [CT15NV15103M](#) [78SBWR1K](#) [343P10](#)
[82PR100LFTB](#) [PT15NH02-104A2020-S](#) [VG039NSNXTB103](#) [PTC15NH05-103A2020](#) [PTC15NV02-104A2020](#) [PTC15LV02-103A2020](#)
[PT15GV02-27402](#) [RJ-13SR203](#) [RJ-5EW502](#) [RJ-5EW202](#) [3292W-1-201M](#) [3362F-1-205LF](#) [3362X-1-272LF](#) [3386H-EY5-202LF](#) [3059Y-1-](#)
[200LF](#) [3386X-DF6-503LF](#) [3260W-1-500](#) [3329S-1-204LF](#) [PT10MV10-203A2020-S](#) [PT15NV02-503A2020-E-S](#) [PTC10MV10-472A0505](#)
[PV36W103C01B00](#) [PV37X104C01B00](#) [CN-15.1-22K](#) [CN-15.1-3K3](#) [CN-15.2-10K](#) [CN-15.2-470R](#) [R0141-2-100K](#) [R0141-2-10K](#) [R0141-2-](#)
[1K](#) [R0141-2-20K](#)