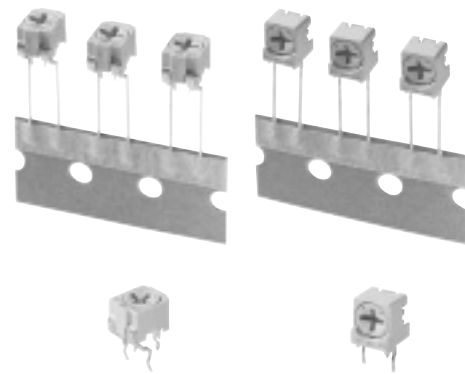


6 mm Square Dustproof Ceramic Trimmer Potentiometers
(Cermet, Radial Taping, with Knob Protection)



Type: **EVMEAS/EVMEGS/EVMEES**
(Radial Taping)
EVMEAG/EVMEGG/EVMEEG
(Bulk)

■ Features

- High reliability due to cermet element
- No readjustment needed through knob protected structure
- Excellent mounting efficiency due to cubic shape
- Automated adjustment available
Face side: Standard cross slot screwdriver suited to automatic adjustment applicable
Back side: Penetrated slot for easy driving
- Conforms to JIS C5260-1:1999

■ Recommended Applications

- Audio/visual, office, and communication equipment
- General electronic equipment

■ Explanation of Part Numbers

1	2	3	4	5	6	7	8	9	10	11	12
E	V	M	E	A	S	A	0	0	B	5	2
Product Code			Type/Structure (EA, EG, EE)			Packaging			Taper & Resistance Example : B52=500 Ω		
					Symbol		Packaging				
					SA00		Radial taping height 20 mm				
					SA01		Radial taping height 21 mm				
					GA00		Bulk Standard				

*For part number details, refer to page ER151.

■ Specifications

	EVME□/EVMEG□	EVMEE□ (Low Resistor Value)
Total Resistance Value	100 Ω to 1 MΩ	10 Ω to 500 Ω
Resistance Tolerance	±25 %	
Power Rating	0.3 W	0.5 W
Maximum Operating Voltage	100 V	$\sqrt{P \cdot R}$
Rotation Torque	2 to 30 mN·m	
Stopper Strength	50 mN·m min.	
Temperature Coefficient of Resistance	$\pm 200 \times 10^{-6}/^{\circ}\text{C}$	<ul style="list-style-type: none"> · $10 \Omega \leq R \leq 20 \Omega$ $\pm 200 \times 10^{-6}/^{\circ}\text{C}$ · $20 \Omega < R \leq 200 \Omega$ $\pm 150 \times 10^{-6}/^{\circ}\text{C}$ · $200 \Omega < R \leq 500 \Omega$ $\pm 100 \times 10^{-6}/^{\circ}\text{C}$

■ Minimum Quantity/Packing Unit

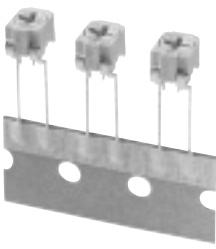
Part Number	Radial taping		Bulk	
	Quantity per Box	Packaging quantity	Quantity per pack	Packaging quantity
EVMEAS EVMEGS EVMEES	1000	10000	—	—
EVMEAG EVMEGG	—	—	200	2000
EVMEEG	—	—	1000	3000

■ Dimensions in mm (not to scale)

● Radial tapering

● 3-terminal, Top-adjust, Cross/Ordinary Slots EVMEAS/EVMEES

No. 1

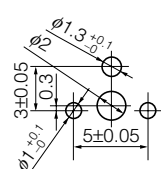


Driver Slot
X-X Y-Y
width 0.9 0.9
length 3.8 4.2
depth 1.2 1.7

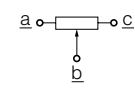
Marking

Driver Slot
width 0.8
length 1.6

Recommended PWB Piercing Plan



	A	B	C
A00	17	20	27.6
A01	18	21	28.6

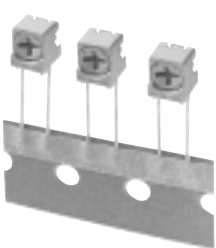


(Circuit diagram)

Mass (Weight) : 590 mg/pc.

● 3-terminal, Side-adjust, Cross/Ordinary Slots EVMEGS

No. 2

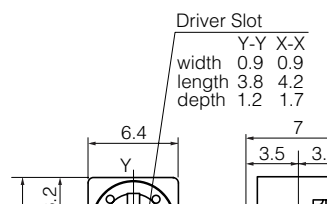


Driver Slot
Y-Y X-X
width 0.9 0.9
length 3.8 4.2
depth 1.2 1.7

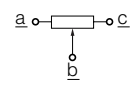
Marking

Driver Slot
width 0.8
length 1.6

Recommended PWB Piercing Plan



	A	B	C
A00	17	20	28.2
A01	18	21	29.2



(Circuit diagram)


Mass (Weight) : 570 mg/pc.

■ Dimensions in mm (not to scale)

● Bulk

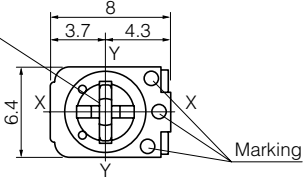
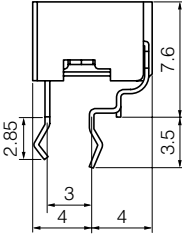
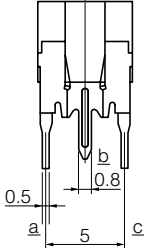
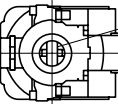
● 3-terminal, Top-adjust, Cross/Ordinary Slots EVMEAG/EVMEEG

No. 3

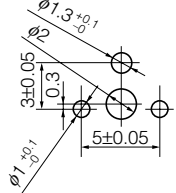


Driver Slot

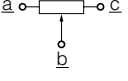
X-X	Y-Y
width 0.9	0.9
length 3.8	4.2
depth 1.2	1.7

Driver Slot
width 0.8
length 1.6



(Recommended PWB Piercing Plan)




(Circuit diagram)

Mass (Weight) : 590 mg/pc.

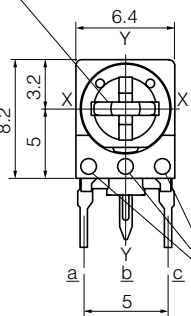
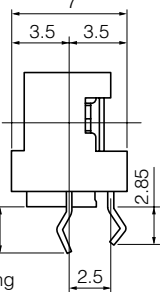
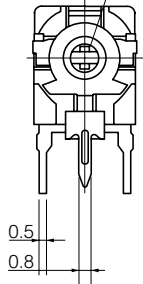
● 3-terminal, Side-adjust, Cross/Ordinary Slots EVMEGG

No. 4

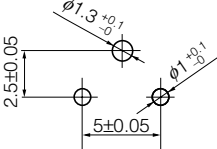


Driver Slot

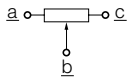
Y-Y	X-X
width 0.9	0.9
length 3.8	4.2
depth 1.2	1.7

Driver Slot
width 0.8
length 1.6



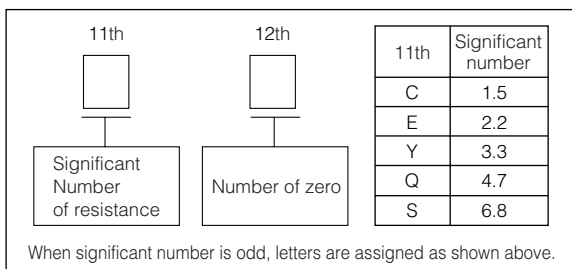
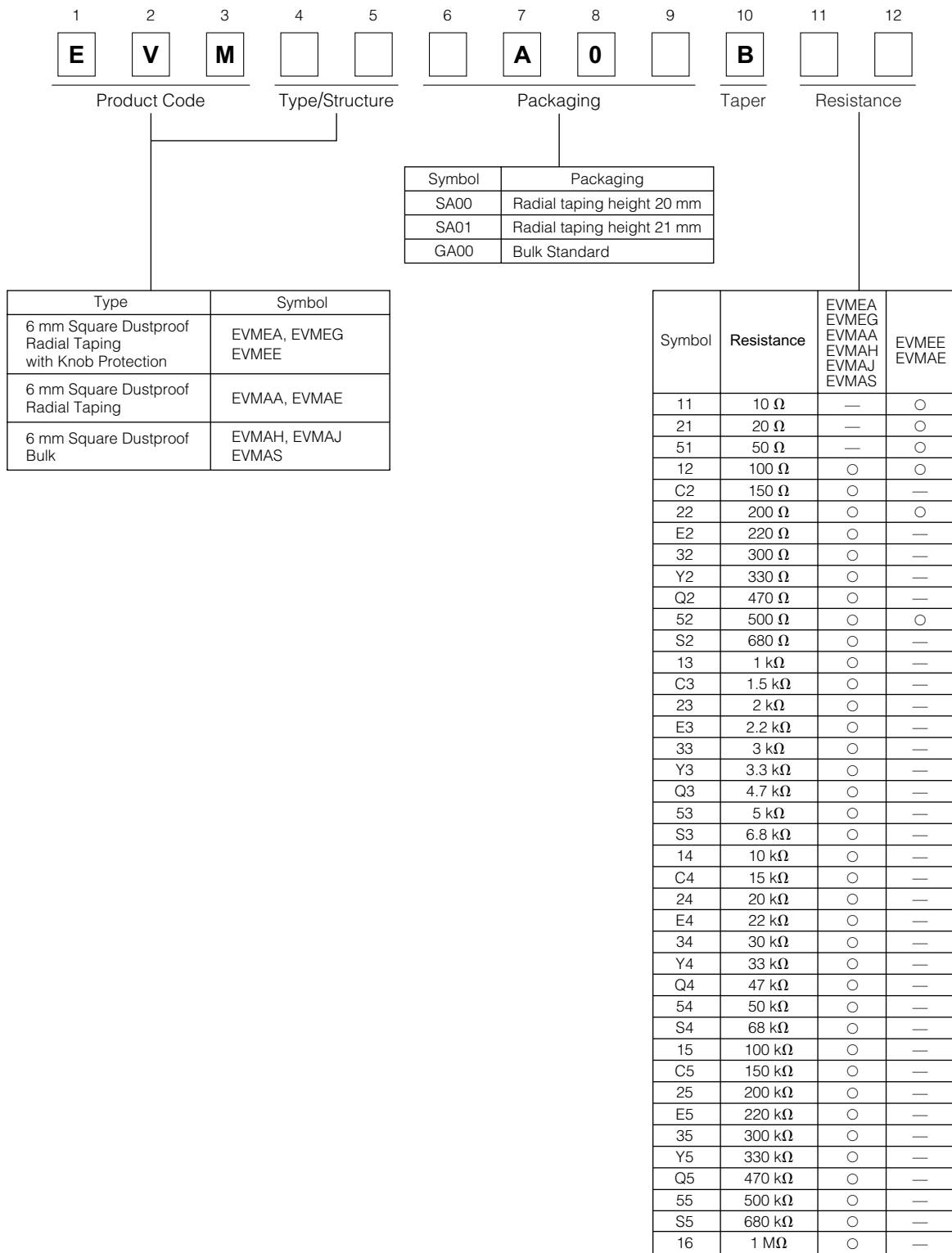
(Recommended PWB Piercing Plan)



(Circuit diagram)

Mass (Weight) : 570 mg/pc.

Explanation of Part Numbers



X-ON Electronics

Largest Supplier of Electrical and Electronic Components

Click to view similar products for [Trimmer Resistors - Through Hole](#) category:

Click to view products by [Panasonic](#) manufacturer:

Other Similar products are found below :

[56PR250K](#) [M63M102KB30T607](#) [M63M103KB40](#) [M63M501KB40](#) [M63P102KB30T607](#) [M63P105KB30T607](#) [M63P202KB40](#)
[M63P203KB30T607](#) [M63P203KB40](#) [M63P205KB30T607](#) [M63P501KB40](#) [M63P502KB40](#) [M63S102KB40](#) [M63S103KB40](#) [M63X101KB40](#)
[M63X103KB40](#) [M63X104KB40](#) [M63X501KB40](#) [M63X503KB40](#) [M70Y102KB25](#) [76PR500K](#) [79PR5K](#) [P8PY103KB25](#) [CT6P-103](#)
[M63M102KB40](#) [M63M104KB40](#) [M63M502KB40](#) [M63P102KB40](#) [M63P103KB30T640](#) [M63P103KB40](#) [M63P104KB30T607](#)
[M63P104KB40](#) [M63P204KB40](#) [M63P504KB40](#) [M63S203KB40](#) [M63S502KB40](#) [M63X105KB40](#) [M63X502KB40](#) [M70Y203KB25](#)
[M70Y502KB25](#) [T9YA472KT20](#) [404806505008](#) [388N-100](#) [409HA102M](#) [4270W105K](#) [56PR2MEG](#) [82PR2KLFTB](#) [416MA504P](#) [SK 104](#)
[25,4 STC TO 220](#) [9702-2SL-1](#)