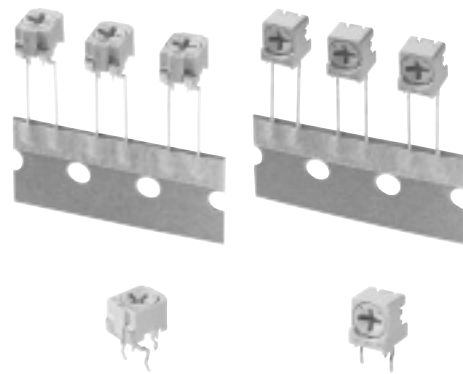


6 mm Square Dustproof Ceramic Trimmer Potentiometers  
(Cermet, Radial Taping, with Knob Protection)



Type: **EVMEAS/EVMEGS/EVMEES**  
**(Radial Taping)**  
**EVMEAG/EVMEGG/EVMEEG**  
**(Bulk)**

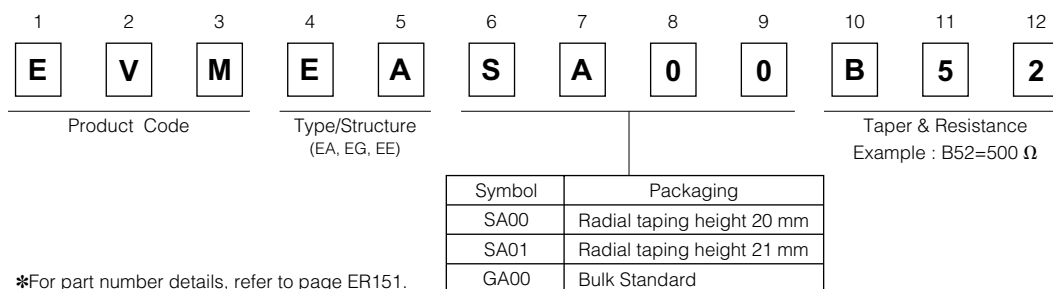
### ■ Features

- High reliability due to cermet element
- No readjustment needed through knob protected structure
- Excellent mounting efficiency due to cubic shape
- Automated adjustment available  
Face side: Standard cross slot screwdriver suited to automatic adjustment applicable  
Back side: Penetrated slot for easy driving
- Conforms to JIS C5260-1:1999

### ■ Recommended Applications

- Audio/visual, office, and communication equipment
- General electronic equipment

### ■ Explanation of Part Numbers



### ■ Specifications

	EVME□/EVMEG□	EVME□ (Low Resistor Value)
Total Resistance Value	100 Ω to 1 MΩ	10 Ω to 500 Ω
Resistance Tolerance	±25 %	
Power Rating	0.3 W	0.5 W
Maximum Operating Voltage	100 V	$\sqrt{P \cdot R}$
Rotation Torque	2 to 30 mN·m	
Stopper Strength	50 mN·m min.	
Temperature Coefficient of Resistance	$\pm 200 \times 10^{-6}/^{\circ}\text{C}$	<ul style="list-style-type: none"> <li>· <math>10 \Omega \leq R \leq 20 \Omega</math> ..... <math>\pm 200 \times 10^{-6}/^{\circ}\text{C}</math></li> <li>· <math>20 \Omega &lt; R \leq 200 \Omega</math> ..... <math>\pm 150 \times 10^{-6}/^{\circ}\text{C}</math></li> <li>· <math>200 \Omega &lt; R \leq 500 \Omega</math> ..... <math>\pm 100 \times 10^{-6}/^{\circ}\text{C}</math></li> </ul>

### ■ Minimum Quantity/Packing Unit

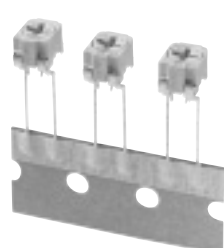
Part Number	Radial taping		Bulk	
	Quantity per Box	Packaging quantity	Quantity per pack	Packaging quantity
EVMEAS EVMEGS EVMEES	1000	10000	—	—
EVMEAG EVMEGG	—	—	200	2000
EVMEEG	—	—	1000	3000

■ Dimensions in mm (not to scale)

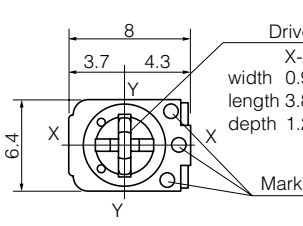
● Radial tapering

● 3-terminal, Top-adjust, Cross/Ordinary Slots ..... EVMEAS/EVMEES

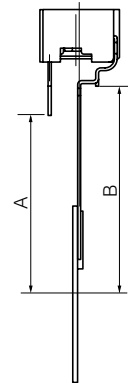
**No. 1**

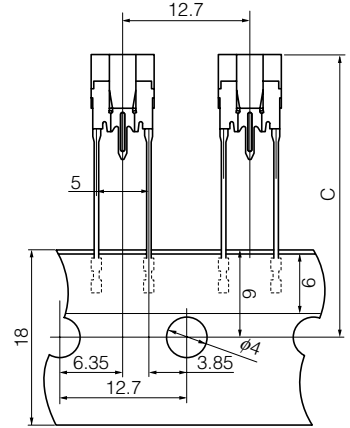


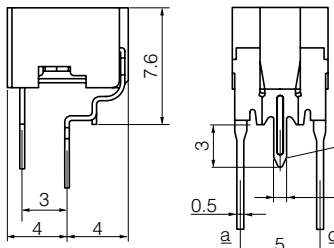
Driver Slot  
X-X Y-Y  
width 0.9 0.9  
length 3.8 4.2  
depth 1.2 1.7

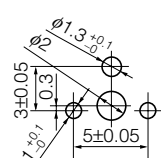


Marking



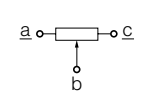






(Recommended PWB Piercing Plan)

	A	B	C
A00	17	20	27.6
A01	18	21	28.6



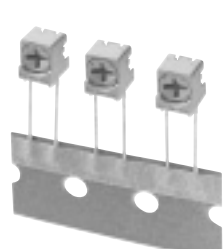
(Circuit diagram)

Driver Slot  
width 0.8  
length 1.6

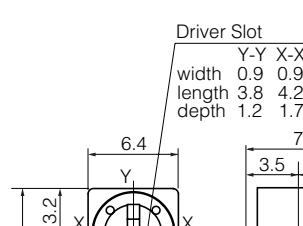
Mass (Weight) : 590 mg/pc.

● 3-terminal, Side-adjust, Cross/Ordinary Slots ..... EVMEGS

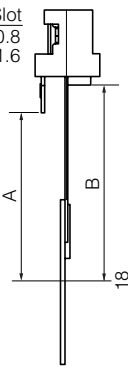
**No. 2**

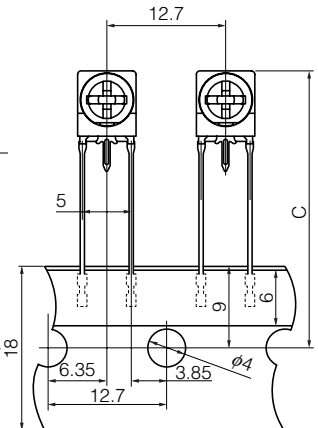


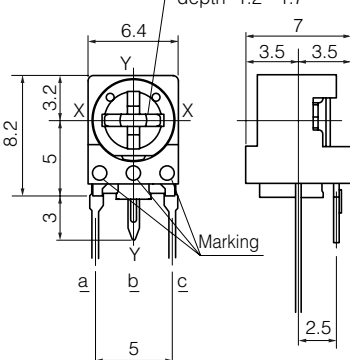
Driver Slot  
Y-Y X-X  
width 0.9 0.9  
length 3.8 4.2  
depth 1.2 1.7

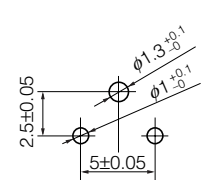


Marking



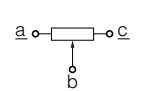






(Recommended PWB Piercing Plan)

	A	B	C
A00	17	20	28.2
A01	18	21	29.2



(Circuit diagram)

Driver Slot  
width 0.8  
length 1.6


Mass (Weight) : 570 mg/pc.

■ Dimensions in mm (not to scale)

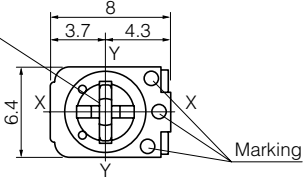
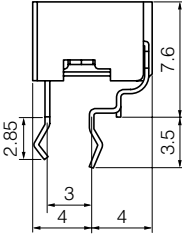
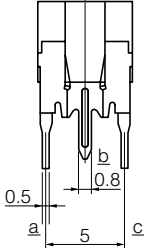
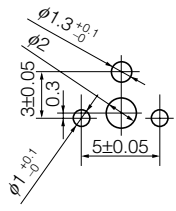
● Bulk

● 3-terminal, Top-adjust, Cross/Ordinary Slots ..... EVMEAG/EVMEEG

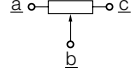
**No. 3**



Driver Slot  
 X-X Y-Y  
 width 0.9 0.9  
 length 3.8 4.2  
 depth 1.2 1.7

(Recommended PWB Piercing Plan)




(Circuit diagram)

Driver Slot  
 width 0.8  
 length 1.6

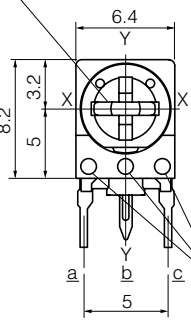
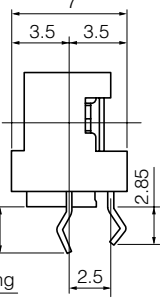
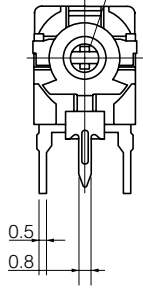
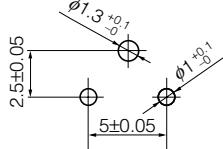
Mass (Weight) : 590 mg/pc.

● 3-terminal, Side-adjust, Cross/Ordinary Slots ..... EVMEGG

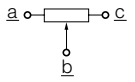
**No. 4**



Driver Slot  
 Y-Y X-X  
 width 0.9 0.9  
 length 3.8 4.2  
 depth 1.2 1.7

(Recommended PWB Piercing Plan)

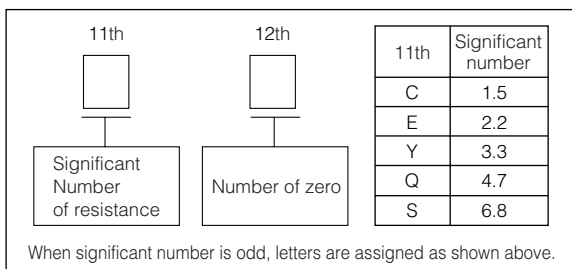
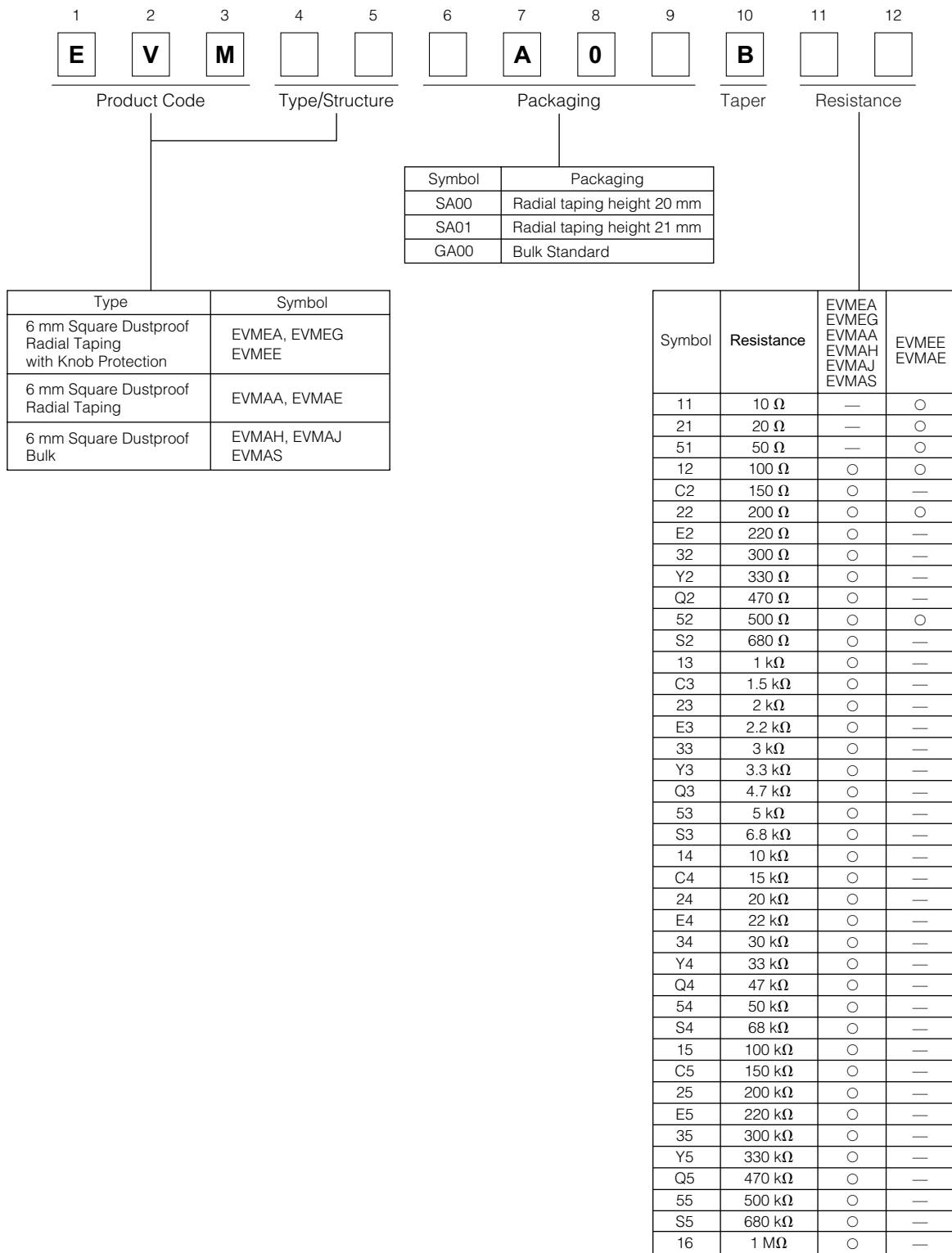


(Circuit diagram)

Driver Slot  
 width 0.8  
 length 1.6

Mass (Weight) : 570 mg/pc.

### ■ Explanation of Part Numbers



## X-ON Electronics

Largest Supplier of Electrical and Electronic Components

*Click to view similar products for [Trimmer Resistors - Through Hole](#) category:*

*Click to view products by [Panasonic](#) manufacturer:*

Other Similar products are found below :

[56PR250K](#) [M63M102KB30T607](#) [M63M103KB40](#) [M63M501KB40](#) [M63P102KB30T607](#) [M63P105KB30T607](#) [M63P202KB40](#)  
[M63P203KB30T607](#) [M63P203KB40](#) [M63P205KB30T607](#) [M63P501KB40](#) [M63P502KB40](#) [M63S102KB40](#) [M63S103KB40](#) [M63X101KB40](#)  
[M63X103KB40](#) [M63X104KB40](#) [M63X501KB40](#) [M63X503KB40](#) [M70Y102KB25](#) [76PR500K](#) [79PR5K](#) [P8PY103KB25](#) [CT6P-103](#)  
[M63M102KB40](#) [M63M104KB40](#) [M63M502KB40](#) [M63P102KB40](#) [M63P103KB30T640](#) [M63P103KB40](#) [M63P104KB30T607](#)  
[M63P104KB40](#) [M63P204KB40](#) [M63P504KB40](#) [M63S203KB40](#) [M63S502KB40](#) [M63X105KB40](#) [M63X502KB40](#) [M70Y203KB25](#)  
[M70Y502KB25](#) [T9YA472KT20](#) [404806505008](#) [388N-100](#) [409HA102M](#) [4270W105K](#) [56PR2MEG](#) [82PR2KLFTB](#) [416MA504P](#) [SK 104](#)  
[25,4 STC TO 220](#) [9702-2SL-1](#)