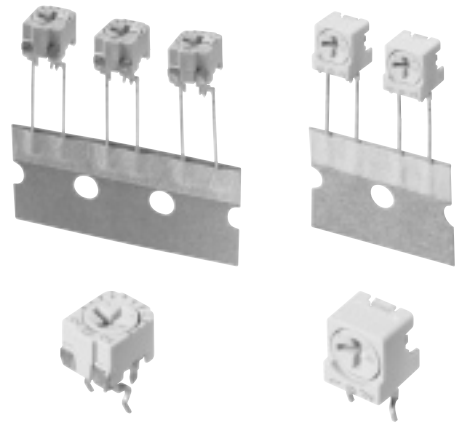


6 mm Square Dustproof Ceramic Trimmer Potentiometers
(Cermet, Radial Taping, with Knob Protection)

Type: **EVMEYS/EVMEVS**
(High-Reliability Type, Radial Taping)
EVMEYG/EVMEVG
(High-Reliability Type, Bulk)



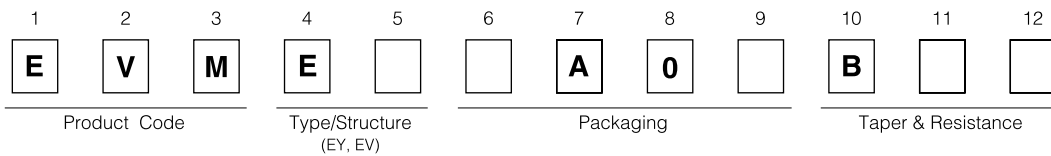
■ Features

- No readjustment needed through Rotor protected Structure for careless slip
- Excellent mounting efficiency due to cubic shape suited to automatic pick-and-place assembly equipment
- Power Rating: 0.5 W max.
- Temperature Coefficient of Resistance: within $\pm 100 \times 10^{-6}/^\circ\text{C}$
- Conforming to JIS C5261

■ Recommended Applications

- Audio visual equipment, Office Automation equipment, Communication equipment
- Other general electronic equipments

■ Explanation of Part Numbers



*For the details of Part Number, refer to page EV21.

■ Major Specifications

Total Resistance Value	1 k Ω to 2 M Ω
Resistance Tolerance	$\pm 20\%$
Power Rating	70 $^\circ\text{C}$... 0.5 W (125 $^\circ\text{C}$... 0 %)
Maximum Operating Voltage	200 V
Rotation Torque	2 to 30 mN · m
Stopper Strength	50 mN · m nim.
Temperature Coefficient of Resistance	$\pm 100 \times 10^{-6}/^\circ\text{C}$

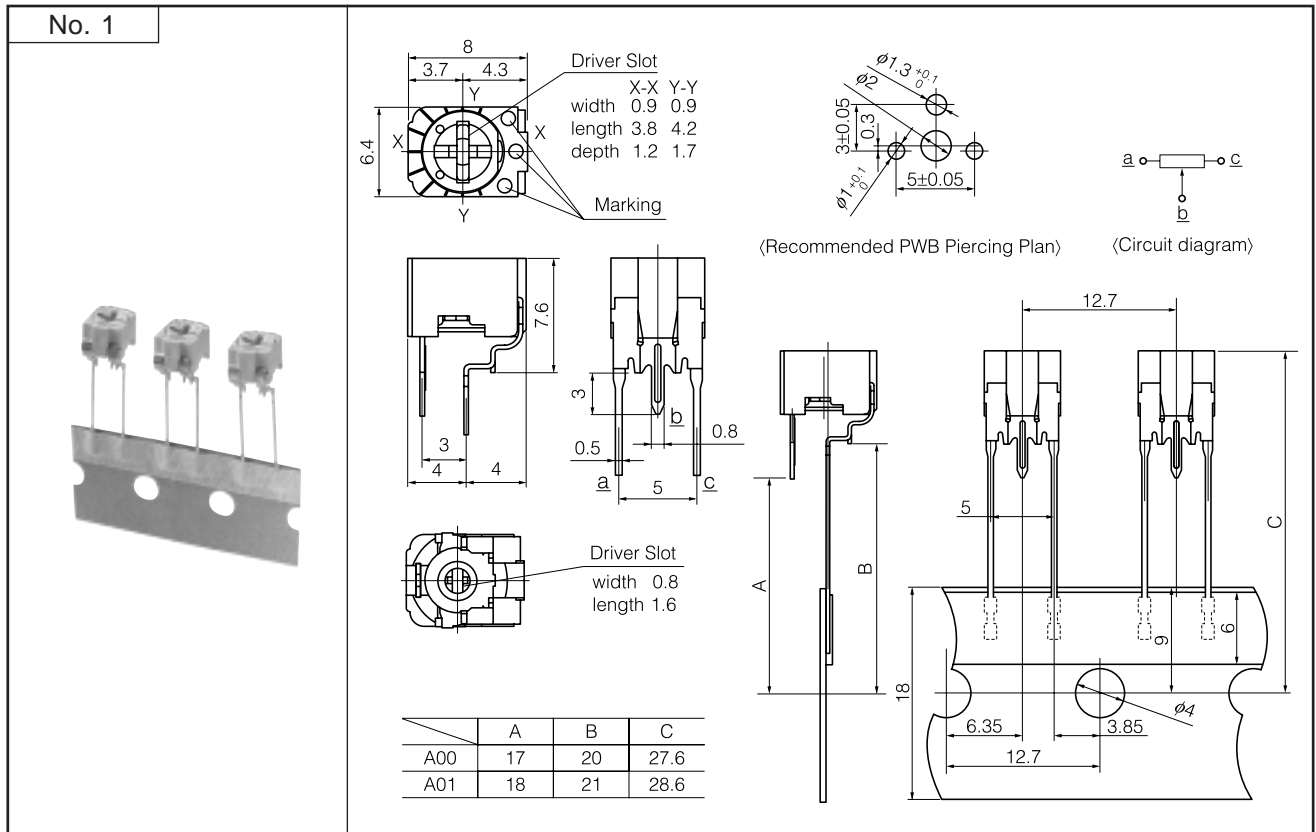
■ Minimum Quantity/Packing Unit

Part Number	Radial taping		Bulk	
	Quantity per Box	Packaging quantity	Quantity per pack	Packaging quantity
EVMEYS EVMEVS	1000	10000	—	—
EVMEYG EVMEVG	—	—	200	2000

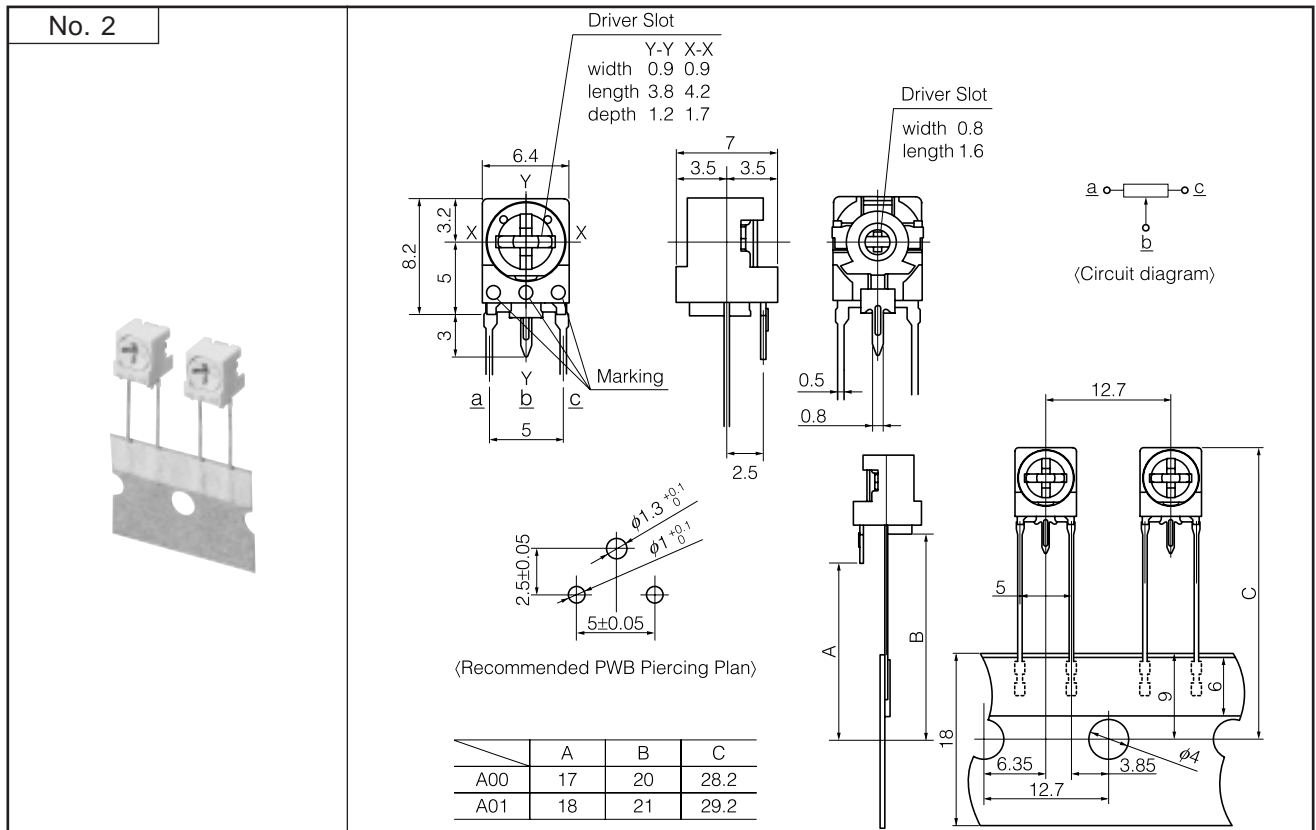
■ Dimensions in mm (not to scale)

● Radial taping

● 3-terminal, Top-adjust, Closs/Ordinary Slots EVMEYS



● 3-terminal, Side-adjust, Closs/Ordinary Slots EVMEYS




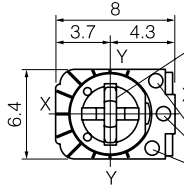
■ Dimensions in mm (not to scale)

● Bulk

● 3-terminal, Top-adjust, Closs/Ordinary Slots EVMEYG

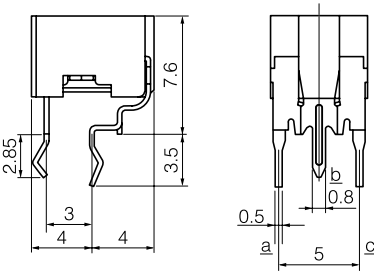
No. 3

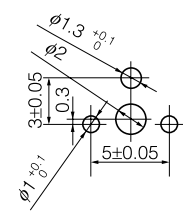




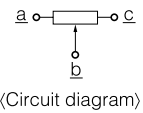
Driver Slot
 X-X Y-Y
 width 0.9 0.9
 length 3.8 4.2
 depth 1.2 1.7

Marking

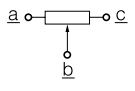




(Recommended PWB Piercing Plan)




(Circuit diagram)



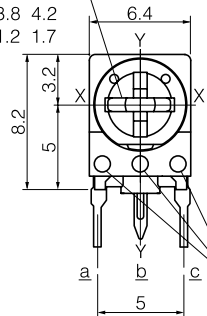
Driver Slot
 width 0.8
 length 1.6

● 3-terminal, Side-adjust, Closs/Ordinary Slots EVMEVG

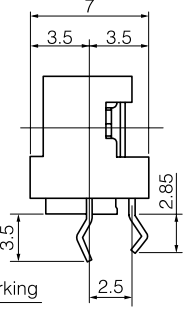
No. 4

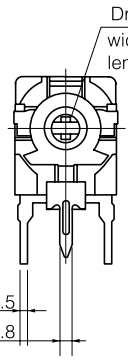


Driver Slot
 Y-Y X-X
 width 0.9 0.9
 length 3.8 4.2
 depth 1.2 1.7

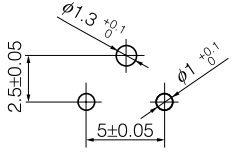


Marking

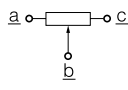




Driver Slot
 width 0.8
 length 1.6



(Recommended PWB Piercing Plan)



(Circuit diagram)

■ Explanation of Part Numbers

Type	Symbol
6 mm Square Dustproof Radial Taping with Knob Protection	EVMEA, EVMEG EVMEE, EVMEY, EVMEV
6 mm Square Dustproof Radial Taping	EVMAA, EVMAE
6 mm Square Dustproof Bulk	EVM49, EVM4L
5 mm Square Dustproof Bulk	EVM2A
4 mm Square Dustproof Bulk	EVML1, EVML4

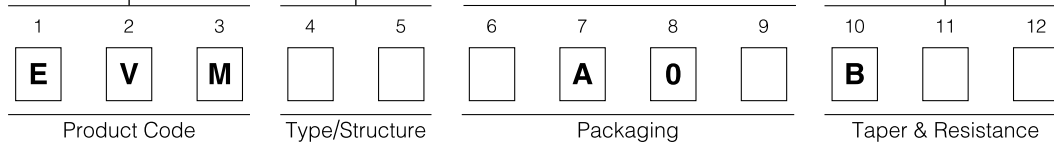
10 th Taper B	11 th Significant Number of resistance	12 th Number of zero
---------------------	--	-------------------------

Example:

Resistance	Symbol
500 Ω	52
47 kΩ	Q4
1 MΩ	16

Note: When significant number is odd, letters are assigned as shown below.

11th	Significant number
C	1.5
E	2.2
Y	3.3
Q	4.7
S	6.8



Symbol	Packaging
GA00	Bulk Standard
SA00	Radial taping height 20 mm
SA01	Radial taping height 21 mm

X-ON Electronics

Largest Supplier of Electrical and Electronic Components

Click to view similar products for [Trimmer Resistors - Through Hole](#) category:

Click to view products by [Panasonic](#) manufacturer:

Other Similar products are found below :

[56PR250K](#) [M63M102KB30T607](#) [M63M103KB40](#) [M63M501KB40](#) [M63P102KB30T607](#) [M63P105KB30T607](#) [M63P202KB40](#)
[M63P203KB30T607](#) [M63P203KB40](#) [M63P205KB30T607](#) [M63P501KB40](#) [M63P502KB40](#) [M63S102KB40](#) [M63S103KB40](#) [M63X101KB40](#)
[M63X103KB40](#) [M63X104KB40](#) [M63X501KB40](#) [M63X503KB40](#) [M70Y102KB25](#) [76PR500K](#) [79PR5K](#) [P8PY103KB25](#) [CT6P-103](#)
[M63M102KB40](#) [M63M104KB40](#) [M63M502KB40](#) [M63P102KB40](#) [M63P103KB30T640](#) [M63P103KB40](#) [M63P104KB30T607](#)
[M63P104KB40](#) [M63P204KB40](#) [M63P504KB40](#) [M63S203KB40](#) [M63S502KB40](#) [M63X105KB40](#) [M63X502KB40](#) [M70Y203KB25](#)
[M70Y502KB25](#) [T9YA472KT20](#) [404806505008](#) [388N-100](#) [409HA102M](#) [4270W105K](#) [56PR2MEG](#) [82PR2KLFTB](#) [416MA504P](#) [SK 104](#)
[25,4 STC TO 220](#) [9702-2SL-1](#)