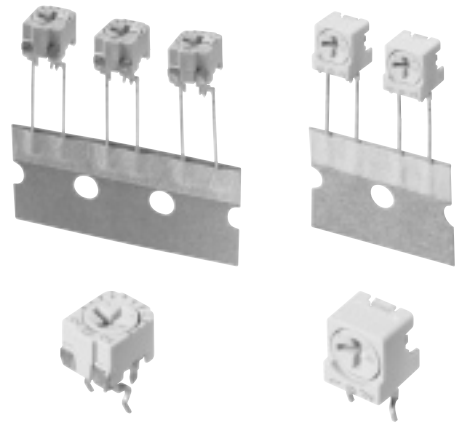


6 mm Square Dustproof Ceramic Trimmer Potentiometers  
(Cermet, Radial Taping, with Knob Protection)

Type: **EVMEYS/EVMEVS**  
(High-Reliability Type, Radial Taping)  
**EVMEYG/EVMEVG**  
(High-Reliability Type, Bulk)



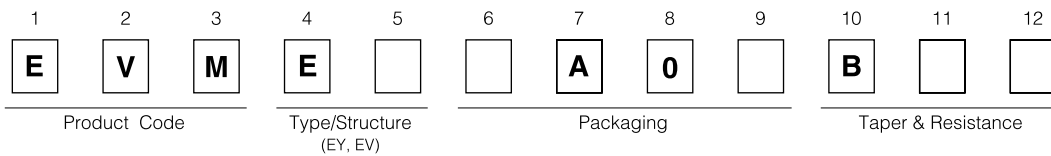
### ■ Features

- No readjustment needed through Rotor protected Structure for careless slip
- Excellent mounting efficiency due to cubic shape suited to automatic pick-and-place assembly equipment
- Power Rating: 0.5 W max.
- Temperature Coefficient of Resistance: within  $\pm 100 \times 10^{-6}/^\circ\text{C}$
- Conforming to JIS C5261

### ■ Recommended Applications

- Audio visual equipment, Office Automation equipment, Communication equipment
- Other general electronic equipments

### ■ Explanation of Part Numbers



\*For the details of Part Number, refer to page EV21.

### ■ Major Specifications

|                                       |  |
|---------------------------------------|--|
| Total Resistance Value                | 1 k $\Omega$ to 2 M $\Omega$                                 |
| Resistance Tolerance                  | $\pm 20\%$   |
| Power Rating                          | 70 $^\circ\text{C}$ ... 0.5 W (125 $^\circ\text{C}$ ... 0 %) |
| Maximum Operating Voltage             | 200 V  |
| Rotation Torque                       | 2 to 30 mN · m   |
| Stopper Strength                      | 50 mN · m nim.   |
| Temperature Coefficient of Resistance | $\pm 100 \times 10^{-6}/^\circ\text{C}$                      |

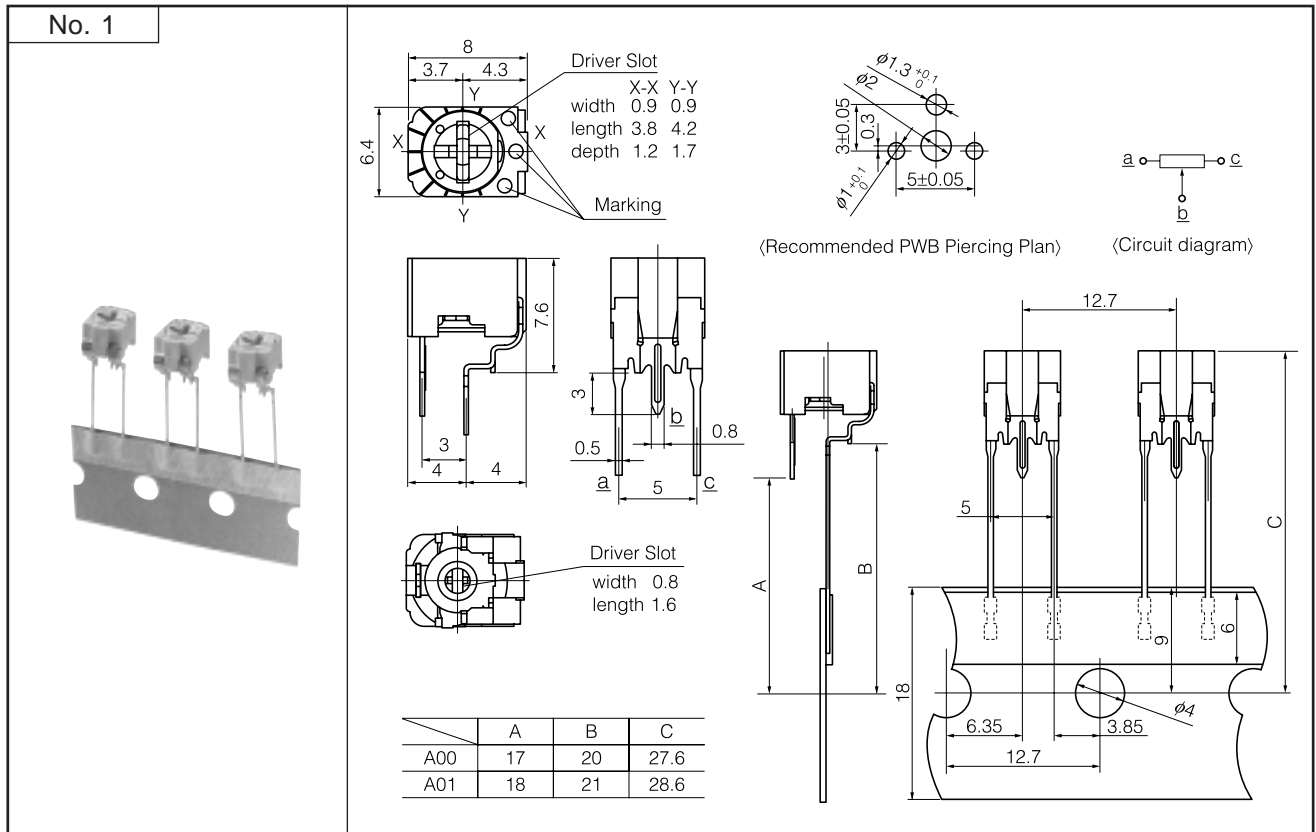
### ■ Minimum Quantity/Packing Unit

| Part Number      | Radial taping    |                    | Bulk              |                    |
|------------------|------------------|--------------------|-------------------|--------------------|
|                  | Quantity per Box | Packaging quantity | Quantity per pack | Packaging quantity |
| EVMEYS<br>EVMEVS | 1000             | 10000              | —                 | —                  |
| EVMEYG<br>EVMEVG | —                | —                  | 200               | 2000               |

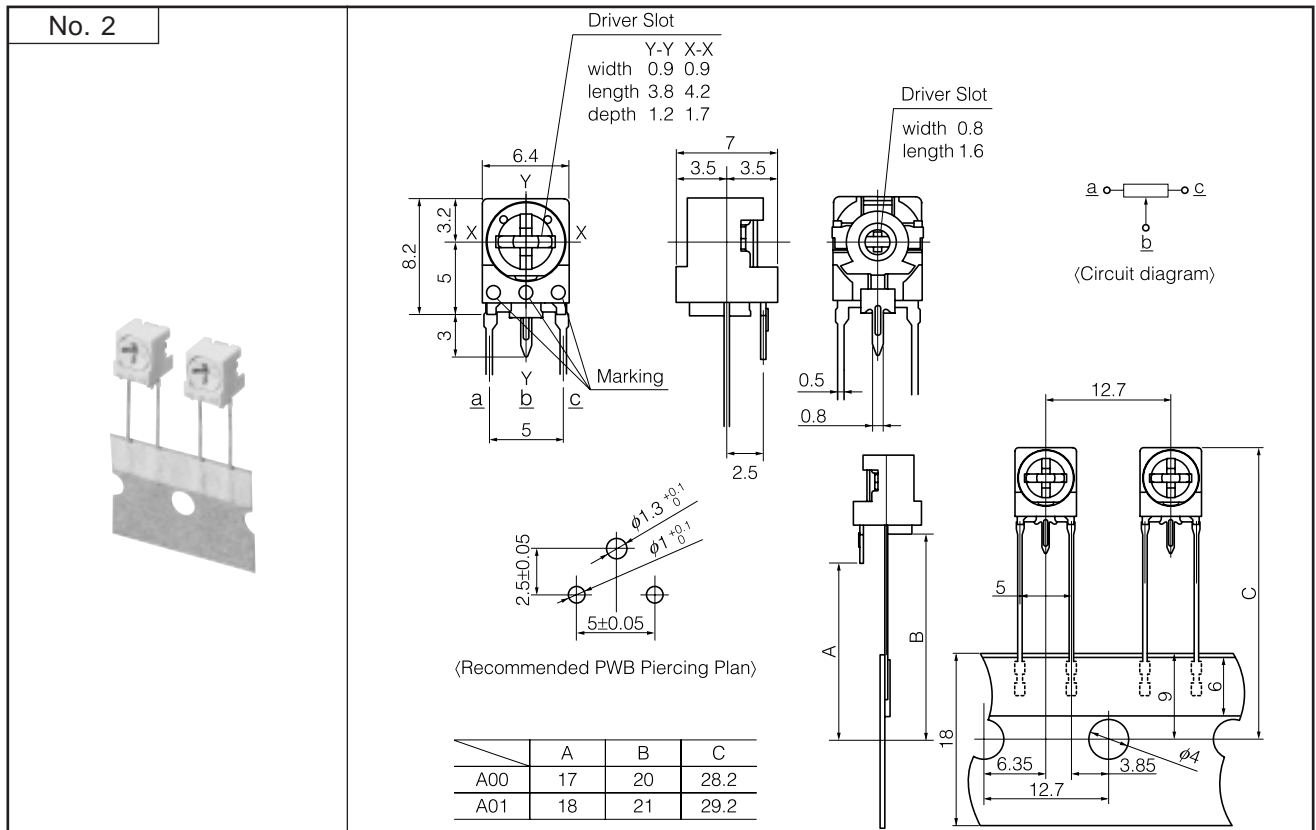
■ Dimensions in mm (not to scale)

● Radial taping

● 3-terminal, Top-adjust, Closs/Ordinary Slots ..... EVMEYS



● 3-terminal, Side-adjust, Closs/Ordinary Slots ..... EVMEYS




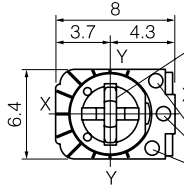
■ Dimensions in mm (not to scale)

● Bulk

● 3-terminal, Top-adjust, Closs/Ordinary Slots ..... EVMEYG

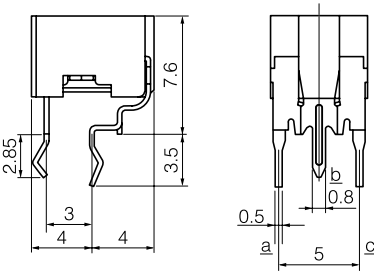
**No. 3**

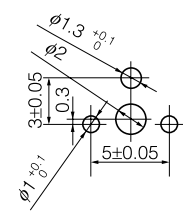




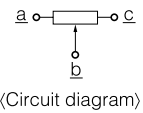
Driver Slot  
X-X Y-Y  
width 0.9 0.9  
length 3.8 4.2  
depth 1.2 1.7

Marking

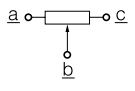




⟨Recommended PWB Piercing Plan⟩




Driver Slot  
width 0.8  
length 1.6

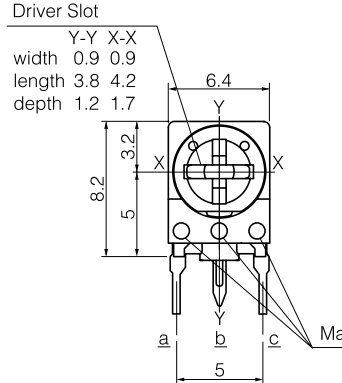


⟨Circuit diagram⟩

● 3-terminal, Side-adjust, Closs/Ordinary Slots ..... EVMEVG

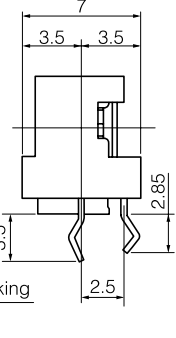
**No. 4**

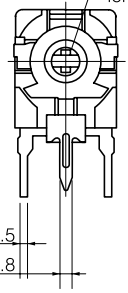




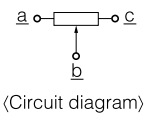
Driver Slot  
Y-Y X-X  
width 0.9 0.9  
length 3.8 4.2  
depth 1.2 1.7

Marking

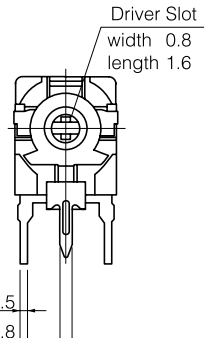




Driver Slot  
width 0.8  
length 1.6



⟨Recommended PWB Piercing Plan⟩



⟨Circuit diagram⟩

### ■ Explanation of Part Numbers

| Type   | Symbol                              |
|--|-------------------------------------|
| 6 mm Square Dustproof Radial Taping with Knob Protection | EVMEA, EVMEG<br>EVMEE, EVMEY, EVMEV |
| 6 mm Square Dustproof Radial Taping                      | EVMAA, EVMAE                        |
| 6 mm Square Dustproof Bulk                               | EVM49, EVM4L                        |
| 5 mm Square Dustproof Bulk                               | EVM2A                               |
| 4 mm Square Dustproof Bulk                               | EVML1, EVML4                        |

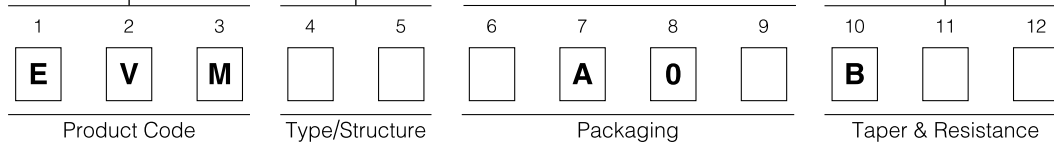
|                     |  |                         |
|---------------------|--|-------------------------|
| 10 th<br>Taper<br>B | 11 th<br>Significant Number<br>of resistance | 12 th<br>Number of zero |
|---------------------|--|-------------------------|

Example:

| Resistance | Symbol |
|------------|--------|
| 500 Ω      | 52     |
| 47 kΩ      | Q4     |
| 1 MΩ       | 16     |

Note: When significant number is odd, letters are assigned as shown below.

| 11th | Significant number |
|------|--------------------|
| C    | 1.5                |
| E    | 2.2                |
| Y    | 3.3                |
| Q    | 4.7                |
| S    | 6.8                |



| Symbol | Packaging                  |
|--------|----------------------------|
| GA00   | Bulk Standard              |
| SA00   | Radial taping height 20 mm |
| SA01   | Radial taping height 21 mm |

## X-ON Electronics

Largest Supplier of Electrical and Electronic Components

*Click to view similar products for [Trimmer Resistors - Through Hole](#) category:*

*Click to view products by [Panasonic](#) manufacturer:*

Other Similar products are found below :

[56PR250K](#) [M63M102KB30T607](#) [M63M103KB40](#) [M63M501KB40](#) [M63P102KB30T607](#) [M63P105KB30T607](#) [M63P202KB40](#)  
[M63P203KB30T607](#) [M63P203KB40](#) [M63P205KB30T607](#) [M63P501KB40](#) [M63P502KB40](#) [M63S102KB40](#) [M63S103KB40](#) [M63X101KB40](#)  
[M63X103KB40](#) [M63X104KB40](#) [M63X501KB40](#) [M63X503KB40](#) [M70Y102KB25](#) [76PR500K](#) [79PR5K](#) [P8PY103KB25](#) [CT6P-103](#)  
[M63M102KB40](#) [M63M104KB40](#) [M63M502KB40](#) [M63P102KB40](#) [M63P103KB30T640](#) [M63P103KB40](#) [M63P104KB30T607](#)  
[M63P104KB40](#) [M63P204KB40](#) [M63P504KB40](#) [M63S203KB40](#) [M63S502KB40](#) [M63X105KB40](#) [M63X502KB40](#) [M70Y203KB25](#)  
[M70Y502KB25](#) [T9YA472KT20](#) [404806505008](#) [388N-100](#) [409HA102M](#) [4270W105K](#) [56PR2MEG](#) [82PR2KLFTB](#) [416MA504P](#) [SK 104](#)  
[25,4 STC TO 220](#) [9702-2SL-1](#)