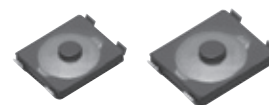


3.0 mm×2.6 mm SMD Light Touch Switches

Type: **EVPAF/EVP0A**



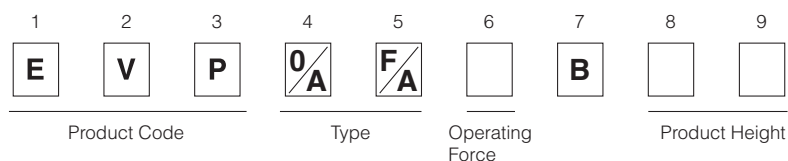
■ Features

- External dimensions: 3.0 mm×2.6 mm, Height 0.65 mm, 0.70 mm
- High operability
Equipped with an actuator (push plate)

■ Recommended Applications

- Operation switches for portable electronic equipment
(Mobile phone, Portable audio)

■ Explanation of Part Numbers



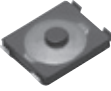
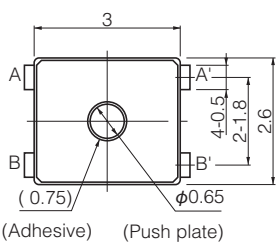
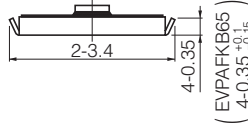
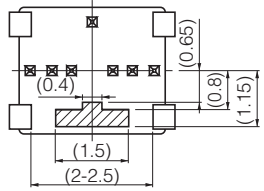
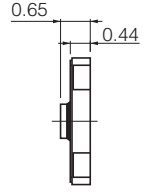
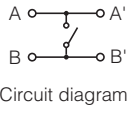
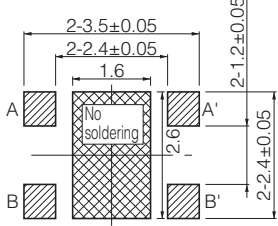


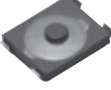
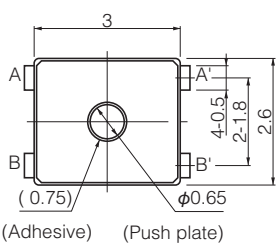
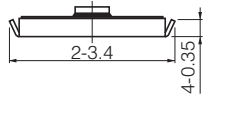
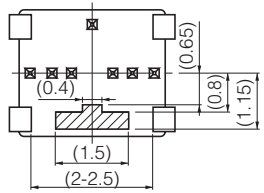
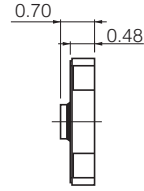
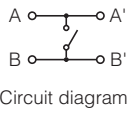
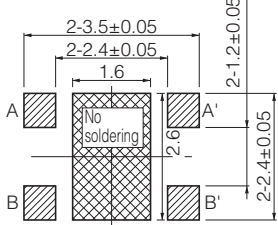


■ Specifications

Type		Snap action/Push-on type SPST
Electrical	Rating	10 μ A 2 V DC to 20 mA 15 V DC (Resistive load)
	Contact Resistance	500 m Ω max.
	Insulation Resistance	50 M Ω min. (at 100 V DC)
	Dielectric Withstanding Voltage	250 V AC for 1 minute
	Bouncing	10 ms max. (ON, OFF)
Mechanical	Operating Force	1.3 N, 1.6 N, 2.4 N, 3.4 N
	Travel	0.15 mm
Endurance	Operating Life	1.3 N, 1.6 N, 3.4 N : 100,000 cycles min., 1.6 N(Low profile) 2.4 N : 500,000 cycles min.
Operating Temperature		-40 °C to +85 °C
Storage Temperature		-40 °C to +85 °C (Bulk) -20 °C to +60 °C (Taping)
Minimum Quantity/Packing Unit		8,000 pcs. Embossed Taping (Reel Pack)
Quantity/Carton		40,000 pcs.

Note: Non washable

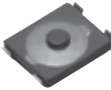
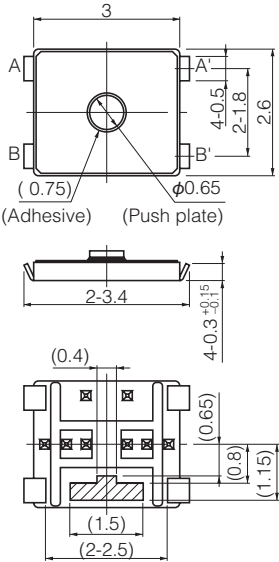
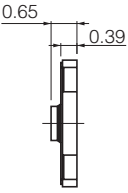
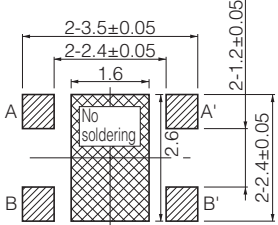


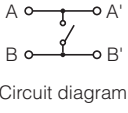
Design and specifications are each subject to change without notice. Ask factory for the current technical specifications before purchase and/or use.
Should a safety concern arise regarding this product, please be sure to contact us immediately.

■ Dimensions in mm (not to scale)

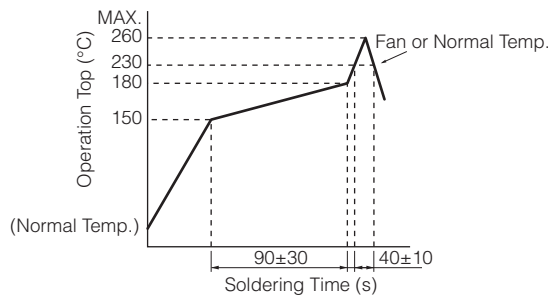
<p>No. 1</p> <p>EVPAF</p> <p>(Embossed Taping)</p> <p>With J-bent terminals</p> 	  	<p>General dimension tolerance : ± 0.1 () dimensions are reference dimensions.</p>    <p>PWB land pattern for reference</p> <p>Part of A-A' terminal is exposed at  area. Any land pattern or vias shall not be provided at  area.</p>	
<p>Part Numbers</p> <p>EVPAFKB65</p> <p>EVPAFFB65</p>	<p>Operating Force</p> <p>1.3 N</p> <p>1.6 N</p>	<p>Height</p> <p>0.65 mm</p> <p>0.65 mm</p>	<p>Operating Life</p> <p>100,000 cycles</p> <p>100,000 cycles</p>
<p>No. 2</p> <p>EVPAF</p> <p>(Embossed Taping)</p> <p>With J-bent terminals</p> 	  	<p>General dimension tolerance : ± 0.1 () dimensions are reference dimensions.</p>    <p>PWB land pattern for reference</p> <p>Part of A-A' terminal is exposed at  area. Any land pattern or vias shall not be provided at  area.</p>	
<p>Part Numbers</p> <p>EVPAF5B70</p> <p>EVPAF7B70</p>	<p>Operating Force</p> <p>3.4 N</p> <p>2.4 N</p>	<p>Height</p> <p>0.70 mm</p> <p>0.70 mm</p>	<p>Operating Life</p> <p>100,000 cycles</p> <p>500,000 cycles</p>

Design and specifications are each subject to change without notice. Ask factory for the current technical specifications before purchase and/or use.
Should a safety concern arise regarding this product, please be sure to contact us immediately.

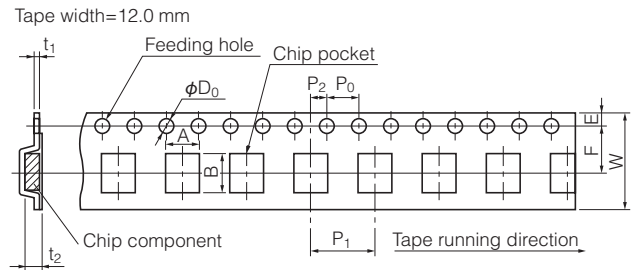
■ Dimensions in mm (not to scale)

<p>No. 3</p> <p>EVPAF</p> <p>Low profile (Embossed Taping)</p> <p>With J-bent terminals</p> 	<p>General dimension tolerance : ± 0.1 () dimensions are reference dimensions.</p>  <p>(Without the remainder of the gate)</p>   <p>PWB land pattern for reference</p> <p>Part of A-A' terminal is exposed at  area. Any land pattern or vias shall not be provided at  area.</p>  <p>Circuit diagram</p>		
Part Numbers	Operating Force	Height	Operating Life
EVPOAFB65	1.6 N	0.65 mm	500,000 cycles
EVPAF7B65	2.4 N	0.65 mm	500,000 cycles
EVPAF5B65	3.4 N	0.65 mm	100,000 cycles

■ Recommended Reflow Soldering Conditions



● Embossed Carrier Taping



Taping condition : Lack of products in the middle of taping should be one MAX, but total quantity specified in the specifications should be secured.

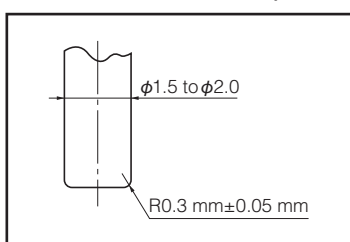
Peeling off strength of top tape : It should be within 0.2N to 1.0N at 165 degree in peeling off angle.

Joint of carrier tape : One joint per one reel may exist.

Unit: mm

Part No.	Height	A	B	W	F	E	P ₁	P ₂	P ₀	D ₀ Dia	t ₁	t ₂
EVPAF	0.65/0.70	3.75±0.2	2.95±0.2	12.0±0.3	5.5±0.1	1.75±0.1	8.0±0.1	2.0±0.1	4.0±0.1	1.5±0.3	0.3±0.1	0.8±0.2
EVPOAF												

■ Recommended Shape of Test Pole



Design and specifications are each subject to change without notice. Ask factory for the current technical specifications before purchase and/or use.
Should a safety concern arise regarding this product, please be sure to contact us immediately.

X-ON Electronics

Largest Supplier of Electrical and Electronic Components

Click to view similar products for [Tactile Switches](#) category:

Click to view products by [Panasonic](#) manufacturer:

Other Similar products are found below :

[5GTH92001](#) [5GTH9202242](#) [1-1977120-4](#) [ADTSA62RV](#) [ADTSA63KV](#) [ADTSA644NV](#) [ADTSMW66NV](#) [ADTSMW67RV](#) [B3F-3123](#) [B3F-6055A](#) [B3F-B32-01-KIT](#) [1977177-8](#) [1977266-1](#) [ADTS644KV](#) [ADTSA61RV](#) [ADTSA62KV](#) [ADTSA63NV](#) [ADTSA63RV](#) [ADTSM21NSVTR](#) [ADTSM32NVTR](#) [ADTSM63SVTR](#) [ADTSM644KVTR](#) [ADTSMW64RV](#) [ADTSMW69NV](#) [FSMRA4JHA04](#) [GS4.70F300QP](#) [3ESH9R](#) [506E00201](#) [MJTP1164TR](#) [3FTL600RAS](#) [3FTL640RAS](#) [Y96K132V0FPLFS](#) [101-TS5022T1601-EV](#) [5GSH92001](#) [KSJ0A231](#) [80SH LFG](#) [EVQ-P1D05K](#) [MJTP1162TR](#) [ADTSM63KV](#) [2-1977120-7](#) [TSJW-5.2-260-TR](#) [KMT011MNGJLHS](#) [B3WN6002S](#) [ADTSA648RV](#) [70-201.0](#) [ADTSM62KSVTR](#) [ATA600VTR](#) [ADTSG66RV](#) [ADTS61NV](#) [ADTSM62KVTR](#) [ADTSM25KSVB](#)