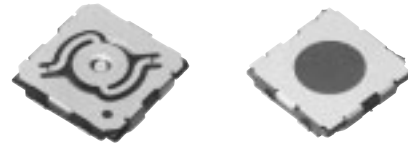


6 mm Square Thin Type Double-action SMD Light Touch Switches

Type: **EVQPR/EVQQ0/EVQ3PR**



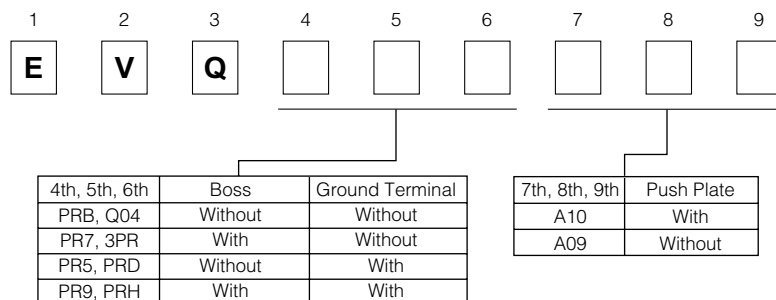
■ Features

- External dimensions : 6.0 mm×6.0 mm,
Height : 0.9 mm (Without push plate)
0.95 mm (With push plate)
- Wide selection of double action operating variations
With push plate : 1st 0.7 N, 2nd 2.6 N
Without push plate : 1st 1.0 N, 2nd 2.6 N
- Wide selection of double action operating variations

■ Recommended Applications

- Camera function
(Digital still cameras, Camcorders, Mobile phones, etc.)
- Operating switches for menu scrolling and confirmation for portable equipment.

■ Explanation of Part Numbers

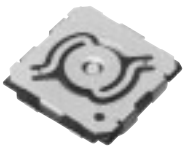
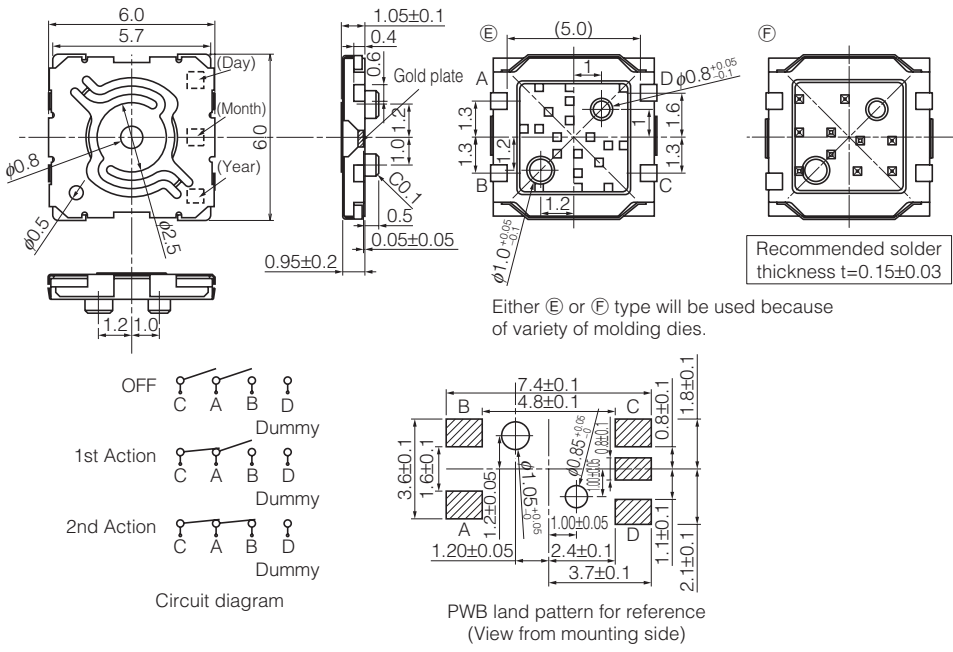
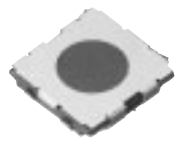
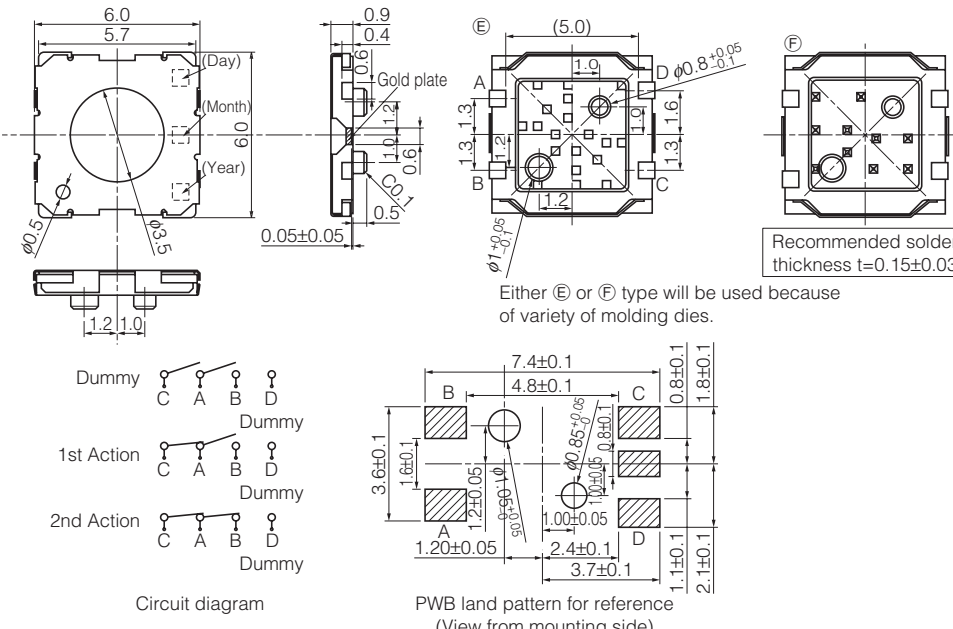


■ Specifications

Type		Snap action/Push-on type SPDT	
Push Plate type		With Push Plate	Without Push Plate
Electrical	Rating	10 μ A 2 Vdc to 20 mA 15 Vdc (Resistive load)	
	Contact Resistance	100 m Ω max.	
	Insulation Resistance	50 M Ω min.	
	Dielectric Withstanding Voltage	100 Vac for 1 minute	
	Bouncing	3 ms max. (ON) 20 ms max. (OFF)	
Mechanical	Operating Force	1st : 0.7 N	1st : 1.0 N
		2nd : 2.6 N	2nd : 2.6 N
	Travel	1st: 0.4 mm	2nd: 0.6 mm
Endurance	Operating Life	30000 cycles min.	
Operating Temperature		-20 °C to +70 °C	
Storage Temperature		-40 °C to +85 °C (Bulk) -20 °C to +60 °C (Taping)	
Minimum Quantity/Packing Unit		5000 pcs. Embossed Taping (Reel Pack)	
Quantity/Carton		25000 pcs.	

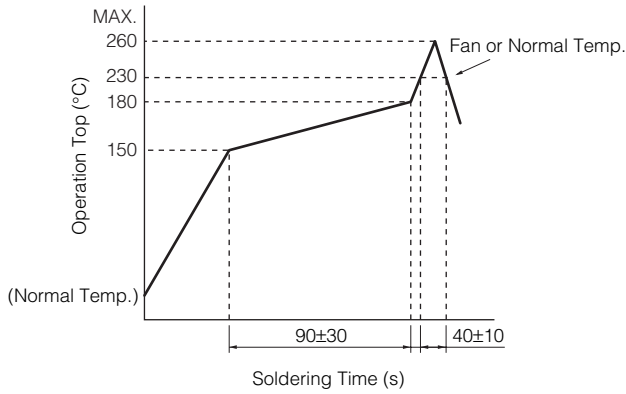
Design and specifications are each subject to change without notice. Ask factory for the current technical specifications before purchase and/or use.
Should a safety concern arise regarding this product, please be sure to contact us immediately.

■ Dimensions in mm (not to scale)

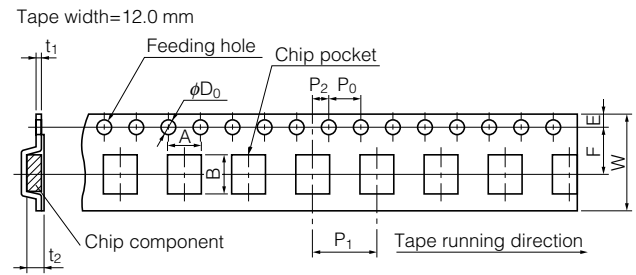
<p>No. 1</p> <p>With Push Plate</p> <p>EVQQ0 EVQPR</p> <p>(Mounting base with Boss) (With ground terminal)</p> 	 <p>Either ⑤ or ⑥ type will be used because of variety of molding dies.</p> <p>Recommended solder thickness $t=0.15\pm0.03$</p> <p>Circuit diagram</p> <p>PWB land pattern for reference (View from mounting side)</p>				
<p>Part Numbers</p> <p>EVQQ04A10</p> <p>EVQPR7A10</p> <p>EVQPR5A10</p> <p>EVQPR9A10</p>	<p>Ground Terminal</p> <p>Without</p> <p>Without</p> <p>With</p> <p>With</p>	<p>Boss</p> <p>Without</p> <p>With</p> <p>Without</p> <p>With</p>	<p>Operating Force</p> <p>1st/0.7 N, 2nd/2.6 N</p> <p>1st/0.7 N, 2nd/2.6 N</p> <p>1st/0.7 N, 2nd/2.6 N</p> <p>1st/0.7 N, 2nd/2.6 N</p>	<p>Height</p> <p>0.95 mm</p> <p>0.95 mm</p> <p>0.95 mm</p> <p>0.95 mm</p>	<p>Operating Life</p> <p>30000 cycles</p> <p>30000 cycles</p> <p>30000 cycles</p> <p>30000 cycles</p>
<p>No. 2</p> <p>Without Push Plate</p> <p>EVQPR EVQ3PR</p> <p>(Mounting base with Boss) (With ground terminal)</p> 	 <p>Either ⑤ or ⑥ type will be used because of variety of molding dies.</p> <p>Recommended solder thickness $t=0.15\pm0.03$</p> <p>Circuit diagram</p> <p>PWB land pattern for reference (View from mounting side)</p>				
<p>Part Numbers</p> <p>EVQPRBA09</p> <p>EVQ3PRA09</p> <p>EVQPRDA09</p> <p>EVQPRHA09</p>	<p>Ground Terminal</p> <p>Without</p> <p>Without</p> <p>With</p> <p>With</p>	<p>Boss</p> <p>Without</p> <p>With</p> <p>Without</p> <p>With</p>	<p>Operating Force</p> <p>1st/1.0 N, 2nd/2.6 N</p> <p>1st/1.0 N, 2nd/2.6 N</p> <p>1st/1.0 N, 2nd/2.6 N</p> <p>1st/1.0 N, 2nd/2.6 N</p>	<p>Height</p> <p>0.9 mm</p> <p>0.9 mm</p> <p>0.9 mm</p> <p>0.9 mm</p>	<p>Operating Life</p> <p>30000 cycles</p> <p>30000 cycles</p> <p>30000 cycles</p> <p>30000 cycles</p>

Design and specifications are each subject to change without notice. Ask factory for the current technical specifications before purchase and/or use. Should a safety concern arise regarding this product, please be sure to contact us immediately.

Recommended Reflow Soldering Conditions



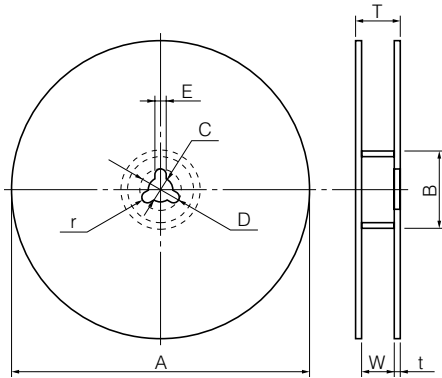
Embossed Carrier Taping



Unit: mm

Part No.	Height	A	B	W	F	E	P ₁	P ₂	P ₀	D ₀ Dia.	t ₁	t ₂
EVQPR/Q0/3PR	0.9, 0.95	6.3±0.3	6.3±0.3	12.0±0.3	5.50±0.15	1.75±0.15	8.00±0.15	2.00±0.15	4.00±0.15	1.5 ^{+0.1} ₋₀	0.30±0.05	1.7 ^{+0.2} _{-0.1}

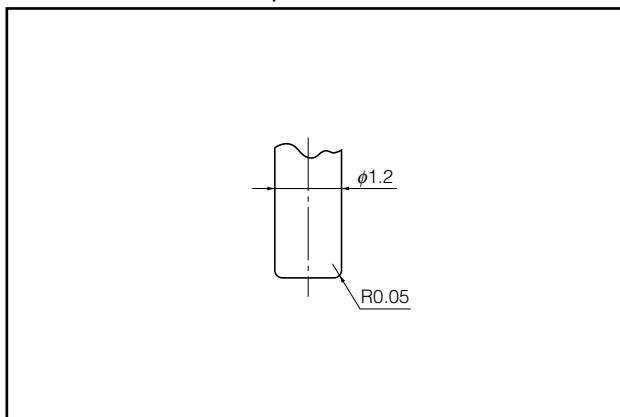
Standard Reel Dimensions in mm (not to scale)



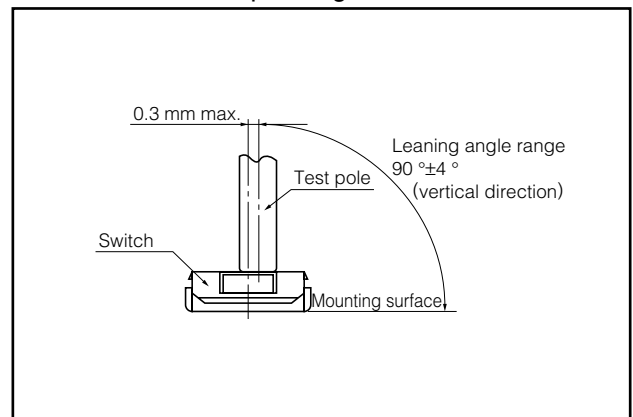
Item	A	B	C	D	E
Rate (mm)	φ380.0±2.0	φ80.0±1.0	φ13.0±0.2	φ21.0±0.8	2.0±0.5

Item	W	T	t	r
Rate (mm)	13.5±1.0	17.5±1.0	1.0 to 3.0	1.0±0.5

Recommended Shape of Test Pole



Recommended Operating Conditions



Design and specifications are each subject to change without notice. Ask factory for the current technical specifications before purchase and/or use. Should a safety concern arise regarding this product, please be sure to contact us immediately.

X-ON Electronics

Largest Supplier of Electrical and Electronic Components

Click to view similar products for [Tactile Switches](#) category:

Click to view products by [Panasonic](#) manufacturer:

Other Similar products are found below :

[KMR633NG](#) [LFG](#) [5GTH9202242](#) [6426-201-11343](#) [MJ1226](#) [MJTP1230BL](#) [MJTPSHW](#) [1-1977223-0](#) [1-1977120-4](#) [ADTSA62NV](#)
[ADTSA62RV](#) [ADTSA63KV](#) [ADTSA644NV](#) [ADTSM24NVTR](#) [ADTSMW66NV](#) [ADTSMW67RV](#) [ATM533VTR](#) [B3F-3123](#) [B3F-6055A](#)
[B3F-B32-01-KIT](#) [1977177-8](#) [1977266-1](#) [2-1977223-4](#) [2-1977223-7](#) [ADTS644KV](#) [ADTSA61RV](#) [ADTSA62KV](#) [ADTSA63NV](#)
[ADTSA63RV](#) [ADTSA65NV](#) [ADTSM21NSVTR](#) [ADTSM25RVTR](#) [ADTSM32NVTR](#) [ADTSM61YVTR](#) [ADTSM63SVTR](#)
[ADTSM644KVTR](#) [ADTSMW64RV](#) [ADTSMW69NV](#) [FSMRA4JHA04](#) [D38999/20JJ37SA](#) [TL1105B](#) [TL1105J](#) [ATM534VTR](#) [MJ1221](#)
[MJ1227](#) [506E00201](#) [MJTP1109A](#) [MJTPSHWA](#) [MJTPSJW69N](#) [3FTL600RAS](#) [3FTL640RAS](#)