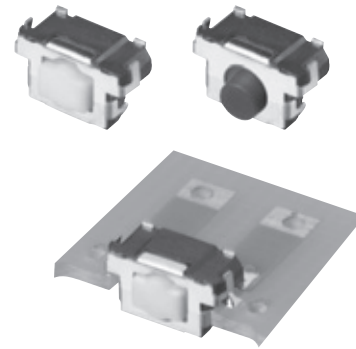


### 6.2 mm×2.5 mm Side-operational Edge Mount

### Light Touch Switches

Type: **EVQP4**



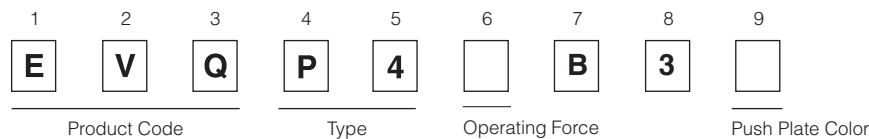
#### ■ Features

- External dimensions : 6.2 mm×2.55 mm (Excluding the push plate), Height 3.5 mm (Printed circuit board being as low as 1.35 mm)
- Side-operational Middle Travel ( 0.7 mm ) with a high operating force (5.0 N)
- Improved soldering strength in the operating direction when mounted on PC board edge

#### ■ Recommended Applications

- Operation switches for portable electronic equipment (Mobile phones, Digital still cameras, Camcorders, Portable audio players, etc.)
- Keyless entry (car electronics)
- Car audio equipment

#### ■ Explanation of Part Numbers


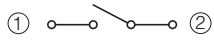
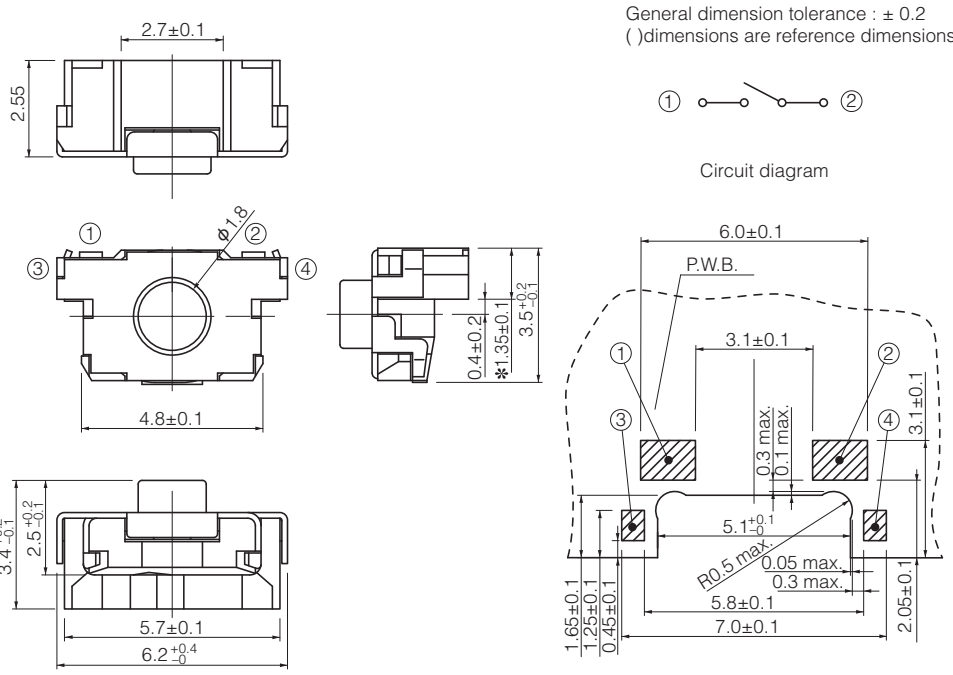

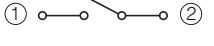
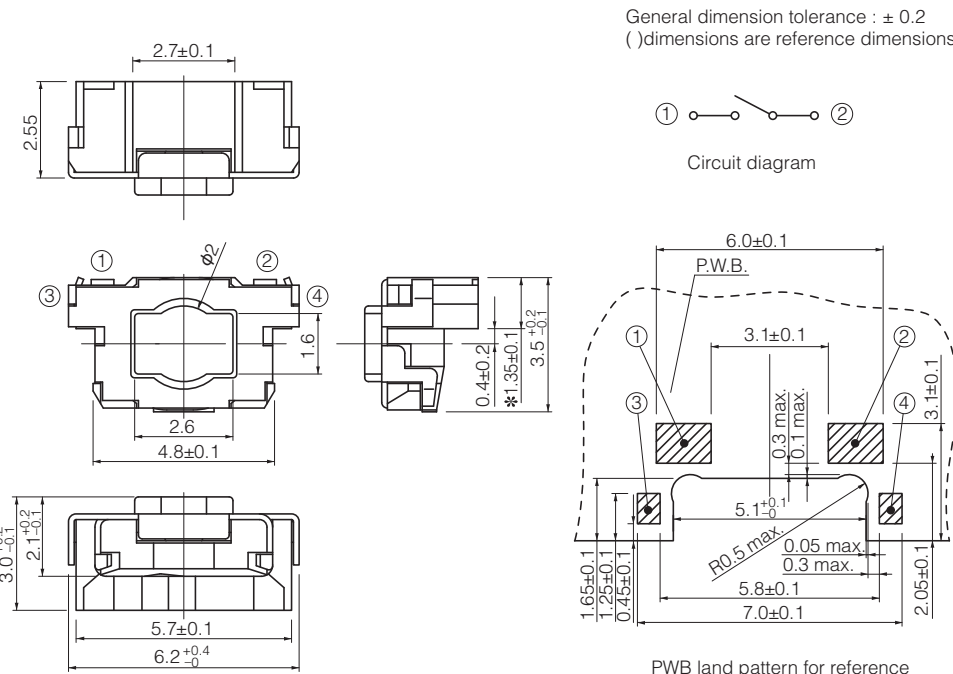


#### ■ Specifications

Travel Type		Middle Travel	Short Travel
Type		Snap action / Push-on type SPST	
Electrical	Rating	10 μA 2 V DC to 20 mA 15 V DC (Resistive load)	
	Contact Resistance	100 mΩ max.	
	Insulation Resistance	100 MΩ min. (at 100 V DC)	
	Dielectric Withstanding Voltage	250 V AC for 1 minute	
	Bouncing	10 ms max. (ON, OFF)	
Mechanical	Operating Force	2.5 N, 3.5 N, 5.0 N	1.0 N, 1.6 N, 2.4 N, 3.5 N
	Travel	0.70 mm±0.2 mm	0.25 mm <sup>+0.05</sup> / <sub>-0.15</sub> mm
	Push Strength	50 N (1 minute)	
Endurance	Operating Life	2.5 N:1,000,000 cycles min.	1.0 N, 1.6 N:1,000,000 cycles min.
		3.5 N: 500,000 cycles min.	2.4 N: 500,000 cycles min.
		5.0 N: 200,000 cycles min.	3.5 N: 200,000 cycles min.
Operating Temperature		-40 °C to +85 °C	
Storage Temperature		-40 °C to +85 °C (Bulk) -20 °C to +60 °C (Taping)	
Minimum Quantity/Packing Unit		2,500 pcs. Embossed Taping (Reel Pack)	
Quantity/Carton		12,500 pcs.	

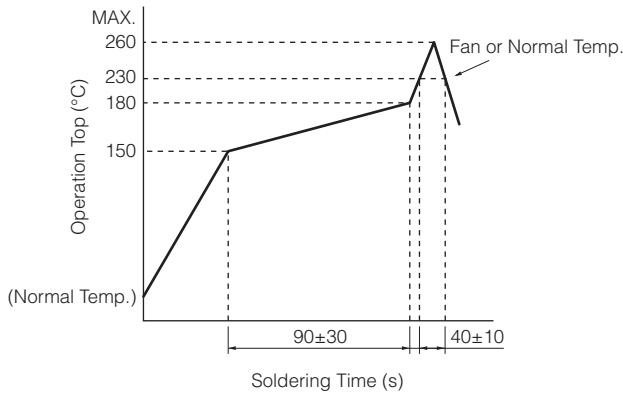
Design and specifications are each subject to change without notice. Ask factory for the current technical specifications before purchase and/or use.  
Should a safety concern arise regarding this product, please be sure to contact us immediately.

### ■ Dimensions in mm (not to scale)

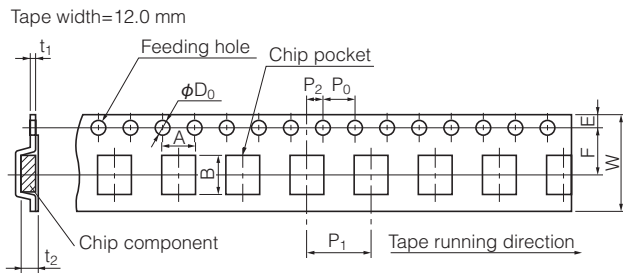
<p>No. 1</p> <p>EVQP4</p> <p>Middle travel</p> 	<p>General dimension tolerance : ± 0.2 ( ) dimensions are reference dimensions.</p>  <p>Circuit diagram</p>  <p>* Height from surface of PCB : 1.35 mm</p>			
<p>Part Numbers</p> <p>EVQP4HB3B</p> <p>EVQP4KB3Q</p> <p>EVQP4MB3K</p>	<p>Operating Force</p> <p>2.5 N</p> <p>3.5 N</p> <p>5.0 N</p>	<p>Height</p> <p>3.5 mm</p> <p>3.5 mm</p> <p>3.5 mm</p>	<p>Push Plate Color</p> <p>Blue</p> <p>Gray</p> <p>Black</p>	<p>Operating Life</p> <p>1,000,000 cycles</p> <p>500,000 cycles</p> <p>200,000 cycles</p>
<p>No. 2</p> <p>EVQP4</p> <p>Short travel</p> 	<p>General dimension tolerance : ± 0.2 ( ) dimensions are reference dimensions.</p>  <p>Circuit diagram</p>  <p>* Height from surface of PCB : 1.35 mm</p>			
<p>Part Numbers</p> <p>EVQP40B3M</p> <p>EVQP42B3M</p> <p>EVQP44B3M</p> <p>EVQP46B3M</p>	<p>Operating Force</p> <p>1.0 N</p> <p>1.6 N</p> <p>2.4 N</p> <p>3.5 N</p>	<p>Height</p> <p>3.5 mm</p> <p>3.5 mm</p> <p>3.5 mm</p> <p>3.5 mm</p>	<p>Push Plate Color</p> <p>Natural</p> <p>Natural</p> <p>Natural</p> <p>Natural</p>	<p>Operating Life</p> <p>1,000,000 cycles</p> <p>1,000,000 cycles</p> <p>500,000 cycles</p> <p>200,000 cycles</p>

Design and specifications are each subject to change without notice. Ask factory for the current technical specifications before purchase and/or use.  
Should a safety concern arise regarding this product, please be sure to contact us immediately.

## ■ Recommended Reflow Soldering Conditions



## ● Embossed Carrier Taping



Taping condition : Lack of products in the middle of taping should be one MAX, but total quantity specified in the specifications should be secured.

Peeling off strength of top tape : It should be within 0.2N to 1.0N at 165 degree in peeling off angle.

Joint of carrier tape : One joint per one reel may exist.

Unit: mm

Part No.	Height	A	B	W	F	E	P <sub>1</sub>	P <sub>2</sub>	P <sub>0</sub>	D <sub>0</sub> Dia.	t <sub>1</sub>	t <sub>2</sub>
EVQP4	3.5	6.5±0.2	3.9±0.2	12.0±0.3	5.5±0.1	1.75±0.10	8.0±0.1	2.0±0.1	4.0±0.1	1.5 <sup>+0.1</sup> <sub>-0</sub>	0.4±0.1	3.75±0.20

## X-ON Electronics

Largest Supplier of Electrical and Electronic Components

*Click to view similar products for [Tactile Switches](#) category:*

*Click to view products by [Panasonic](#) manufacturer:*

Other Similar products are found below :

[KMR633NG LFG](#) [5GTH92001](#) [5GTH9202242](#) [6426-201-11343](#) [MJ1226](#) [MJTP1109B](#) [MJTP1138EAUTR](#) [MJTP1230BL](#) [MJTPSHW](#)  
[GS6.90F300QP](#) [1-1977223-0](#) [1-1977120-4](#) [ADTSA62NV](#) [ADTSA62RV](#) [ADTSA63KV](#) [ADTSA644NV](#) [ADTSM24NVTR](#) [ADTSMW66NV](#)  
[ADTSMW67RV](#) [ATM533VTR](#) [1571300-3](#) [B3F-3123](#) [B3F-6055A](#) [B3F-B32-01-KIT](#) [1977177-8](#) [1977266-1](#) [2-1977223-4](#) [2-1977223-7](#)  
[ADTS644KV](#) [ADTSA61RV](#) [ADTSA62KV](#) [ADTSA63NV](#) [ADTSA63RV](#) [ADTSA65NV](#) [ADTSM21NSVTR](#) [ADTSM25RVTR](#)  
[ADTSM31RVTR](#) [ADTSM32NVTR](#) [ADTSM61YVTR](#) [ADTSM63SVTR](#) [ADTSM644KVTR](#) [ADTSMW64RV](#) [ADTSMW69NV](#)  
[FSMRA4JHA04](#) [GS4.70F300QP](#) [D38999/20JJ37SA](#) [TL1105B](#) [TL1105J](#) [ATH447K2Q](#) [ATM534VTR](#)