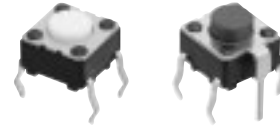


### 5N Type Light Touch Switches

Type: **EVQPA/EVQPB**



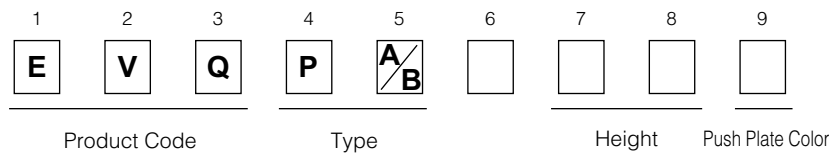
#### ■ Features

- Wealth of product types: With or without a ground terminal, vertical type, snap-in terminals, etc.
- Can be automatically dip-soldered: Integral molding of the terminals and main body prevents the escape of flux.

#### ■ Recommended Applications

- Operating switches for other electronic equipment

#### ■ Explanation of Part Numbers



#### ■ Product Chart

○=In production

Operating Force	Positioning Pin	Ground Terminal	Height			
			4.3 mm	5.0 mm	7.0 mm	9.5 mm
1.0 N	Without positioning pin	With ground terminal	○	○	○	○
		Without ground terminal	○	○	○	○
1.3 N	Without positioning pin	With ground terminal	○	○	○	○
		Without ground terminal	○	○	○	○
1.6 N	Without positioning pin	With ground terminal	○	○	○	○
		Without ground terminal	○	○	○	○
2.6 N	Without positioning pin	With ground terminal	○	○	○	○
		Without ground terminal	○	○	○	○

#### ■ Specifications

Type		Snap action/Push-on type SPST	
Electrical	Circuit Diagram		
	Rating	10 μA 2 Vdc to 20 mA 15 Vdc (Resistiv load)	
	Contact Resistance	50 mΩ max.	
	Insulation Resistance	50 MΩ min. (at 100 Vdc)	
	Dielectric Withstanding Voltage	250 Vac for 1 minute	
	Bouncing	3 ms max. (ON) 8 ms max. (OFF)	
Mechanical	Operating Force	1.0 N±0.4 N 1.3 N±0.4 N 1.6 N±0.5 N	2.6 N±0.6 N
	Travel	0.25 mm±0.10 mm	
Endurance	Operating Life	100000 cycles min.*	50000 cycles min.
Operating Temperature		-20 °C to +70 °C	
Storage Temperature		-40 °C to +85 °C (Bulk)	
Minimum Quantity/ Packing Unit	Top-push	500 pcs. Polyethylene Bag (Bulk)	
Quantity/Cartron	Top-push	10000 pcs.	

\*1 million cycles also available, consult our salesmen.


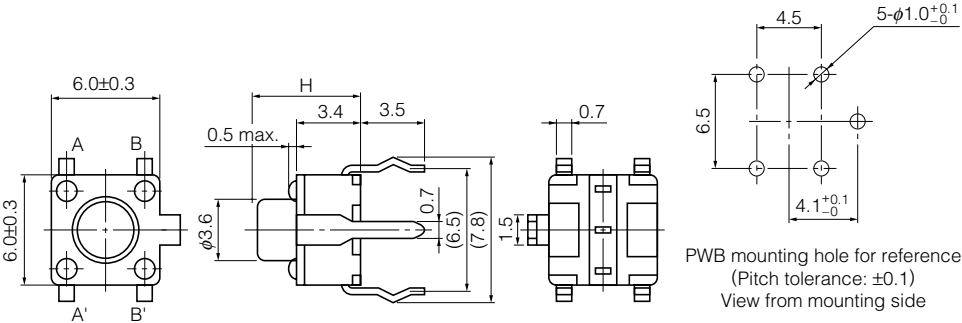
Design and specifications are each subject to change without notice. Ask factory for the current technical specifications before purchase and/or use. Should a safety concern arise regarding this product, please be sure to contact us immediately.

■ Dimensions in mm (not to scale)

<p>No. 1</p> <p>EVQPA</p> <p>Without ground terminal</p>																																																																																									
<table border="1"> <thead> <tr> <th>Part Numbers</th> <th>Operating Force</th> <th>H=Height</th> <th>Push Plate Color</th> <th>Operating Life</th> </tr> </thead> <tbody> <tr><td>EVQPAC04M</td><td>1.0 N</td><td>4.3 mm</td><td>White</td><td>100000 cycles</td></tr> <tr><td>EVQPAC05R</td><td>1.0 N</td><td>5.0 mm</td><td>Red</td><td>100000 cycles</td></tr> <tr><td>EVQPAC07K</td><td>1.0 N</td><td>7.0 mm</td><td>Black</td><td>100000 cycles</td></tr> <tr><td>EVQPAC09K</td><td>1.0 N</td><td>9.5 mm</td><td>Black</td><td>100000 cycles</td></tr> <tr><td>EVQPAD04M</td><td>1.3 N</td><td>4.3 mm</td><td>White</td><td>100000 cycles</td></tr> <tr><td>EVQPAD05R</td><td>1.3 N</td><td>5.0 mm</td><td>Red</td><td>100000 cycles</td></tr> <tr><td>EVQPAD07K</td><td>1.3 N</td><td>7.0 mm</td><td>Black</td><td>100000 cycles</td></tr> <tr><td>EVQPAD09K</td><td>1.3 N</td><td>9.5 mm</td><td>Black</td><td>100000 cycles</td></tr> <tr><td>EVQPAE04M</td><td>1.6 N</td><td>4.3 mm</td><td>White</td><td>100000 cycles</td></tr> <tr><td>EVQPAE05R</td><td>1.6 N</td><td>5.0 mm</td><td>Red</td><td>100000 cycles</td></tr> <tr><td>EVQPAE07K</td><td>1.6 N</td><td>7.0 mm</td><td>Black</td><td>100000 cycles</td></tr> <tr><td>EVQPAE09K</td><td>1.6 N</td><td>9.5 mm</td><td>Black</td><td>100000 cycles</td></tr> <tr><td>EVQPAG04M</td><td>2.6 N</td><td>4.3 mm</td><td>White</td><td>50000 cycles</td></tr> <tr><td>EVQPAG05R</td><td>2.6 N</td><td>5.0 mm</td><td>Red</td><td>50000 cycles</td></tr> <tr><td>EVQPAG07K</td><td>2.6 N</td><td>7.0 mm</td><td>Black</td><td>50000 cycles</td></tr> <tr><td>EVQPAG09K</td><td>2.6 N</td><td>9.5 mm</td><td>Black</td><td>50000 cycles</td></tr> </tbody> </table>	Part Numbers	Operating Force	H=Height	Push Plate Color	Operating Life	EVQPAC04M	1.0 N	4.3 mm	White	100000 cycles	EVQPAC05R	1.0 N	5.0 mm	Red	100000 cycles	EVQPAC07K	1.0 N	7.0 mm	Black	100000 cycles	EVQPAC09K	1.0 N	9.5 mm	Black	100000 cycles	EVQPAD04M	1.3 N	4.3 mm	White	100000 cycles	EVQPAD05R	1.3 N	5.0 mm	Red	100000 cycles	EVQPAD07K	1.3 N	7.0 mm	Black	100000 cycles	EVQPAD09K	1.3 N	9.5 mm	Black	100000 cycles	EVQPAE04M	1.6 N	4.3 mm	White	100000 cycles	EVQPAE05R	1.6 N	5.0 mm	Red	100000 cycles	EVQPAE07K	1.6 N	7.0 mm	Black	100000 cycles	EVQPAE09K	1.6 N	9.5 mm	Black	100000 cycles	EVQPAG04M	2.6 N	4.3 mm	White	50000 cycles	EVQPAG05R	2.6 N	5.0 mm	Red	50000 cycles	EVQPAG07K	2.6 N	7.0 mm	Black	50000 cycles	EVQPAG09K	2.6 N	9.5 mm	Black	50000 cycles				
Part Numbers	Operating Force	H=Height	Push Plate Color	Operating Life																																																																																					
EVQPAC04M	1.0 N	4.3 mm	White	100000 cycles																																																																																					
EVQPAC05R	1.0 N	5.0 mm	Red	100000 cycles																																																																																					
EVQPAC07K	1.0 N	7.0 mm	Black	100000 cycles																																																																																					
EVQPAC09K	1.0 N	9.5 mm	Black	100000 cycles																																																																																					
EVQPAD04M	1.3 N	4.3 mm	White	100000 cycles																																																																																					
EVQPAD05R	1.3 N	5.0 mm	Red	100000 cycles																																																																																					
EVQPAD07K	1.3 N	7.0 mm	Black	100000 cycles																																																																																					
EVQPAD09K	1.3 N	9.5 mm	Black	100000 cycles																																																																																					
EVQPAE04M	1.6 N	4.3 mm	White	100000 cycles																																																																																					
EVQPAE05R	1.6 N	5.0 mm	Red	100000 cycles																																																																																					
EVQPAE07K	1.6 N	7.0 mm	Black	100000 cycles																																																																																					
EVQPAE09K	1.6 N	9.5 mm	Black	100000 cycles																																																																																					
EVQPAG04M	2.6 N	4.3 mm	White	50000 cycles																																																																																					
EVQPAG05R	2.6 N	5.0 mm	Red	50000 cycles																																																																																					
EVQPAG07K	2.6 N	7.0 mm	Black	50000 cycles																																																																																					
EVQPAG09K	2.6 N	9.5 mm	Black	50000 cycles																																																																																					

Design and specifications are each subject to change without notice. Ask factory for the current technical specifications before purchase and/or use.  
Should a safety concern arise regarding this product, please be sure to contact us immediately.

■ Dimensions in mm (not to scale)

<p>No. 2</p> <p><b>EVQPB</b></p> <p>With ground terminal</p>				
				
Part Numbers	Operating Force	H=Height	Push Plate Color	Operating Life
EVQPBC04M	1.0 N	4.3 mm	White	100000 cycles
EVQPBC05R	1.0 N	5.0 mm	Red	100000 cycles
EVQPBC07K	1.0 N	7.0 mm	Black	100000 cycles
EVQPBC09K	1.0 N	9.5 mm	Black	100000 cycles
EVQPBD04M	1.3 N	4.3 mm	White	100000 cycles
EVQPBD05R	1.3 N	5.0 mm	Red	100000 cycles
EVQPBD07K	1.3 N	7.0 mm	Black	100000 cycles
EVQPBD09K	1.3 N	9.5 mm	Black	100000 cycles
EVQPBE04M	1.6 N	4.3 mm	White	100000 cycles
EVQPBE05R	1.6 N	5.0 mm	Red	100000 cycles
EVQPBE07K	1.6 N	7.0 mm	Black	100000 cycles
EVQPBE09K	1.6 N	9.5 mm	Black	100000 cycles
EVQPBG04M	2.6 N	4.3 mm	White	50000 cycles
EVQPBG05R	2.6 N	5.0 mm	Red	50000 cycles
EVQPBG07K	2.6 N	7.0 mm	Black	50000 cycles
EVQPBG09K	2.6 N	9.5 mm	Black	50000 cycles

Design and specifications are each subject to change without notice. Ask factory for the current technical specifications before purchase and/or use. Should a safety concern arise regarding this product, please be sure to contact us immediately.

## X-ON Electronics

Largest Supplier of Electrical and Electronic Components

*Click to view similar products for [Tactile Switches](#) category:*

*Click to view products by [Panasonic](#) manufacturer:*

Other Similar products are found below :

[5GTH92001](#) [5GTH9202242](#) [1-1977120-4](#) [ADTSA62RV](#) [ADTSA63KV](#) [ADTSA644NV](#) [ADTSMW66NV](#) [ADTSMW67RV](#) [B3F-3123](#) [B3F-6055A](#) [B3F-B32-01-KIT](#) [1977177-8](#) [1977266-1](#) [ADTS644KV](#) [ADTSA61RV](#) [ADTSA62KV](#) [ADTSA63NV](#) [ADTSA63RV](#) [ADTSM21NSVTR](#) [ADTSM32NVTR](#) [ADTSM63SVTR](#) [ADTSM644KVTR](#) [ADTSMW64RV](#) [ADTSMW69NV](#) [FSMRA4JHA04](#) [GS4.70F300QP](#) [3ESH9R](#) [506E00201](#) [MJTP1164TR](#) [3FTL600RAS](#) [3FTL640RAS](#) [Y96K132V0FPLFS](#) [101-TS5022T1601-EV](#) [5GSH92001](#) [KSJ0A231](#) [80SH LFG](#) [EVQ-P1D05K](#) [MJTP1162TR](#) [ADTSM63KV](#) [2-1977120-7](#) [TSJW-5.2-260-TR](#) [KMT011MNGJLHS](#) [B3WN6002S](#) [ADTSA648RV](#) [70-201.0](#) [ADTSM62KSVTR](#) [ATA600VTR](#) [ADTSG66RV](#) [ADTS61NV](#) [ADTSM62KVTR](#) [ADTSM25KSVB](#)