

### 6.0 mm×3.5 mm Square Light Touch Switches

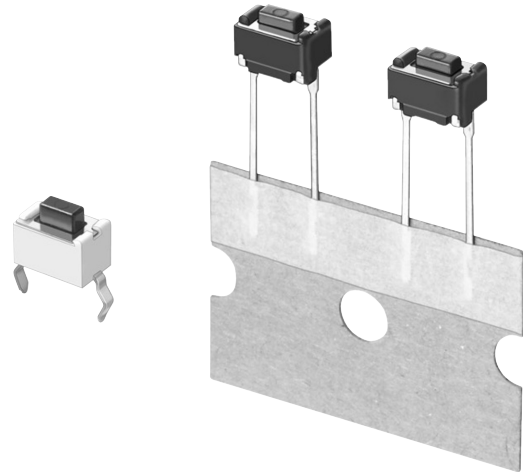
Japan

Type: **EVQPJ**

6.0 mm×3.5 mm size, narrow width type

#### ■ Features

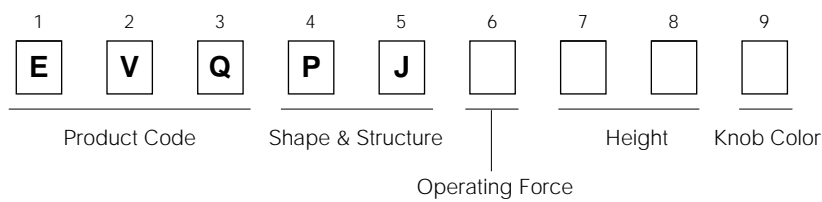
- 6.0 mm×3.5 mm-type for space saving, high-density mounting
- Excellent clear click feeling
- Wave soldering available
- Excellent soldering heat endurance due to heat-resistant resin
- Excellent mounting efficiency with radial taping package



#### ■ Recommended Applications

- Car Audio Equipment
- Compact Disc Players
- Operating switches for Electronic Equipment

#### ■ Explanation of Part Numbers



#### ■ Product Chart

Operating Force	Type	Bulk Type	SMD	Radial Taping	Height
	1.0 N±0.5 N		EVQPJA	EVQPJS	EVQPJG
1.6 N±0.5 N		EVQPJB	EVQPJX	EVQPJH	
2.4 N±0.6 N		EVQPJC	EVQPJU	EVQPJJ	

### Major Specifications

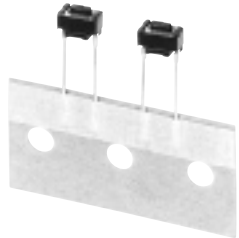
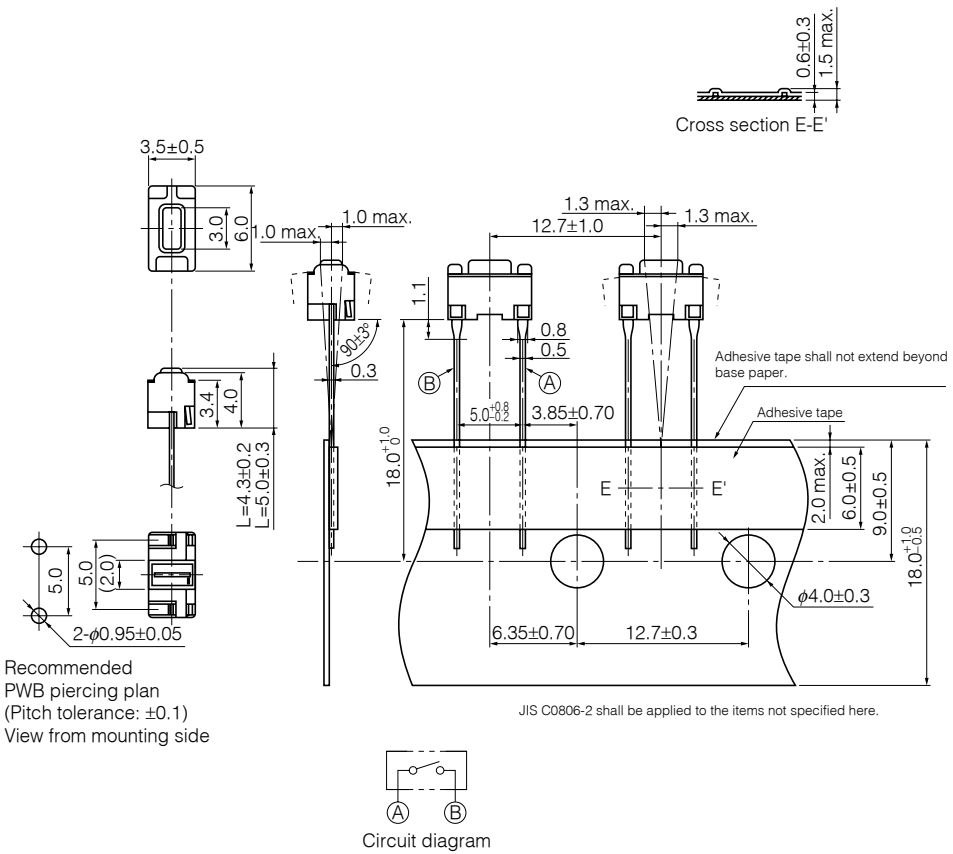
Type	Snap action/Push-on type SPST		
Electrical	Circuit Diagram		
	Rating	50 mA 12 Vdc	
	Contact Resistance	100 mΩ max.	
	Insulation Resistance	100 MΩ min. (at 100 Vdc)	
	Dielectric Withstanding Voltage	250 Vac for 1 minute	
	Bouncing	10 ms max.	
Mechanical	Operating Force	1.0 N±0.5 N (Low force type) 1.6 N±0.5 N (Standard)	2.4 N±0.6 N
	Travel	0.25 mm <sup>+0.20</sup> <sub>-0.10</sub> mm	
Endurance	Operating Life	50000 cycles min.	30000 cycles min.
	Operating Temperature	-30 °C to +85 °C	
	Storage Temperature	-40 °C to +85 °C (Bulk) -20 °C to +40 °C (Taping)	
Minimum Quantity/ Packing Unit	EVQPJA EVQPJB EVQPJC	1000 pcs. (Vinyl Bag)	
	EVQPJS EVQPJX EVQPJU	2000 pcs. (Reel Pack) (H = 5.0 mm)	2500 pcs. (Reel Pack) (H = 4.3 mm)
	EVQPJG EVQPJH EVQPJJ	2000 pcs. (Radial Taping)	
	EVQPJA EVQPJB EVQPJC	10000 pcs.	
	EVQPJS EVQPJX EVQPJU	10000 pcs. (H = 5.0 mm)	12500 pcs. (H = 4.3 mm)
	EVQPJG EVQPJH EVQPJJ	20000 pcs.	

■ Dimensions in mm (not to scale)

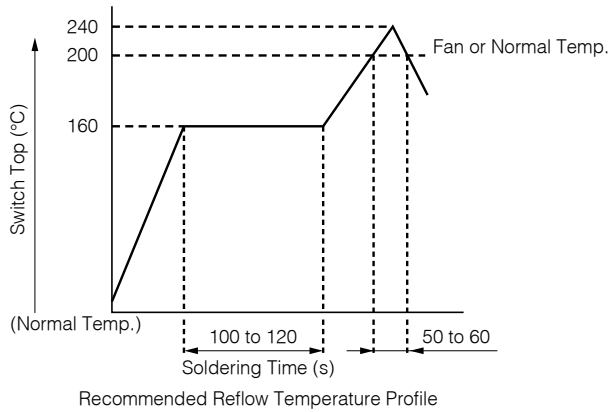
No. 1				
Japan EVQPJA EVQPJB EVQPJC (Bulk)		<p>Technical drawings for No. 1 switch including top view, side view, end view, circuit diagram, and PWB piercing plan. Dimensions include 3.5±0.5, 1.4, 1.0±0.2, 6.0, 3.0, 3.5, 0.5 max., 7.9, 6.5, 2.6, 6.5, and 2-φ1.30±0.05.</p>		
		Recommended PWB piercing plan (Pitch tolerance: ±0.1) View from mounting side		
Part Numbers	Operating Force	Height	Knob Color	Operating Life
EVQPJA04Q	1.0 N	4.3 mm	Grey	50000 cycles
EVQPJA05Q	1.0 N	5.0 mm	Grey	50000 cycles
EVQPJB04K	1.6 N	4.3 mm	Black	50000 cycles
EVQPJB05K	1.6 N	5.0 mm	Black	50000 cycles
EVQPJC04T	2.4 N	4.3 mm	Brown	30000 cycles
EVQPJC05T	2.4 N	5.0 mm	Brown	30000 cycles
No. 2				
Japan EVQPJS EVQPJX EVQPJU (Embossed Taping) 6 mm×3.5 mm Square SMD		<p>Technical drawings for No. 2 switch including top view, side view, end view, circuit diagram, and recommended land pattern. Dimensions include 3.5±0.5, 1.4, 1.0±0.2, 6.0, 3.0, 3.5, 0.5 max., 7.2 max., 1.3, 7.4, 3.4, and 1.6.</p>		
		Recommended land pattern		
Part Numbers	Operating Force	Height	Knob Color	Operating Life
EVQPJS04K	1.0 N	4.3 mm	Black	50000 cycles
EVQPJS05K	1.0 N	5.0 mm	Black	50000 cycles
EVQPJX04M	1.6 N	4.3 mm	Natural	50000 cycles
EVQPJX05M	1.6 N	5.0 mm	Natural	50000 cycles
EVQPJU04K	2.4 N	4.3 mm	Black	30000 cycles
EVQPJU05K	2.4 N	5.0 mm	Black	30000 cycles

Design, Specifications are subject to change without notice. Ask factory for technical specifications before purchase and/or use. Whenever a doubt about safety arises from this product, please inform us immediately for technical consultation without fail.

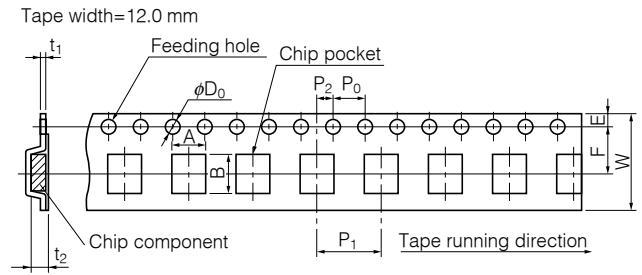
■ Dimensions in mm (not to scale)

<p>No. 3</p> <p>Japan</p> <p>EVQPJG EVQPJH EVQPJJ</p> <p>(Radial Taping)</p>				
  <p>Recommended PWB piercing plan (Pitch tolerance: ±0.1) View from mounting side</p> <p>JIS C0806-2 shall be applied to the items not specified here.</p> <p>Circuit diagram</p>				
Part Numbers	Operating Force	Height	Knob Color	Operating Life
EVQPJG04Q	1.0 N	4.3 mm	Grey	50000 cycles
EVQPJG05Q	1.0 N	5.0 mm	Grey	50000 cycles
EVQPJH04K	1.6 N	4.3 mm	Black	50000 cycles
EVQPJH05K	1.6 N	5.0 mm	Black	50000 cycles
EVQPJJ04T	2.4 N	4.3 mm	Brown	30000 cycles
EVQPJJ05T	2.4 N	5.0 mm	Brown	30000 cycles

### ■ Recommended Reflow Soldering Conditions



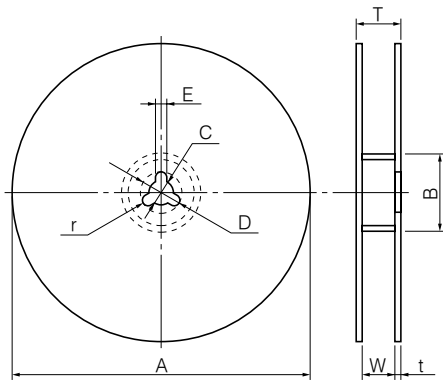
### ● Embossed Carrier Taping



Unit: mm

Part No.	Height	A	B	W	F	E	P <sub>1</sub>	P <sub>2</sub>	P <sub>0</sub>	D <sub>0</sub> Dia.	t <sub>1</sub>	t <sub>2</sub>
EVQPJS	4.3/5.0	4.45±0.20	7.25±0.20	12.0±0.3	5.5±0.1	1.75±0.10	8.0±0.1	2.0±0.1	4.0±0.1	1.5 <sup>+0.1</sup> <sub>0</sub>	0.30±0.05	4.5/5.2±0.2
EVQPJX												
EVQPJU												

### ● Standard Reel Dimensions in mm (not to scale)



Item	A	B	C	D	E
Rate (mm)	φ370.0±2.0	φ50.0 min.	φ13.0±0.5	φ21.0±1.0	2.0±0.5

Item	W	T	t	r
Rate (mm)	14.0±1.5	—	1.0 to 3.0	1.0±0.5

## X-ON Electronics

Largest Supplier of Electrical and Electronic Components

*Click to view similar products for [Tactile Switches](#) category:*

*Click to view products by [Panasonic](#) manufacturer:*

Other Similar products are found below :

[6407-250V-25273P](#) [ADTSA62NV](#) [B3F-3123](#) [1977177-8](#) [1977266-1](#) [ADTSA63NV](#) [ADTSM21NSVTR](#) [ADTSM25RVTR](#) [ADTSM32NVTR](#)  
[ADTSMW64RV](#) [1977120-6](#) [FSMRA4JHA04](#) [GS4.70F300QP](#) [KSC241J SP DELTA LFS](#) [3FTL600RAS](#) [3FTL640RAS](#) [6407-250V-25343P](#)  
[ADTSM31NVTR](#) [2-1977120-7](#) [TSJW-5.2-260-TR](#) [Y651050400P](#) [KMT011MNGJLHS](#) [70-201.0](#) [ADTSG648NV](#) [ADTSM62KSVTR](#)  
[ADTSM648NV](#) [95C06E3RAT](#) [3ATH9Q](#) [FSMRA8JHA04](#) [HARS0073](#) [Y33R411N9FPLFT](#) [Y33R51139FPLFT](#) [Y31C01402FPLFS](#)  
[PTS645SK50SMTR92](#) [ADTSM32NVB](#) [KMS233GPWTLFG](#) [Y78B64124FP](#) [Y31CJ244KFP LFS](#) [Y33A812C5FP LFT](#) [Y56B2D120FP LFS](#)  
[Y31C5144KFP LFS](#) [PTS645 DVM83-BN125-2 LFS](#) [B3W 1000G](#) [KSC621G OL LFS](#) [B3F 1002C](#) [B3F 0047H](#) [B3W 1002C](#) [B3F 5001G](#)  
[B3W 1100C](#) [1-1571563-4](#)