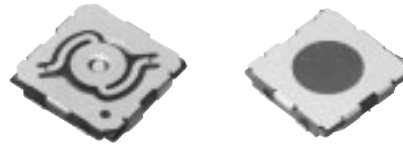


6 mm Square Thin Type Double-action SMD  
Light Touch Switches

Type: **EVQPR/EVQQ0/EVQ3PR**



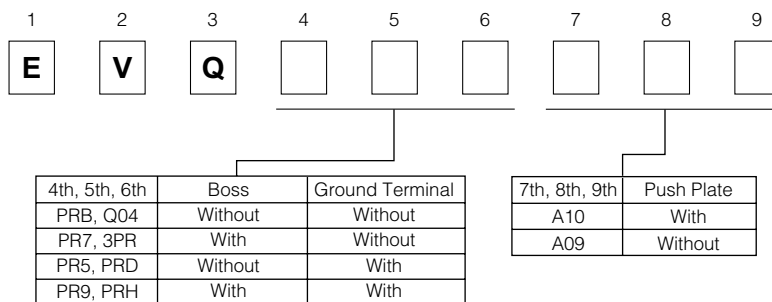
■ **Features**

- External dimensions : 6.0 mm×6.0 mm,  
Height : 0.9 mm (Without push plate)  
0.95 mm (With push plate)
- Wide selection of double action operating variations  
With push plate : 1st 0.7 N, 2nd 2.6 N  
Without push plate : 1st 1.0 N, 2nd 2.6 N
- Wide selection of double action operating variations

■ **Recommended Applications**

- Camera function  
(Digital still cameras, Camcorders, Mobile phones, etc.)
- Operating switches for menu scrolling and confirmation for portable equipment.

■ **Explanation of Part Numbers**

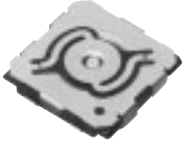
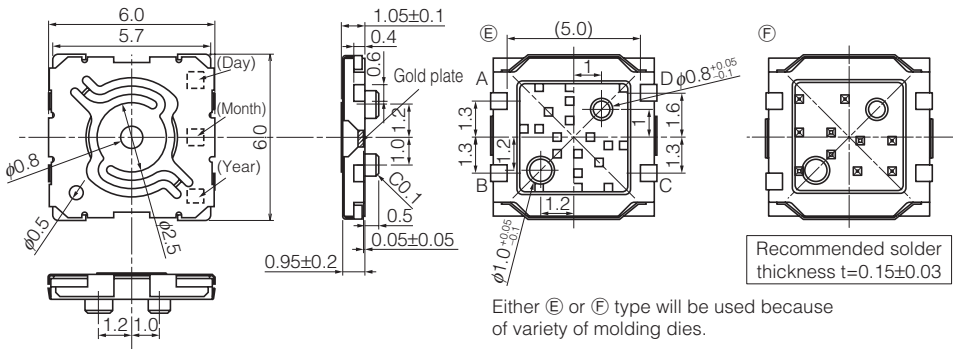
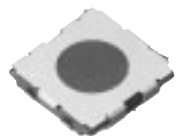
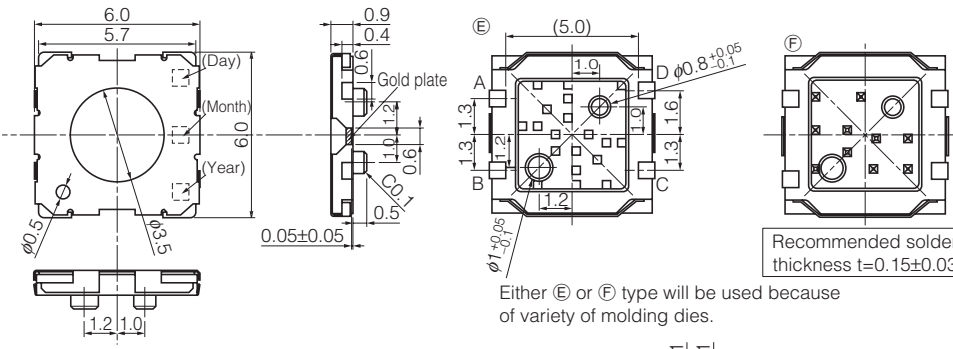


■ **Specifications**

Type		Snap action/Push-on type SPDT	
Push Plate type		With Push Plate	Without Push Plate
Electrical	Rating	10 $\mu$ A 2 Vdc to 20 mA 15 Vdc (Resistive load)	
	Contact Resistance	100 m $\Omega$ max.	
	Insulation Resistance	50 M $\Omega$ min.	
	Dielectric Withstanding Voltage	100 Vac for 1 minute	
	Bouncing	3 ms max. (ON) 20 ms max. (OFF)	
Mechanical	Operating Force	1st : 0.7 N	1st : 1.0 N
		2nd : 2.6 N	2nd : 2.6 N
	Travel	1st: 0.4 mm	2nd: 0.6 mm
Endurance	Operating Life	30000 cycles min.	
Operating Temperature		-20 °C to +70 °C	
Storage Temperature		-40 °C to +85 °C (Bulk) -20 °C to +60 °C (Taping)	
Minimum Quantity/Packing Unit		5000 pcs. Embossed Taping (Reel Pack)	
Quantity/Carton		25000 pcs.	

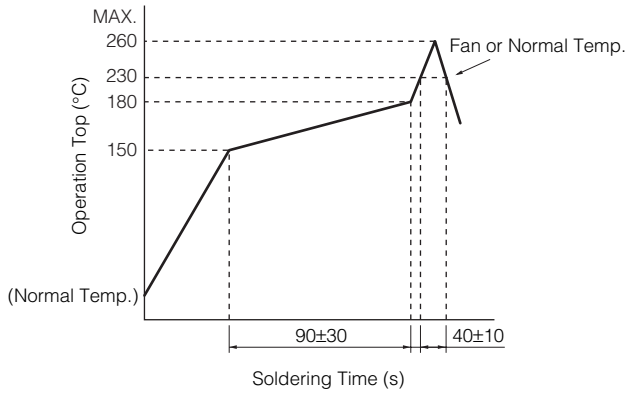
Design and specifications are each subject to change without notice. Ask factory for the current technical specifications before purchase and/or use. Should a safety concern arise regarding this product, please be sure to contact us immediately.

### ■ Dimensions in mm (not to scale)

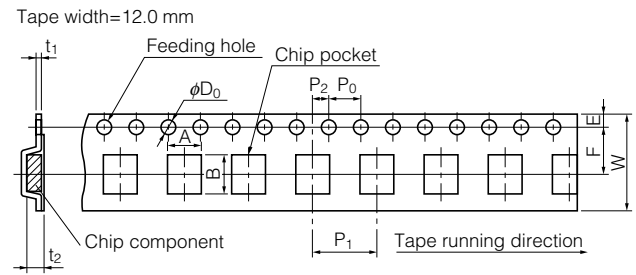
<p>No. 1</p> <p>With Push Plate</p> <p>EVQQ0 EVQPR</p> <p>(Mounting base with Boss) (With ground terminal)</p> 	 <p>Either ⑤ or ⑥ type will be used because of variety of molding dies.</p> <p>Recommended solder thickness <math>t=0.15\pm0.03</math></p> <p>Circuit diagram</p> <p>PWB land pattern for reference (View from mounting side)</p>																																		
<table border="1"> <thead> <tr> <th>Part Numbers</th> <th>Ground Terminal</th> <th>Boss</th> <th>Operating Force</th> <th>Height</th> <th>Operating Life</th> </tr> </thead> <tbody> <tr> <td>EVQQ04A10</td> <td>Without</td> <td>Without</td> <td>1st/0.7 N, 2nd/2.6 N</td> <td>0.95 mm</td> <td>30000 cycles</td> </tr> <tr> <td>EVQPR7A10</td> <td>Without</td> <td>With</td> <td>1st/0.7 N, 2nd/2.6 N</td> <td>0.95 mm</td> <td>30000 cycles</td> </tr> <tr> <td>EVQPR5A10</td> <td>With</td> <td>Without</td> <td>1st/0.7 N, 2nd/2.6 N</td> <td>0.95 mm</td> <td>30000 cycles</td> </tr> <tr> <td>EVQPR9A10</td> <td>With</td> <td>With</td> <td>1st/0.7 N, 2nd/2.6 N</td> <td>0.95 mm</td> <td>30000 cycles</td> </tr> </tbody> </table>	Part Numbers	Ground Terminal	Boss	Operating Force	Height	Operating Life	EVQQ04A10	Without	Without	1st/0.7 N, 2nd/2.6 N	0.95 mm	30000 cycles	EVQPR7A10	Without	With	1st/0.7 N, 2nd/2.6 N	0.95 mm	30000 cycles	EVQPR5A10	With	Without	1st/0.7 N, 2nd/2.6 N	0.95 mm	30000 cycles	EVQPR9A10	With	With	1st/0.7 N, 2nd/2.6 N	0.95 mm	30000 cycles					
Part Numbers	Ground Terminal	Boss	Operating Force	Height	Operating Life																														
EVQQ04A10	Without	Without	1st/0.7 N, 2nd/2.6 N	0.95 mm	30000 cycles																														
EVQPR7A10	Without	With	1st/0.7 N, 2nd/2.6 N	0.95 mm	30000 cycles																														
EVQPR5A10	With	Without	1st/0.7 N, 2nd/2.6 N	0.95 mm	30000 cycles																														
EVQPR9A10	With	With	1st/0.7 N, 2nd/2.6 N	0.95 mm	30000 cycles																														
<p>No. 2</p> <p>Without Push Plate</p> <p>EVQPR EVQ3PR</p> <p>(Mounting base with Boss) (With ground terminal)</p> 	 <p>Either ⑤ or ⑥ type will be used because of variety of molding dies.</p> <p>Recommended solder thickness <math>t=0.15\pm0.03</math></p> <p>Circuit diagram</p> <p>PWB land pattern for reference (View from mounting side)</p>																																		
<table border="1"> <thead> <tr> <th>Part Numbers</th> <th>Ground Terminal</th> <th>Boss</th> <th>Operating Force</th> <th>Height</th> <th>Operating Life</th> </tr> </thead> <tbody> <tr> <td>EVQPRBA09</td> <td>Without</td> <td>Without</td> <td>1st/1.0 N, 2nd/2.6 N</td> <td>0.9 mm</td> <td>30000 cycles</td> </tr> <tr> <td>EVQ3PRA09</td> <td>Without</td> <td>With</td> <td>1st/1.0 N, 2nd/2.6 N</td> <td>0.9 mm</td> <td>30000 cycles</td> </tr> <tr> <td>EVQPRDA09</td> <td>With</td> <td>Without</td> <td>1st/1.0 N, 2nd/2.6 N</td> <td>0.9 mm</td> <td>30000 cycles</td> </tr> <tr> <td>EVQPRHA09</td> <td>With</td> <td>With</td> <td>1st/1.0 N, 2nd/2.6 N</td> <td>0.9 mm</td> <td>30000 cycles</td> </tr> </tbody> </table>	Part Numbers	Ground Terminal	Boss	Operating Force	Height	Operating Life	EVQPRBA09	Without	Without	1st/1.0 N, 2nd/2.6 N	0.9 mm	30000 cycles	EVQ3PRA09	Without	With	1st/1.0 N, 2nd/2.6 N	0.9 mm	30000 cycles	EVQPRDA09	With	Without	1st/1.0 N, 2nd/2.6 N	0.9 mm	30000 cycles	EVQPRHA09	With	With	1st/1.0 N, 2nd/2.6 N	0.9 mm	30000 cycles					
Part Numbers	Ground Terminal	Boss	Operating Force	Height	Operating Life																														
EVQPRBA09	Without	Without	1st/1.0 N, 2nd/2.6 N	0.9 mm	30000 cycles																														
EVQ3PRA09	Without	With	1st/1.0 N, 2nd/2.6 N	0.9 mm	30000 cycles																														
EVQPRDA09	With	Without	1st/1.0 N, 2nd/2.6 N	0.9 mm	30000 cycles																														
EVQPRHA09	With	With	1st/1.0 N, 2nd/2.6 N	0.9 mm	30000 cycles																														

Design and specifications are each subject to change without notice. Ask factory for the current technical specifications before purchase and/or use. Should a safety concern arise regarding this product, please be sure to contact us immediately.

### Recommended Reflow Soldering Conditions



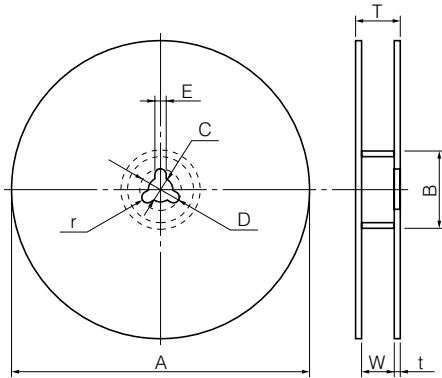
### Embossed Carrier Taping



Unit: mm

Part No.	Height	A	B	W	F	E	P <sub>1</sub>	P <sub>2</sub>	P <sub>0</sub>	D <sub>0</sub> Dia.	t <sub>1</sub>	t <sub>2</sub>
EVQPR/Q0/3PR	0.9, 0.95	6.3±0.3	6.3±0.3	12.0±0.3	5.50±0.15	1.75±0.15	8.00±0.15	2.00±0.15	4.00±0.15	1.5 <sup>+0.1</sup> <sub>-0</sub>	0.30±0.05	1.7 <sup>+0.2</sup> <sub>-0.1</sub>

### Standard Reel Dimensions in mm (not to scale)

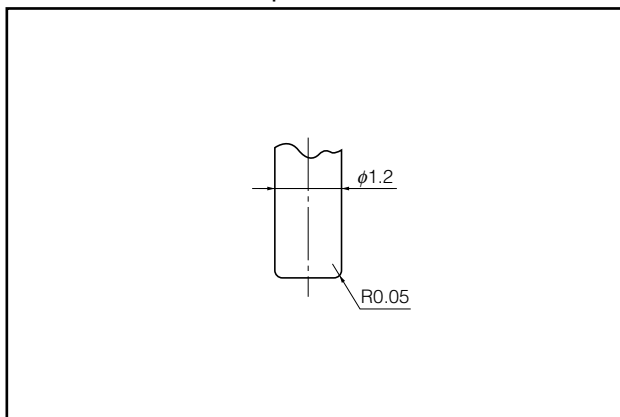


Item	A	B	C	D	E
Rate (mm)	φ380.0±2.0	φ80.0±1.0	φ13.0±0.2	φ21.0±0.8	2.0±0.5

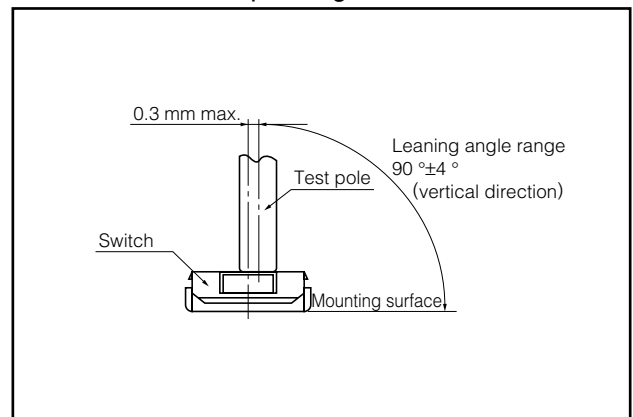
  

Item	W	T	t	r
Rate (mm)	13.5±1.0	17.5±1.0	1.0 to 3.0	1.0±0.5

### Recommended Shape of Test Pole



### Recommended Operating Conditions



Design and specifications are each subject to change without notice. Ask factory for the current technical specifications before purchase and/or use. Should a safety concern arise regarding this product, please be sure to contact us immediately.

## X-ON Electronics

Largest Supplier of Electrical and Electronic Components

*Click to view similar products for [Tactile Switches](#) category:*

*Click to view products by [Panasonic](#) manufacturer:*

Other Similar products are found below :

[KMR633NG](#) [LFG](#) [5GTH9202242](#) [6426-201-11343](#) [MJ1226](#) [MJTP1230BL](#) [MJTPSHW](#) [1-1977223-0](#) [1-1977120-4](#) [ADTSA62NV](#)  
[ADTSA62RV](#) [ADTSA63KV](#) [ADTSA644NV](#) [ADTSM24NVTR](#) [ADTSMW66NV](#) [ADTSMW67RV](#) [ATM533VTR](#) [B3F-3123](#) [B3F-6055A](#)  
[B3F-B32-01-KIT](#) [1977177-8](#) [1977266-1](#) [2-1977223-4](#) [2-1977223-7](#) [ADTS644KV](#) [ADTSA61RV](#) [ADTSA62KV](#) [ADTSA63NV](#)  
[ADTSA63RV](#) [ADTSA65NV](#) [ADTSM21NSVTR](#) [ADTSM25RVTR](#) [ADTSM32NVTR](#) [ADTSM61YVTR](#) [ADTSM63SVTR](#)  
[ADTSM644KVTR](#) [ADTSMW64RV](#) [ADTSMW69NV](#) [FSMRA4JHA04](#) [D38999/20JJ37SA](#) [TL1105B](#) [TL1105J](#) [ATM534VTR](#) [MJ1221](#)  
[MJ1227](#) [506E00201](#) [MJTP1109A](#) [MJTPSHWA](#) [MJTPSJW69N](#) [3FTL600RAS](#) [3FTL640RAS](#)