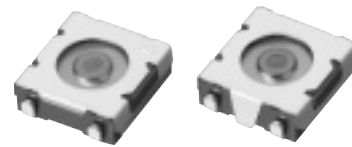


### 2 mm Thick SMD Light Touch Switches for Reflow Soldering (Without Push Plate)

Japan

Type: **EVQQF**



Sealed design and surface-mount type

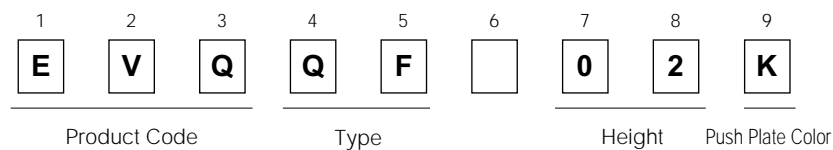
#### ■ Features

- 2.0 mm-high chip Light Touch Switches
- Reflow soldering available
- High reliability due to sealed structure
- Ground terminal option

#### ■ Recommended Applications

- Operating switches for camcorders, headphone stereos
- Operating signal input switches for communication equipments

#### ■ Explanation of Part Numbers



#### ■ Product Chart

Type without Push Plate	Soldering		Reflow soldering	
	Packaging		Taping	
	Ground terminal		Without	With
Profile  H=2.0 mm	Operating Force	1.3 N	EVQQFV	EVQQFY

#### ■ Specifications

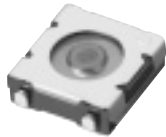
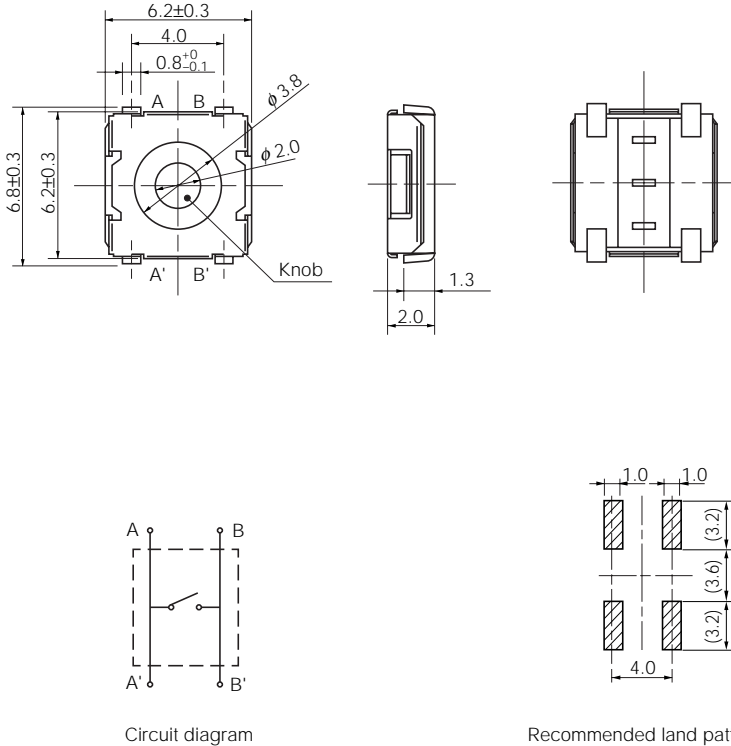
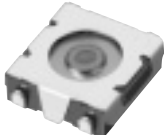
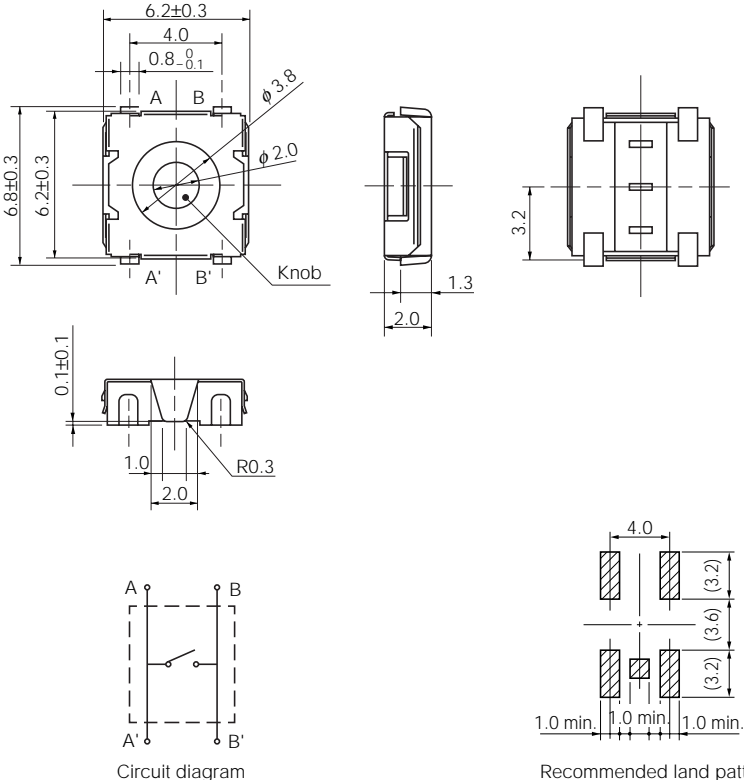
Type		Snap action/Push-on type SPST
Electrical	Rating	20 mA 15 Vdc max. (Resistive load)
	Contact Resistance	50 mΩ max.
	Insulation Resistance	50 MΩ min. (at 100 Vdc)
	Dielectric Withstanding Voltage	250 Vac for 1 minute
	Bouncing	3 ms max. (ON) 8 ms max. (OFF)
Mechanical	Operating Force	1.3 N±0.4 N
	Travel	0.25 mm±0.10 mm
Endurance	Operating Life	100000 cycles min.*
	Operating Temperature	-20 °C to +70 °C (45 % to 85 % RH)
	Storage Temperature	-40 °C to +85 °C (Bulk) -20 °C to +60 °C (Taping)
Minimum Quantity/Packing Unit		4000 pcs. Embossed Taping (Reel Pack)
Quantity/Carton		20000 pcs.

Note: Non washable

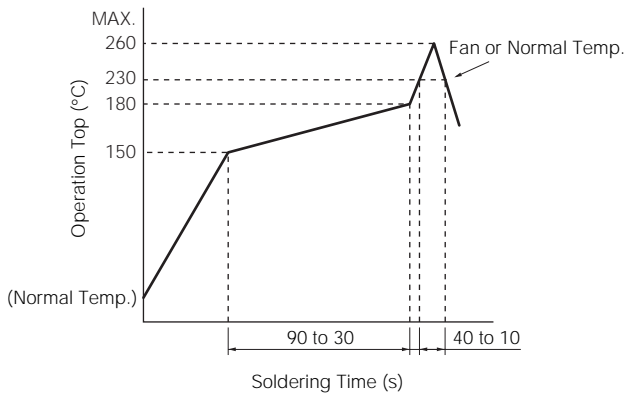
\* 1 million cycles also available, consult our salesmen.

Design and specifications are each subject to change without notice. Ask factory for the current technical specifications before purchase and/or use. Should a safety concern arise regarding this product, please be sure to contact us immediately.

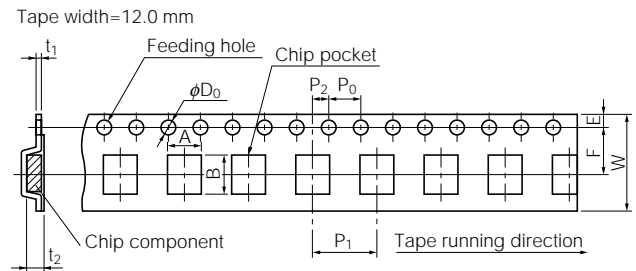
■ Dimensions in mm (not to scale)

<p>No. 1</p> <p><b>EVQQFV</b></p> <p>(Embossed Taping)</p> <p>Surface mount For reflow soldering Without ground terminal</p> 	 <p>Circuit diagram</p> <p>Recommended land pattern</p>		
<p>Part Numbers</p> <p>EVQQFV02K</p>	<p>Operating Force</p> <p>1.3 N</p>	<p>Height</p> <p>2.0 mm</p>	<p>Operating Life</p> <p>100000 cycles</p>
<p>No. 2</p> <p><b>EVQQFY</b></p> <p>(Embossed Taping)</p> <p>Surface mount For reflow soldering With ground terminal</p> 	 <p>Circuit diagram</p> <p>Recommended land pattern</p>		
<p>Part Numbers</p> <p>EVQQFY02K</p>	<p>Operating Force</p> <p>1.3 N</p>	<p>Height</p> <p>2.0 mm</p>	<p>Operating Life</p> <p>100000 cycles</p>

### Recommended Reflow Soldering Conditions



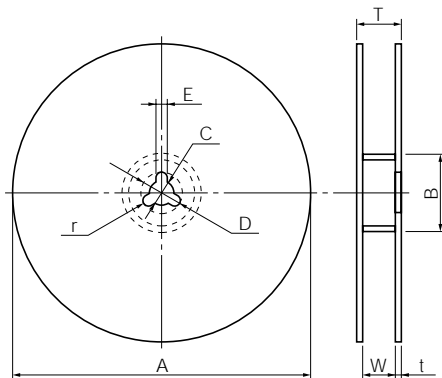
### Embossed Carrier Taping



Unit: mm

Part No.	Height	A	B	W	F	E	$P_1$	$P_2$	$P_0$	$D_0$ Dia.	$t_1$	$t_2$
EVQQF	2.0	$7.0 \pm 0.2$	$7.5 \pm 0.2$	$12.0 \pm 0.3$	$5.5 \pm 0.1$	$1.75 \pm 0.10$	$8.0 \pm 0.1$	$2.0 \pm 0.1$	$4.0 \pm 0.1$	$1.5_{-0}^{+0.1}$	$0.30 \pm 0.05$	$2.2 \pm 0.2$

### Standard Reel Dimensions in mm (not to scale)

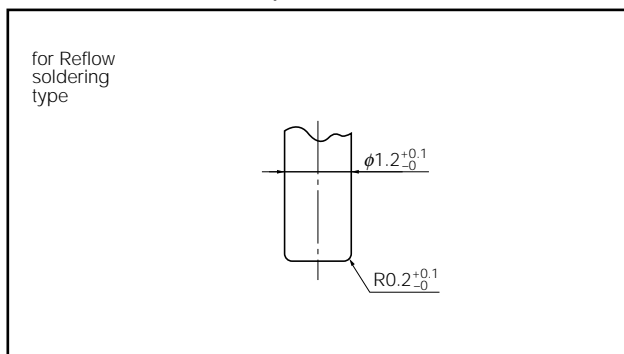


Item	A	B	C	D	E
Rate (mm)	$\phi 370.0 \pm 2.0$	$\phi 50.0$ min.	$\phi 13.0 \pm 0.5$	$\phi 21.0 \pm 1.0$	$2.0 \pm 0.5$

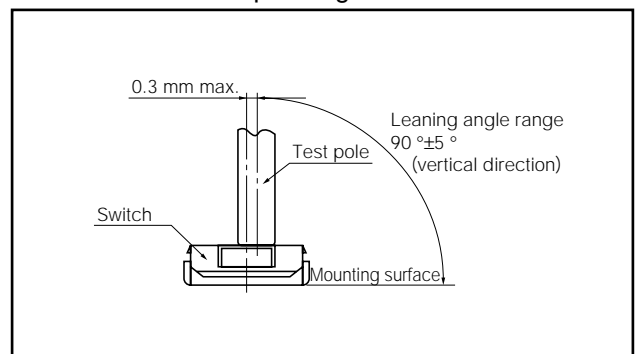
  

Item	W	T	t	r
Rate (mm)	$14.0 \pm 1.5$	—	1.0 to 3.0	$1.0 \pm 0.5$

### Recommended Shape of Test Pole



### Recommended Operating Conditions



## X-ON Electronics

Largest Supplier of Electrical and Electronic Components

*Click to view similar products for [Tactile Switches](#) category:*

*Click to view products by [Panasonic](#) manufacturer:*

Other Similar products are found below :

[5GTH92001](#) [5GTH9202242](#) [1-1977120-4](#) [ADTSA62RV](#) [ADTSA63KV](#) [ADTSA644NV](#) [ADTSMW66NV](#) [ADTSMW67RV](#) [B3F-3123](#) [B3F-6055A](#) [B3F-B32-01-KIT](#) [1977177-8](#) [1977266-1](#) [ADTS644KV](#) [ADTSA61RV](#) [ADTSA62KV](#) [ADTSA63NV](#) [ADTSA63RV](#) [ADTSM21NSVTR](#) [ADTSM32NVTR](#) [ADTSM63SVTR](#) [ADTSM644KVTR](#) [ADTSMW64RV](#) [ADTSMW69NV](#) [FSMRA4JHA04](#) [GS4.70F300QP](#) [3ESH9R](#) [506E00201](#) [MJTP1164TR](#) [3FTL600RAS](#) [3FTL640RAS](#) [Y96K132V0FPLFS](#) [101-TS5022T1601-EV](#) [5GSH92001](#) [KSJ0A231](#) [80SH LFG](#) [EVQ-P1D05K](#) [MJTP1162TR](#) [ADTSM63KV](#) [2-1977120-7](#) [TSJW-5.2-260-TR](#) [KMT011MNGJLHS](#) [B3WN6002S](#) [ADTSA648RV](#) [70-201.0](#) [ADTSM62KSVTR](#) [ATA600VTR](#) [ADTSG66RV](#) [ADTS61NV](#) [ADTSM62KVTR](#) [ADTSM25KSVB](#)