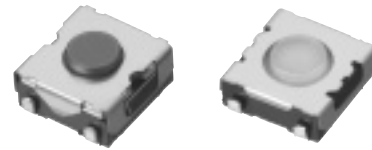


2 mm Thick SMD Light Touch Switches  
for Reflow Soldering (With Push Plate)

Japan

Type: **EVQPH/EVQQX**



Surface-mount type with a push plate

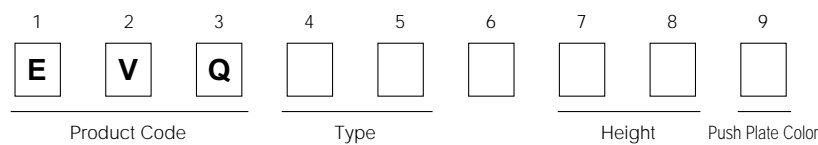
### ■ Features

- Easy operation with push plate
- Reflow soldering
- Wide product variety

### ■ Recommended Applications

- Car electronics equipment

### ■ Explanation of Part Numbers



### ■ Product Chart

Type with Push Plate	Soldering	Reflow soldering				
		Without sealing film		With sealing film		
	Packaging	Taping L=2.0, 2.5, 3.1 mm		Taping L=3.1 mm		
	Ground terminal	Without	With	Without	With	
	Operating Force	1.3 N	EVQQXP	EVQQXM	EVQPHP	EVQPHL
		1.6 N	EVQQXS	EVQQXN	EVQPHV	EVQPHN
		2.6 N	EVQQXT	EVQQXK	EVQPHU	EVQPHK


### ■ Specifications

Type		Snap action / Push-on type SPST	
Electrical	Rating	20 mA 15 Vdc max. (Resistive load)	
	Contact Resistance	50 mΩ max.	
	Insulation Resistance	50 MΩ min. (at 100 Vdc)	
	Dielectric Withstanding Voltage	250 Vac for 1 minute	
	Bouncing	3 ms max. (ON) 8 ms max. (OFF)	
Mechanical	Operating Force	1.3 N±0.4 N 1.6 N±0.5 N	2.6 N± 0.6 N
	Travel	0.25 mm±0.10 mm	
Endurance	Operating Life	EVQPH	100000 cycles min. / 50000 cycles min.
		EVQQX	1000000 cycles min. / 100000 cycles min.
	Operating Temperature	-20 °C to +70 °C (45 % to 85 % RH)	
Storage Temperature	-40 °C to +85 °C (Bulk) -20 °C to +60 °C (Taping)		
Minimum Quantity/Packing Unit		H=2.0 mm	4000 pcs. Embossed Taping (Reel Pack)
		H=2.5 mm, 3.1 mm	2000 pcs. Embossed Taping (Reel Pack)
Quantity/Carton		H=2.0 mm	20000 pcs.
		H=2.5 mm, 3.1 mm	10000 pcs.

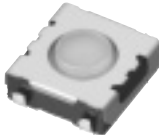
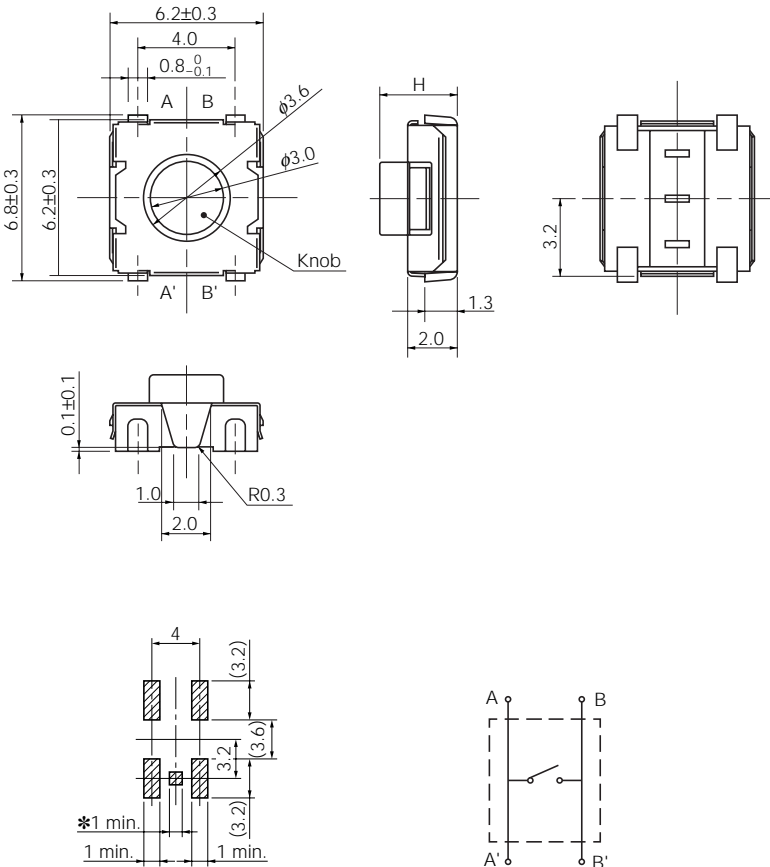
Note: Non washable

Design and specifications are each subject to change without notice. Ask factory for the current technical specifications before purchase and/or use. Should a safety concern arise regarding this product, please be sure to contact us immediately.

### ■ Dimensions in mm (not to scale)

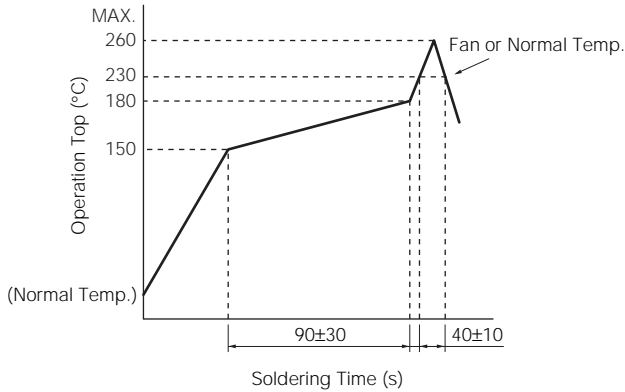
<p>No. 1</p> <p><b>EVQPH</b></p> <p>(Embossed Taping)</p> <p>With push plate Surface mount For reflow soldering With ground terminal Without ground terminal</p> <p>Notes: 1. Non-washable in solvents 2. Types with ground terminal available</p> 	<p style="text-align: center;">Circuit diagram</p> <p style="text-align: center;">Reference of PWB pattern</p> <p style="text-align: right;">* This land not necessary when a ground terminal is not used.</p>				
Part Numbers	Operating Force	Height	Push Plate Color	Ground Terminal	Operating Life
EVQPHP03T	1.3 N	3.1 mm	Brown	Without	100000 cycles
EVQPHV03T	1.6 N	3.1 mm	Brown	Without	100000 cycles
EVQPHU03T	2.6 N	3.1 mm	Brown	Without	50000 cycles
EVQPHL03T	1.3 N	3.1 mm	Brown	With	100000 cycles
EVQPHN03T	1.6 N	3.1 mm	Brown	With	100000 cycles
EVQPHK03T	2.6 N	3.1 mm	Brown	With	50000 cycles

■ Dimensions in mm (not to scale)

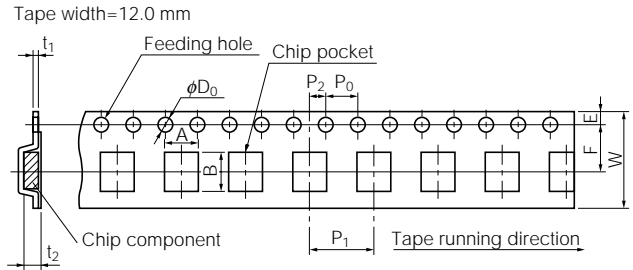
No. 2											
<p><b>EVQQX</b> (Embossed Taping) With push plate Surface mount For reflow soldering With ground terminal Without ground terminal</p> <p><b>Notes:</b> 1. Non-washable in solvents 2. Types with ground terminal available</p> 		 <p>Reference of PWB pattern</p> <p>Circuit Diagram</p> <table border="1" style="margin-left: auto; margin-right: 0;"> <thead> <tr> <th>Height</th> </tr> </thead> <tbody> <tr> <td>H</td> </tr> <tr> <td>2.0±0.2</td> </tr> <tr> <td>2.5±0.2</td> </tr> <tr> <td>3.1<sup>+0.3</sup><sub>-0.1</sub></td> </tr> </tbody> </table> <p>* This land not necessary when a ground terminal is not used.</p>					Height	H	2.0±0.2	2.5±0.2	3.1 <sup>+0.3</sup> <sub>-0.1</sub>
Height											
H											
2.0±0.2											
2.5±0.2											
3.1 <sup>+0.3</sup> <sub>-0.1</sub>											
Part Numbers	Operating Force	H=Height	Push Plate Color	Ground Terminal	Operating Life						
EVQQXP01W	1.3 N	2.0 mm	White	Without	1000000 cycles						
EVQQXP02W	1.3 N	2.5 mm	White	Without	1000000 cycles						
EVQQXP03W	1.3 N	3.1 mm	White	Without	1000000 cycles						
EVQQXS01W	1.6 N	2.0 mm	White	Without	1000000 cycles						
EVQQXS02W	1.6 N	2.5 mm	White	Without	1000000 cycles						
EVQQXS03W	1.6 N	3.1 mm	White	Without	1000000 cycles						
EVQQXT01W	2.6 N	2.0 mm	White	Without	100000 cycles						
EVQQXT02W	2.6 N	2.5 mm	White	Without	100000 cycles						
EVQQXT03W	2.6 N	3.1 mm	White	Without	100000 cycles						
EVQQXM01W	1.3 N	2.0 mm	White	With	1000000 cycles						
EVQQXM02W	1.3 N	2.5 mm	White	With	1000000 cycles						
EVQQXM03W	1.3 N	3.1 mm	White	With	1000000 cycles						
EVQQXN01W	1.6 N	2.0 mm	White	With	1000000 cycles						
EVQQXN02W	1.6 N	2.5 mm	White	With	1000000 cycles						
EVQQXN03W	1.6 N	3.1 mm	White	With	1000000 cycles						
EVQQXK01W	2.6 N	2.0 mm	White	With	100000 cycles						
EVQQXK02W	2.6 N	2.5 mm	White	With	100000 cycles						
EVQQXK03W	2.6 N	3.1 mm	White	With	100000 cycles						

### Recommended Reflow Soldering Conditions

- Type EVQPH
- Type EVQQX



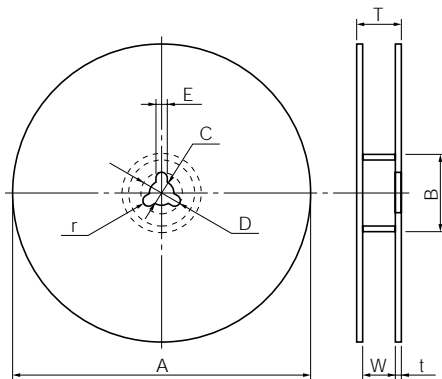
### Embossed Carrier Taping



Unit: mm

Part No.	Height	A	B	W	F	E	P <sub>1</sub>	P <sub>2</sub>	P <sub>0</sub>	D <sub>0</sub> Dia.	t <sub>1</sub>	t <sub>2</sub>
EVQPH	3.1	7.0±0.2	7.5±0.2	12.0±0.3	5.5±0.1	1.75±0.10	8.0±0.1	2.0±0.1	4.0±0.1	1.5 <sup>+0.1</sup> <sub>-0</sub>	0.30±0.05	3.2±0.2
EVQQX	2.0											2.2±0.2
		2.5/3.1										3.2±0.2

### Standard Reel Dimensions in mm (not to scale)

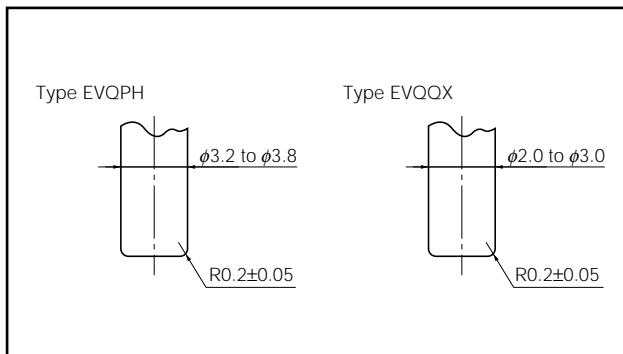


Item	A	B	C	D	E
Rate (mm)	φ370.0±2.0	φ50.0 min.	φ13.0±0.5	φ21.0±1.0	2.0±0.5

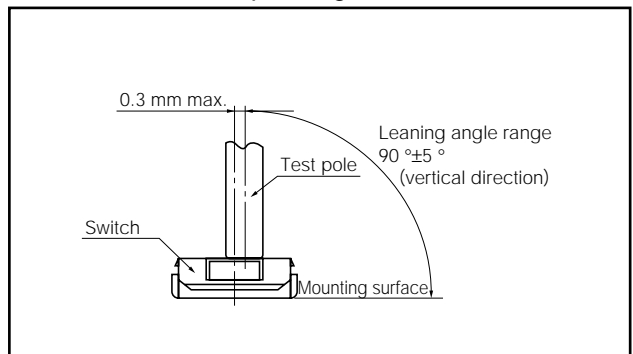
  

Item	W	T	t	r
Rate (mm)	14.0±1.5	—	1.0 to 3.0	1.0±0.5

### Recommended Shape of Test Pole



### Recommended Operating Conditions



## X-ON Electronics

Largest Supplier of Electrical and Electronic Components

*Click to view similar products for [Tactile Switches](#) category:*

*Click to view products by [Panasonic](#) manufacturer:*

Other Similar products are found below :

[KMR633NG LFG](#) [5GTH92001](#) [5GTH9202242](#) [6426-201-11343](#) [MJ1226](#) [MJTP1109B](#) [MJTP1138EAUTR](#) [MJTP1230BL](#) [MJTPSHW](#)  
[GS6.90F300QP](#) [1-1977223-0](#) [1-1977120-4](#) [ADTSA62NV](#) [ADTSA62RV](#) [ADTSA63KV](#) [ADTSA644NV](#) [ADTSM24NVTR](#) [ADTSMW66NV](#)  
[ADTSMW67RV](#) [ATM533VTR](#) [1571300-3](#) [B3F-3123](#) [B3F-6055A](#) [B3F-B32-01-KIT](#) [1977177-8](#) [1977266-1](#) [2-1977223-4](#) [2-1977223-7](#)  
[ADTS644KV](#) [ADTSA61RV](#) [ADTSA62KV](#) [ADTSA63NV](#) [ADTSA63RV](#) [ADTSA65NV](#) [ADTSM21NSVTR](#) [ADTSM25RVTR](#)  
[ADTSM31RVTR](#) [ADTSM32NVTR](#) [ADTSM61YVTR](#) [ADTSM63SVTR](#) [ADTSM644KVTR](#) [ADTSMW64RV](#) [ADTSMW69NV](#)  
[FSMRA4JHA04](#) [GS4.70F300QP](#) [D38999/20JJ37SA](#) [TL1105B](#) [TL1105J](#) [ATH447K2Q](#) [ATM534VTR](#)