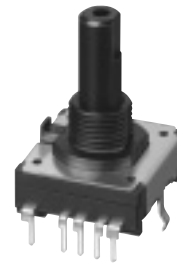


## 18 mm Square Encoders (Water proof Type)

Japan

Type: **EVQV9**



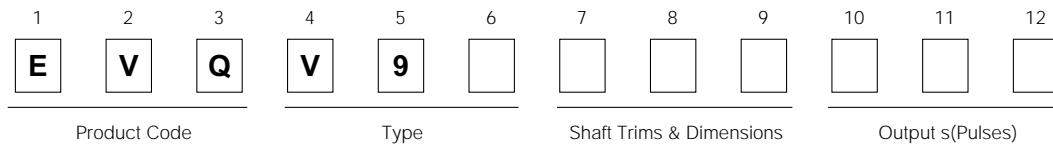
### ■ Features

- Water resistant
- Highly responsive clicking
- High precision and reliability  
(uses the insertion contact method)

### ■ Recommended Applications

- Car electronics equipments  
(for signal input)

### ■ Explanation of Part Numbers



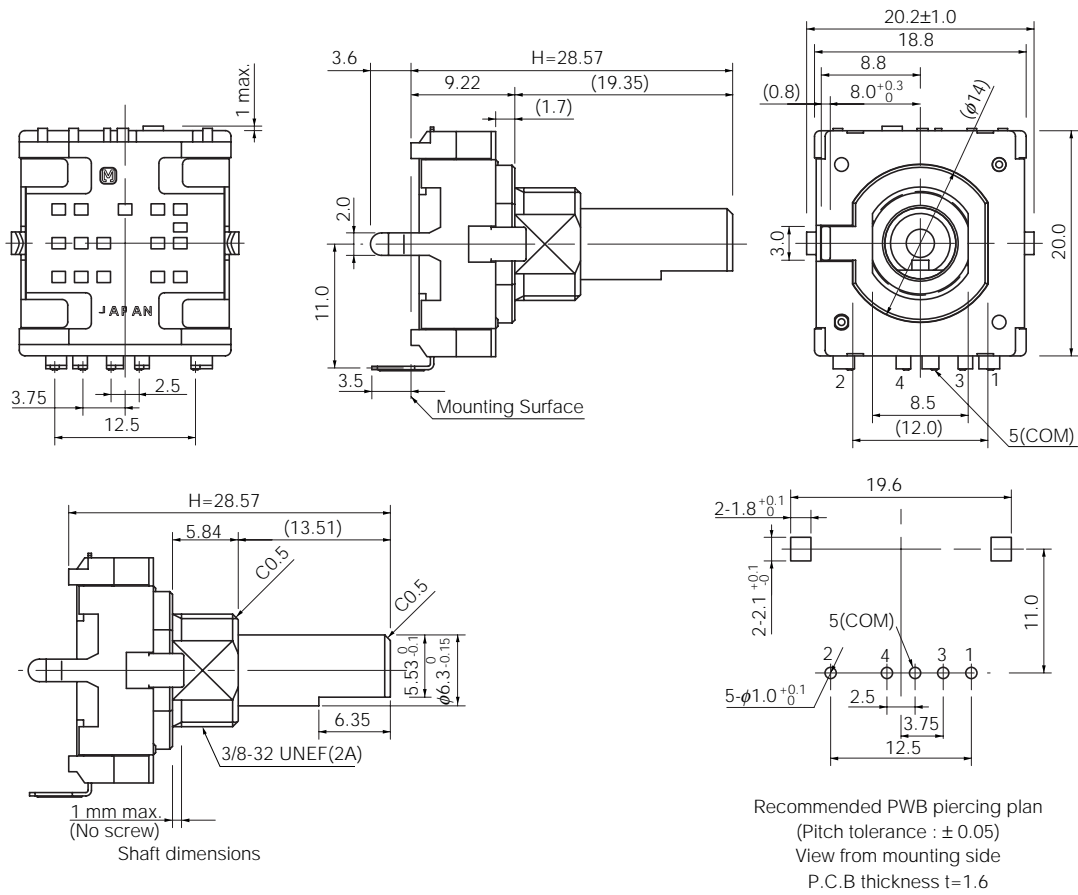
### ■ Specifications

|                                 |                                 |   |                   |
|---------------------------------|---------------------------------|---|-------------------|
| Mechanical                      | Rotation Angle                  | 360 ° (Endless)   |                   |
|                                 | Shaft Pull/Push Strength        | 100 N min.  |                   |
|                                 | Shaft Wobble                    | ( Each side: 0.5 × L/30(mm)max. )<br>Applied 50 mN·m moment<br>L=Length from mounting surface |                   |
|                                 | Rotation Torque                 | 50±20 mN·m  | 2 mN·m to 20 mN·m |
|                                 | Detents                         | 16 points   | without detents   |
| Electrical                      | Output Signal                   | 16 positions  | 12 positions      |
|                                 | Resolution                      | Absolute 4-bit , Gray cord absolute   |                   |
|                                 | Rating                          | 1 mA 10 Vdc   |                   |
|                                 | Contact Resistance              | 10 Ω max.   |                   |
|                                 | Insulation Resistance           | 50 MΩ min. (at 250 Vdc)   |                   |
|                                 | Dielectric Withstanding Voltage | 50 Vac for 1 minute   |                   |
|                                 | Bouncing                        | 5 ms max.   |                   |
| Endurance                       | Rotation Life                   | 30000 cycles min.   |                   |
| Minimum Quantity / Packing Unit |                                 | 120 pcs. (Tray Pack)  |                   |
| Quantity / Carton               |                                 | 1200 pcs.   |                   |

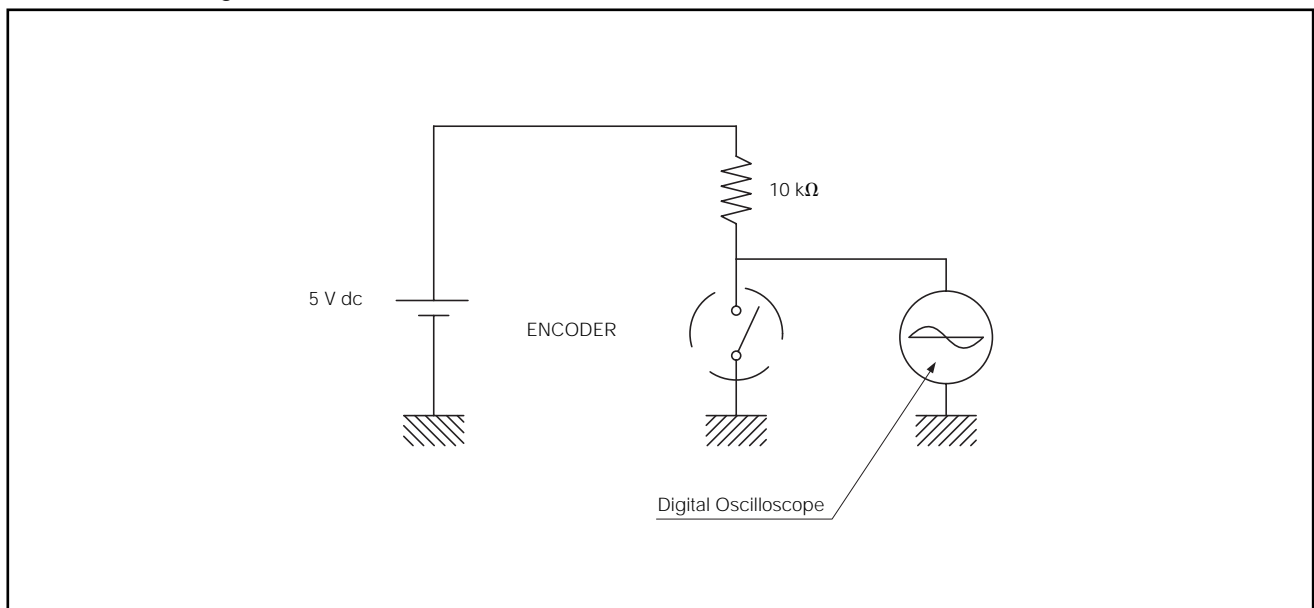
Design and specifications are each subject to change without notice. Ask factory for the current technical specifications before purchase and/or use. Should a safety concern arise regarding this product, please be sure to contact us immediately.

Dimensions in mm (not to scale)

EVQV9



Test Circuit Diagram



## X-ON Electronics

Largest Supplier of Electrical and Electronic Components

*Click to view similar products for [Encoders](#) category:*

*Click to view products by [Panasonic](#) manufacturer:*

Other Similar products are found below :

[6-1393048-0](#) [6-1393048-5](#) [62AG22-H5-P](#) [62B22-LP-030C](#) [63K25](#) [63K32](#) [63KS100](#) [63KS64](#) [63R100](#) [63R50-020](#) [63RS256-060](#) [700-09-36](#)  
[RE12D300-201-1](#) [1393047-3](#) [2-1393047-2](#) [T101-5C2-111-M1](#) [T101-5C3-111-M1](#) [T101-5C4-111-M1](#) [385001M0439](#) [385001M0216](#)  
[V23401H1409B101](#) [V23401T8002B802](#) [V23401U6019B609](#) [E69-1](#) [E69DF10](#) [E69-FCA](#) [62B11-LP-100S](#) [62B11-LPP-040C](#) [62N11-P](#)  
[62S22-H9-120S](#) [62S30-L0-200C](#) [62V15-02-080S](#) [63K64](#) [63KS100-040](#) [63R64-050](#) [63RS64](#) [700-16-16](#) [V23401D3002B301](#) [3-1393048-1](#)  
[63KS128](#) [63KS256](#) [1-1879391-5](#) [GH65C11-N-SO](#) [62S15-M0-P](#) [63R64](#) [1393047-1](#) [E69-FCA02](#) [E69-FCA04](#) [E69-DF20](#) [E69-DF2](#)