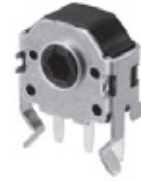


## 7mm Square Encoders

Type: **EVQVU**



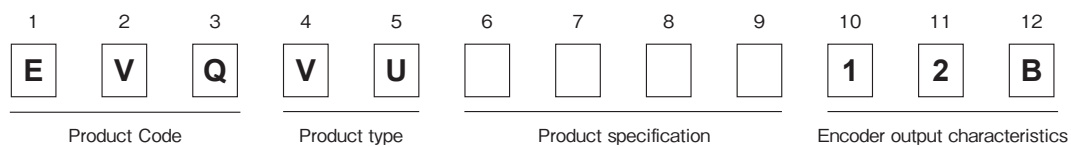
### ■ Features

- Smaller and lower product height type (Product height H=7mm)
- Good rotation feel
- Supports vertical self-standing mounting onto printed circuit boards

### ■ Recommended Applications

- Information & communications equipment
- For input devices of measuring instruments and various electronic equipment
- Portable electronic equipment

### ■ Explanation of Part Numbers

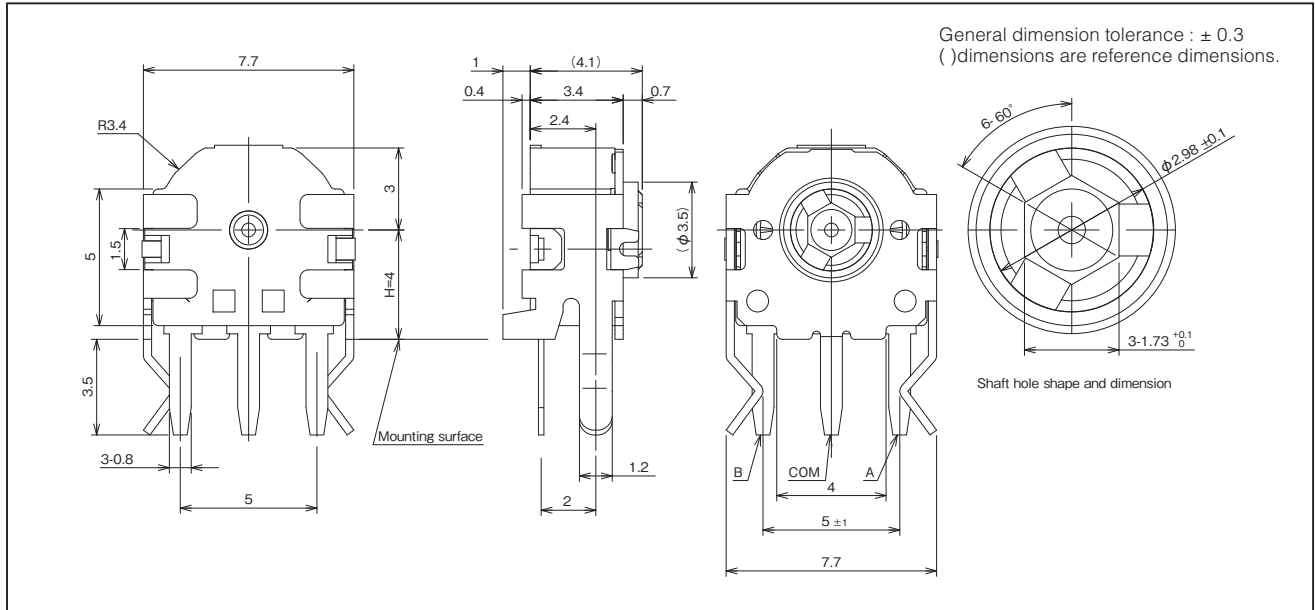


### ■ Specifications

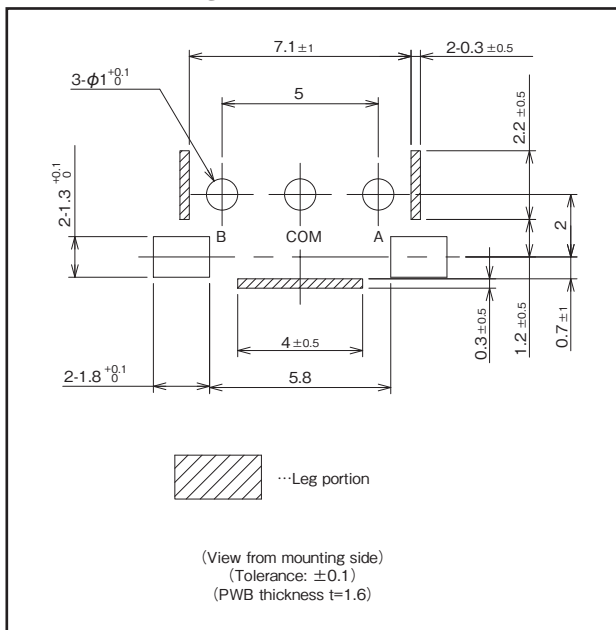
Mechanical	Rotation angle	360° (Endless)
	Rotation Torque	5mN·m
	Detents	24 points
Electrical	Output signals	Phase A and B
	Resolution	12 pulses/360°
	Rating	1mA 10V DC (at each bit)
	Contact resistance	10Ω max.
	Insulation resistance	50MΩ min. (at 50V DC)
	Dielectric Withstanding Voltage	50V AC for 1 minute
	Bouncing	15ms max. (at rotational speed 30 r/min.)
Endurance	Rotation life	100,000 cycles min.
Minimum Quantity/Packing Unit		500 pcs. (Tray Pack)
Quantity/Carton		5,000 pcs.

Design and specifications are each subject to change without notice. Ask factory for the current technical specifications before purchase and/or use.  
Should a safety concern arise regarding this product, please be sure to contact us immediately.

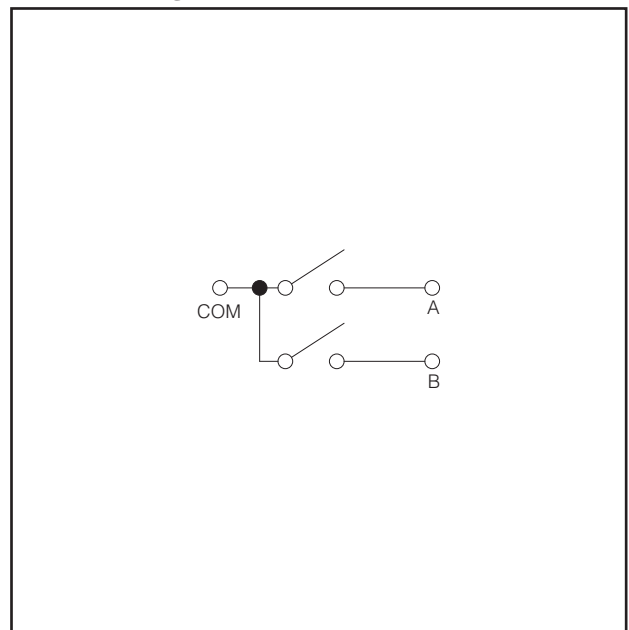
### ■ Dimensions in mm (not to scale)



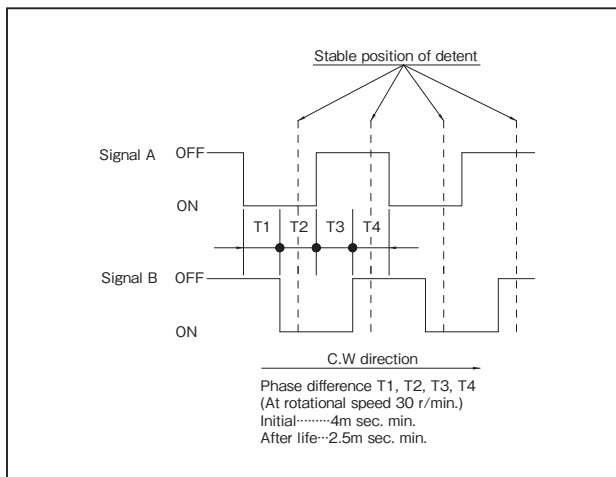
### ■ PWB mounting hole for reference



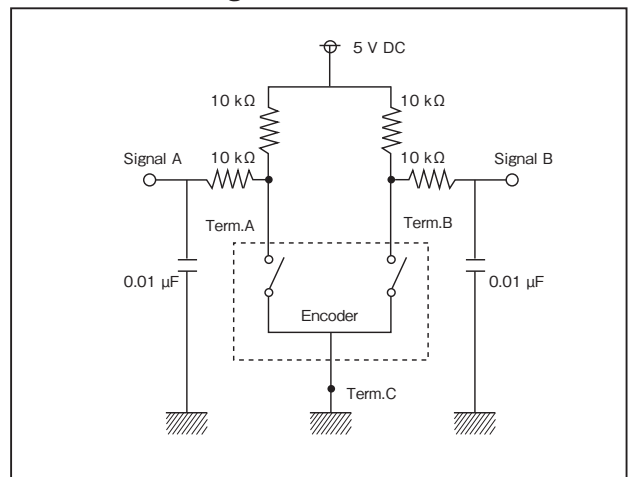
### ■ Circuit Diagram



### ■ Phase Difference



### ■ Test Circuit Diagram



Design and specifications are each subject to change without notice. Ask factory for the current technical specifications before purchase and/or use.  
 Should a safety concern arise regarding this product, please be sure to contact us immediately.

## X-ON Electronics

Largest Supplier of Electrical and Electronic Components

*Click to view similar products for [Encoders](#) category:*

*Click to view products by [Panasonic](#) manufacturer:*

Other Similar products are found below :

[6-1393048-0](#) [6-1393048-5](#) [62AG22-H5-P](#) [62B22-LP-030C](#) [63K25](#) [63K32](#) [63KS100](#) [63KS64](#) [63R100](#) [63R50-020](#) [63RS256-060](#) [700-09-36](#)  
[RE12D300-201-1](#) [1393047-3](#) [2-1393047-2](#) [T101-5C2-111-M1](#) [T101-5C3-111-M1](#) [T101-5C4-111-M1](#) [385001M0439](#) [385001M0216](#)  
[V23401H1409B101](#) [V23401T8002B802](#) [V23401U6019B609](#) [E69-1](#) [E69DF10](#) [E69-FCA](#) [62B11-LP-100S](#) [62B11-LPP-040C](#) [62N11-P](#)  
[62S22-H9-120S](#) [62S30-L0-200C](#) [62V15-02-080S](#) [63K64](#) [63KS100-040](#) [63R64-050](#) [63RS64](#) [700-16-16](#) [V23401D3002B301](#) [3-1393048-1](#)  
[63KS128](#) [63KS256](#) [1-1879391-5](#) [GH65C11-N-SO](#) [62S15-M0-P](#) [63R64](#) [1393047-1](#) [E69-FCA02](#) [E69-FCA04](#) [E69-DF20](#) [E69-DF2](#)