

## 10 mm Square SMD Encoders

Type: **EVQVV**



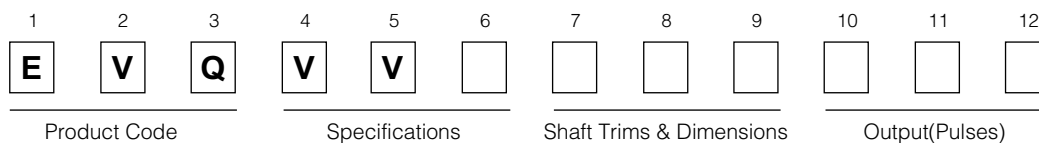
### ■ Features

- Low profile(H=2.2 mm),  
Shaft hole diameters of up to 4 mm.
- Light operation with a rotation torque of 2 mN·m
- Automatic mounting and SMDs.

### ■ Recommended Applications

- Air conditioning temperature controls
- Input of operation units
- Computer peripherals

### ■ Explanation of Part Numbers



### ■ Specifications

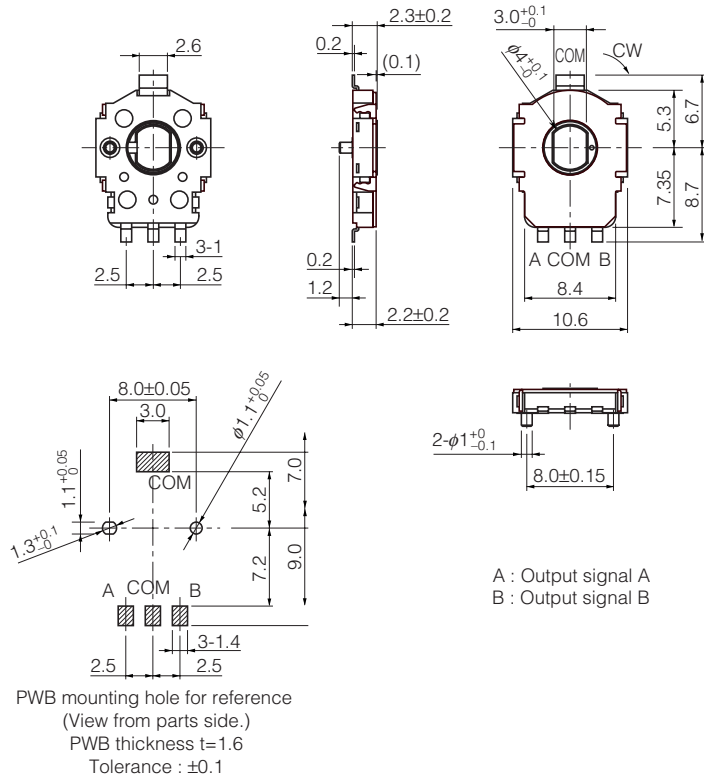
Mechanical	Rotation Angle	360 ° (Endless)
	Rotation Torque	2 mN·m max.
Electrical	Output Signals	Phase A and B
	Resolution	3 pulses/360 °
	Rating	1 mA 10 Vdc (at each bit)
	Contact Resistance	10 Ω max.
	Insulation Resistance	50 MΩ min. (at 50 Vdc)
	Dielectric Withstanding Voltage	50 Vac for 1 minute
	Bouncing	5 ms max.
Endurance	Rotation Life	70000 cycles min.
Minimum Quantity/Packing Unit		1500 pcs. Embossed Taping (Reel Pack)
Quantity/Carton		6000 pcs.

Design and specifications are each subject to change without notice. Ask factory for the current technical specifications before purchase and/or use.  
Should a safety concern arise regarding this product, please be sure to contact us immediately.

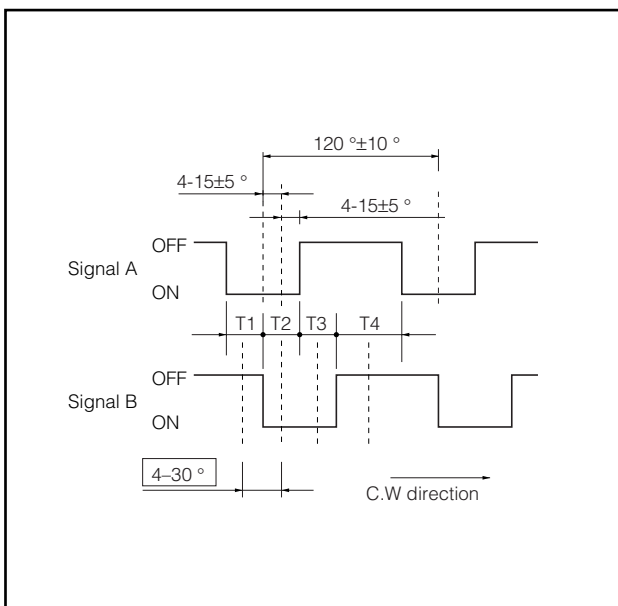
00 Oct. 2012

■ Dimensions in mm (not to scale)

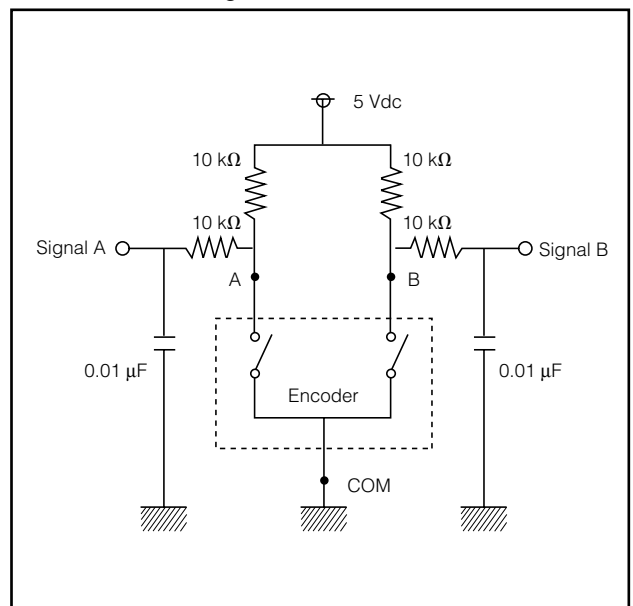
EVQVV



■ Phase Difference



■ Test Circuit Diagram



Design and specifications are each subject to change without notice. Ask factory for the current technical specifications before purchase and/or use. Should a safety concern arise regarding this product, please be sure to contact us immediately.

## X-ON Electronics

Largest Supplier of Electrical and Electronic Components

*Click to view similar products for [Encoders](#) category:*

*Click to view products by [Panasonic](#) manufacturer:*

Other Similar products are found below :

[6-1393048-0](#) [6-1393048-5](#) [62AG22-H5-P](#) [62B22-LP-030C](#) [63K25](#) [63K32](#) [63KS100](#) [63KS64](#) [63R100](#) [63R50-020](#) [63RS256-060](#) [700-09-36](#)  
[RE12D300-201-1](#) [1393047-3](#) [2-1393047-2](#) [T101-5C2-111-M1](#) [T101-5C3-111-M1](#) [T101-5C4-111-M1](#) [385001M0439](#) [385001M0216](#)  
[V23401H1409B101](#) [V23401T8002B802](#) [V23401U6019B609](#) [E69-1](#) [E69DF10](#) [E69-FCA](#) [62B11-LP-100S](#) [62N11-P](#) [62S22-H9-120S](#) [62S30-](#)  
[L0-200C](#) [62V15-02-080S](#) [63K64](#) [63KS100-040](#) [63R64-050](#) [63RS64](#) [700-16-16](#) [V23401D3002B301](#) [3-1393048-1](#) [63KS128](#) [63KS256](#) [1-](#)  
[1879391-5](#) [GH65C11-N-SO](#) [62S15-M0-P](#) [63R64](#) [1393047-1](#) [E69-FCA02](#) [E69-FCA04](#) [E69-DF20](#) [E69-DF2](#) [63R50](#)