

10 mm GS Sensors

Type: **EVWAE/EVWAD**

Low profile, long life sensor, which is suitable for detecting the angles of rotating axes.



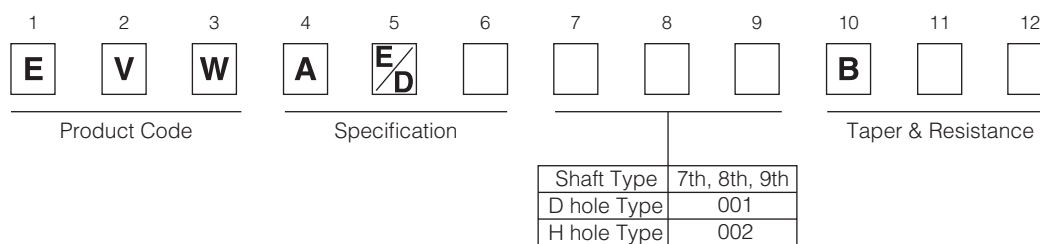
■ Features

- Low profile (H=2.2 mm),
Shaft hole diameters of up to 4 mm are available.
- Long operation life: 1 million operation cycles.
- A wide electrical output angle of a maximum 343 °,
ready for SMDs

■ Recommended Applications

- Detection of robot joint angles
- Detection of air conditioner damper angles
- Detection of various control unit angles

■ Explanation of Part Numbers

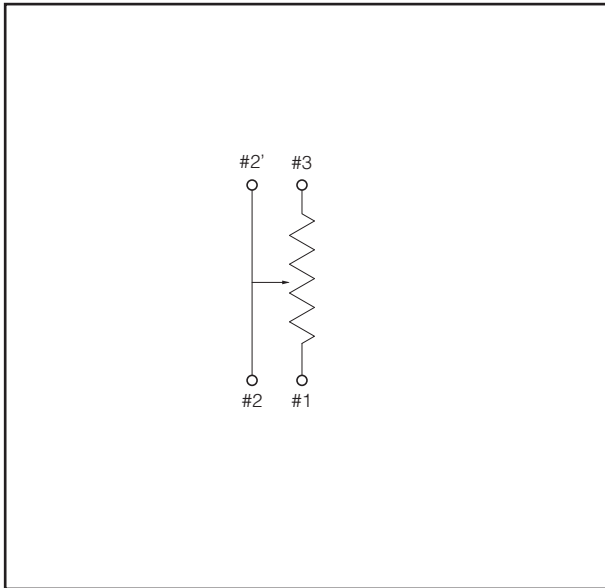


■ Specifications

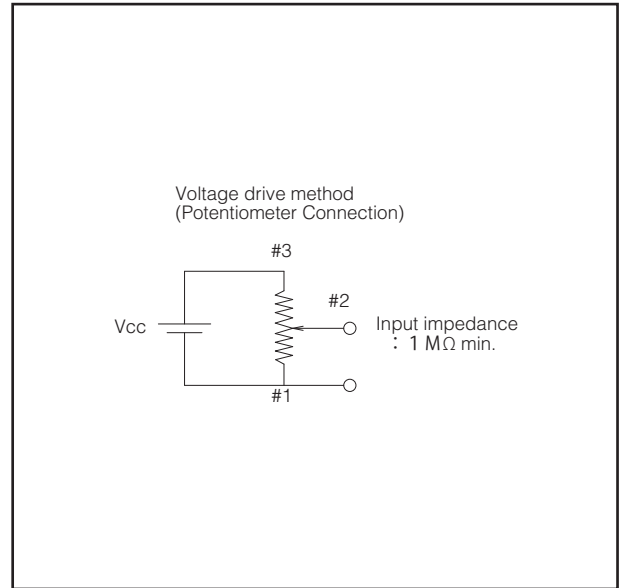
Mechanical	Rating	0.05 W, 5V
	Operating Force	3 mN·m max.
Electrical	Total Resistance	5 kΩ±30 %, 10 kΩ±30 %
	Linearity	±2 % max.
Endurance	Operating Life	1,000,000 cycles min. (operation Angle ±30°)
Minimum Quantity/Packing Unit		1,500 pcs. Embossed Taping (Reel Pack)
Quantity/Carton		6,000 pcs.

Design and specifications are each subject to change without notice. Ask factory for the current technical specifications before purchase and/or use.
Should a safety concern arise regarding this product, please be sure to contact us immediately.

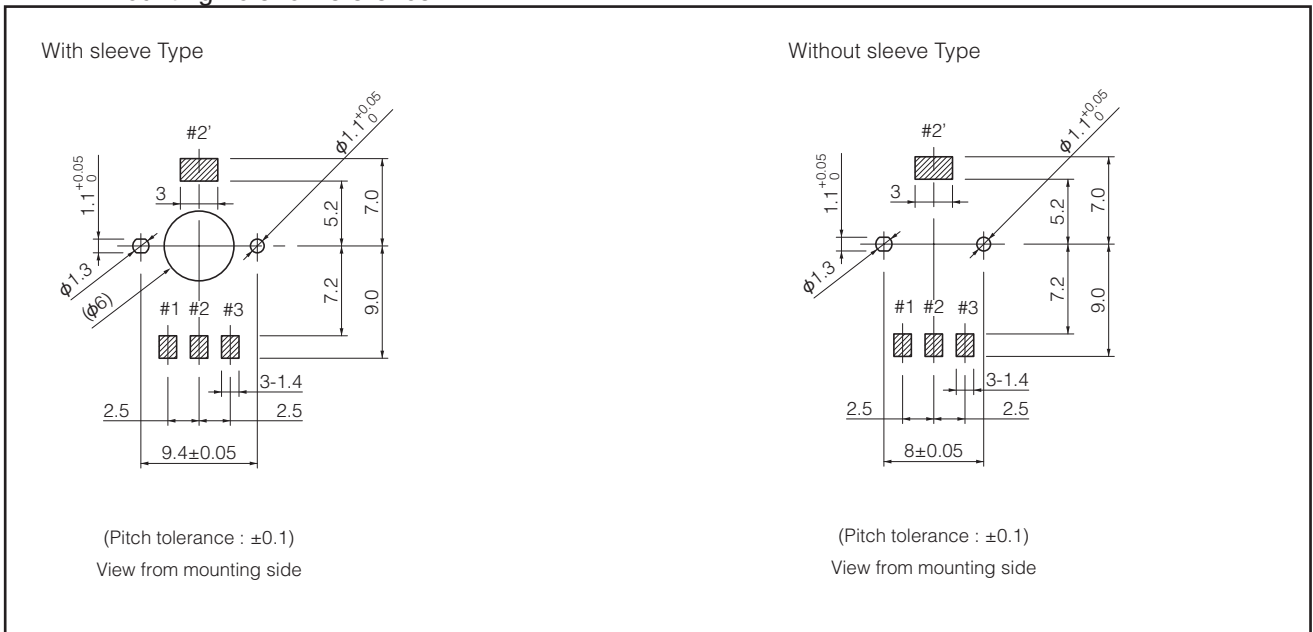
■ Circuit diagram



■ Test circuit diagram



■ PWB mounting hole for reference



Design and specifications are each subject to change without notice. Ask factory for the current technical specifications before purchase and/or use. Should a safety concern arise regarding this product, please be sure to contact us immediately.

X-ON Electronics

Largest Supplier of Electrical and Electronic Components

Click to view similar products for [Board Mount Motion & Position Sensors](#) category:

Click to view products by [Panasonic](#) manufacturer:

Other Similar products are found below :

[6SS4](#) [XL-10043](#) [F02008062](#) [9970-090-9J-SA](#) [MT9105ET](#) [AS5270B-HMFM](#) [IPS2200BI1W](#) [EKMC7610111K](#) [EKMC7610112K](#)
[EKMC7610113K](#) [EKMB4310112K](#) [EKMC4610111K](#) [EKMC1610112](#) [EKMB1210112](#) [EKMB1210111](#) [EKMB1310113K](#) [EKMB4310113K](#)
[EKMB1310112K](#) [EKMB1110113](#) [EKMB1210113](#) [EKMC1610113](#) [EKMC2610113K](#) [EKMC4610113K](#) [EKMC2610111K](#) [EKMB1110112](#)
[EKMB1110111](#) [EKMB4310111K](#) [EKMC1610111](#) [EKMC4610112K](#) [EKMB1310111K](#) [EKMC2610112K](#) [AS5116-HSOM](#) [EKMB1100100](#)
[EKMB4307112K](#) [EKMB4306113K](#) [EKMB4391113K](#) [EKMB4391112K](#) [EKMB4303112K](#) [EKMB4303113K](#) [EKMB4307111K](#)
[EKMB4391111K](#) [EKMB4304111K](#) [EKMB4307113K](#) [EKMB4393113K](#) [EKMB4304112K](#) [EKMB4304113K](#) [EKMB4305113K](#)
[EKMB4393112K](#) [EKMB4305112K](#) [EKMB4306112K](#)