

44/25 mm Center Space  
Rotary Potentiometers

Type: **EWVYG/YH/YJ/YL**



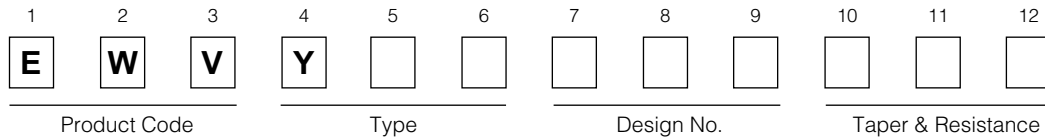
### ■ Features

- Outer diameter: 44 mm, Center space diameter: 25 mm
- Can have a built-in LED
- Smooth operation feel

### ■ Recommended Applications

- Temperature/blower control or mode switching for car air conditioners
- Volume control for car audio equipment

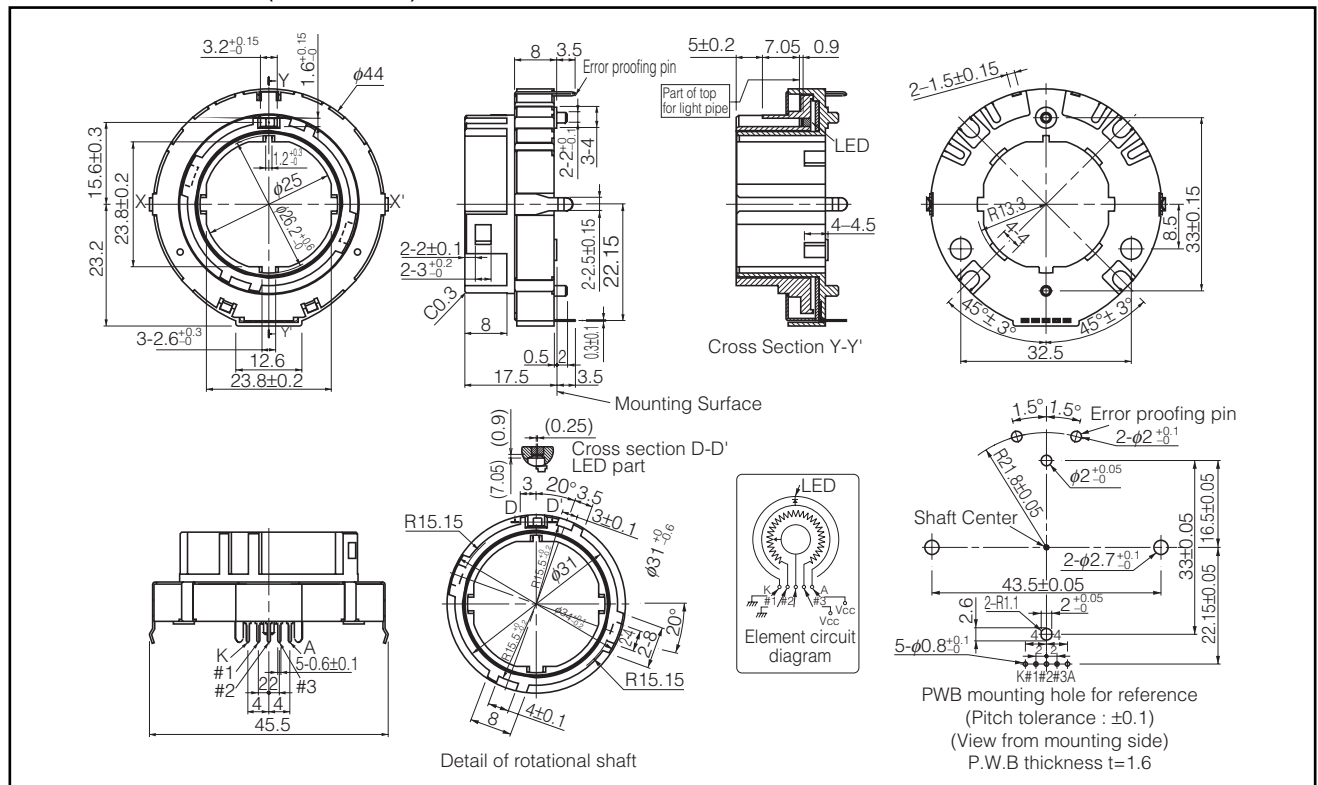
### ■ Explanation of Part Numbers



### ■ Specifications

Mechanical	Rotation Angle	300 °
	Rotation Torque (Detents Torque)	15 mN·m to 60 mN·m
Electrical	Nominal Total Resistance	10 kΩ (Tolerance ±20 %)
	Taper	B
	Power Rating	0.1 W
	Residual Resistance	100 Ω max.
	Insulation Resistance	50 MΩ min. (250 Vdc)
	Linearity	±3 % max.
	Dielectric Withstand Voltage	250 Vac for 1 minute
Endurance	Noise Level	47 mV max.
	Operating Life	30000 cycles min.
Minimum Quantity/Packing Unit		50 pcs. (Tray Pack)
Quantity/Cartron		250 pcs.

### ■ Dimensions in mm (not to scale)



Design and specifications are each subject to change without notice. Ask factory for the current technical specifications before purchase and/or use. Should a safety concern arise regarding this product, please be sure to contact us immediately.

## X-ON Electronics

Largest Supplier of Electrical and Electronic Components

*Click to view similar products for [Potentiometers](#) category:*

*Click to view products by [Panasonic](#) manufacturer:*

Other Similar products are found below :

[58C2-2](#) [590SX1N32F103SS](#) [591SXJ48S252SC](#) [591SXP56S252SC](#) [591SXP56S503SC](#) [D31409](#) [70B1G048K502X-A](#) [70B1M032S502W](#)  
[70B1N056S202W](#) [70B8N056F502W](#) [70J8N048S104U](#) [70L1N040P103W](#) [70L1N048P103X](#) [70L1N048S103W](#) [GA2L040S102UC](#)  
[GA2L040S103UC](#) [GS1G044P103UA](#) [GS1N048P103UA](#) [GS1T032S103UA](#) [A43-1500](#) [A43-20K](#) [A47-200K](#) [A4720K](#) [RA20LASD251A](#)  
[132-2-0-202](#) [132-0-0-202](#) [RK14K1220-F25-C0-A103](#) [RK14K1220F25C0C104](#) [RK14K1220-F25-C1-B103](#) [14910FAGJSX10102KA](#)  
[14910FBGLFY00103KA](#) [14910AABHSX10103KA](#) [14910FAGJSX10104KA](#) [152-01031](#) [C0342008 5K](#) [P270-109A](#) [J97589](#) [23M728](#)  
[RV170F-10-15R1-B500K-0021](#) [RV8NAYS104A](#) [917523A](#) [A43-40](#) [A43-750](#) [A43S-5](#) [A47-15K](#) [A4750K](#) [SPPG048S103U](#)  
[SPPG056P103U](#) [SWE-10](#) [GA2G040F103BA](#)