



FK3P02110L

Silicon N-channel MOSFET

For Load-switching

Features

- Low drain-source ON resistance: $R_{DS(on)typ.} = 12.5m\Omega$ ($V_{GS} = 2.5 V$)
- High heat dissipated and ultra-compact package PMCP
- RoHS compliant (EU RoHS / MSL:Level 1 compliant)

Marking Symbol: A1

Packaging

Embossed type (Thermo-compression sealing) : 7 000 pcs / reel (standard)

Absolute Maximum Ratings $T_a = 25\text{ }^\circ\text{C}$

Parameter	Symbol	Rating	Unit
Drain-source voltage	VDS	24	V
Gate-source voltage	VGS	± 12	V
Drain current	$T_a = 25\text{ }^\circ\text{C}$, DC ^{*2}	ID1	3.0
	$T_a = 25\text{ }^\circ\text{C}$, DC ^{*3}	ID2	6.0
Drain current (Pulsed)	$T_a = 25\text{ }^\circ\text{C}$ ^{*1*2}	IDp1	9.0
	$T_a = 25\text{ }^\circ\text{C}$ ^{*1*3}	IDp2	18.0
Total power dissipation	$T_a = 25\text{ }^\circ\text{C}$, DC ^{*2}	PD1	200
	$T_a = 25\text{ }^\circ\text{C}$, DC ^{*3}	PD2	750
Channel temperature	Tch	150	°C
Operating ambient temperature	Topr	-40 to +85	
Storage temperature range	Tstg	-55 to +150	

Note : *1 $t = 10\text{ }\mu\text{s}$, Duty Cycle < 1%

*2 When mounted on glass epoxy board typeA (Refer to Figure1)

*3 When mounted on glass epoxy board typeB (Refer to Figure2)

Electrical Characteristics $T_a = 25\text{ }^\circ\text{C} \pm 3\text{ }^\circ\text{C}$

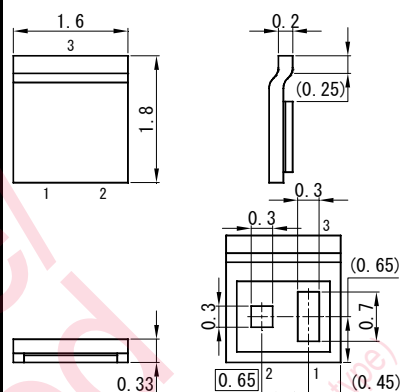
Static Characteristics

Parameter	Symbol	Conditions	Min	Typ	Max	Unit
Drain-source breakdown voltage	VDSS	ID = 1.0 mA, VGS = 0 V	24			V
Zero gate voltage drain current	IDSS	VDS = 24 V, VGS = 0 V			1.0	μA
Gate-source leakage current	IGSS	VGS = ± 8 V, VDS = 0 V			± 10	μA
Gate-source threshold voltage	Vth	ID = 1.0 mA, VDS = 10 V	0.4	0.85	1.4	V
Drain-source on-state resistance	RDS(on)	ID = 3.0 A, VGS = 2.5 V		12.5	20.0	$m\Omega$

Dynamic Characteristics

Parameter	Symbol	Conditions	Min	Typ	Max	Unit
Input capacitance ^{*1}	Ciss	VDS = 10 V, VGS = 0 V, f = 1 MHz		1500		pF
Output capacitance ^{*1}	Coss			140		
Reverse transfer capacitance ^{*1}	Crss			140		

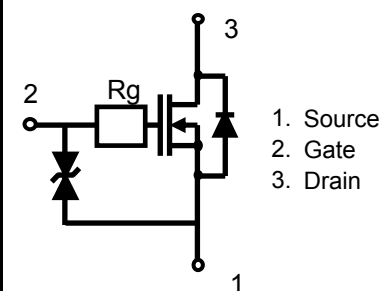
Package dimension Unit: mm



1. Source
2. Gate
3. Drain

Panasonic	PMCP-1816-Z1
JEITA	—
Code	—

Equivalent circuit, Pin name





Parameter	Symbol	Conditions	Min	Typ	Max	Unit
Turn-on delay time ^{*1 *2}	td(on)	VDD = 10 V, VGS = 0 to 4 V, ID = 3.0 A		0.6		μs
Rise time ^{*1 *2}	tr			0.9		
Turn-off delay time ^{*1 *2}	td(off)	VDD = 10 V, VGS = 4 to 0 V, ID = 3.0 A		5.0		μs
Fall time ^{*1 *2}	tf			2.3		

Note : 1. Measuring methods are based on JAPANESE INDUSTRIAL STANDARD JIS C 7030 Measuring methods for transistors.

2. *1 Assured by design

*2 Refer to figure3, measurement circuit for Turn-on delay time / Rise time / Turn-off delay time / Fall time

Figure1: Glass epoxy board typeA

Material:FR4, Size:25.4mm x 25.4mm x t 1.0mm, Cu pad:thickness 36μm, 25.3mm²

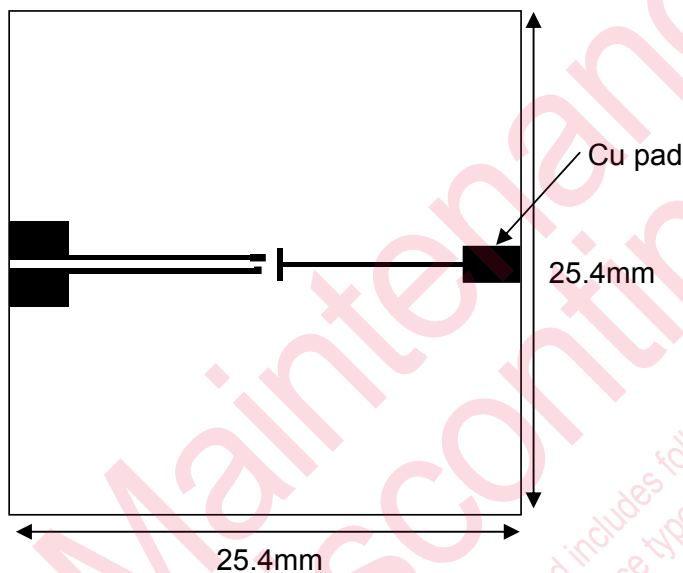


Figure2: Glass epoxy board typeB

Material:FR4, Size:25.4mm x 25.4mm x t 1.0mm, Cu pad:thickness 36μm, 82.0mm²

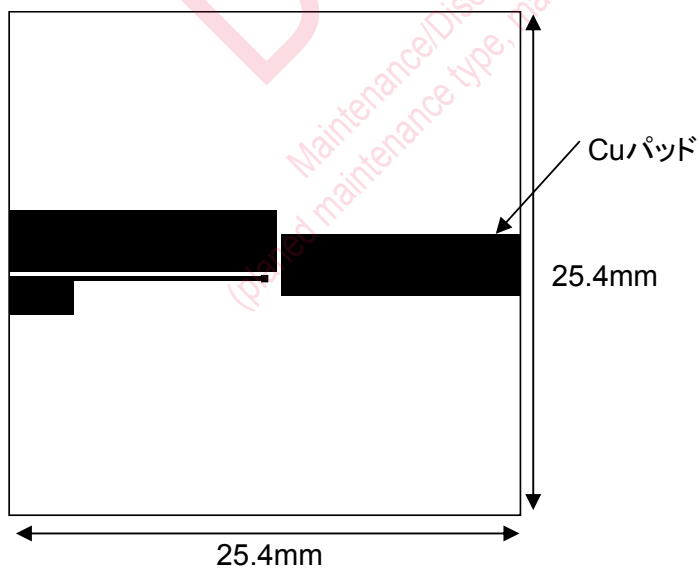
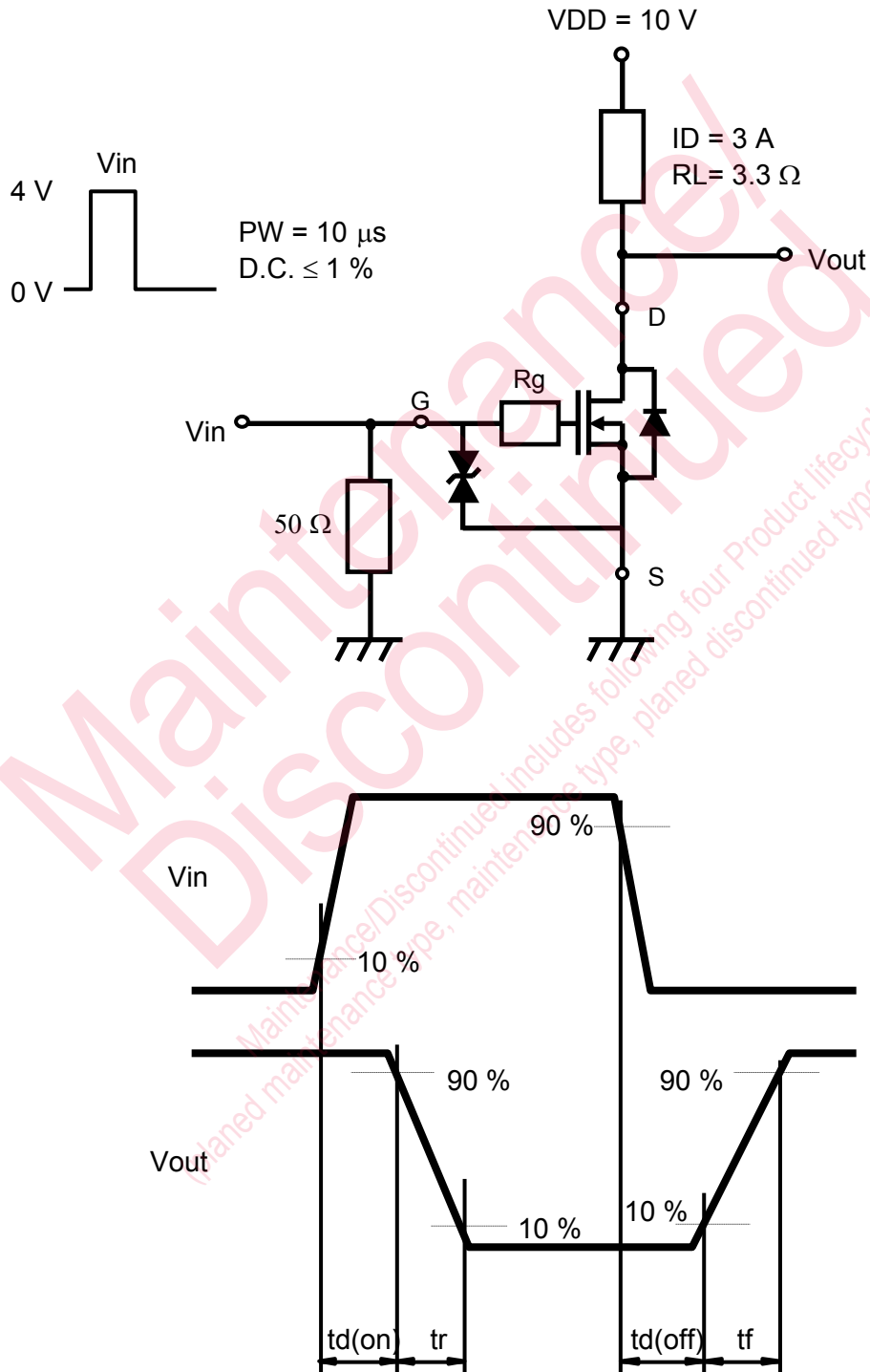


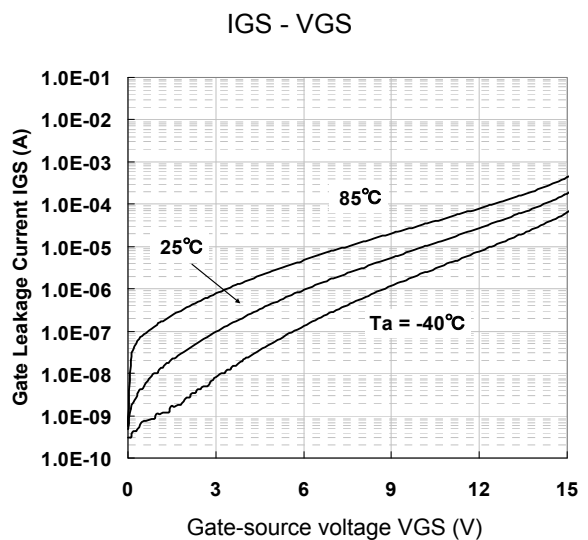
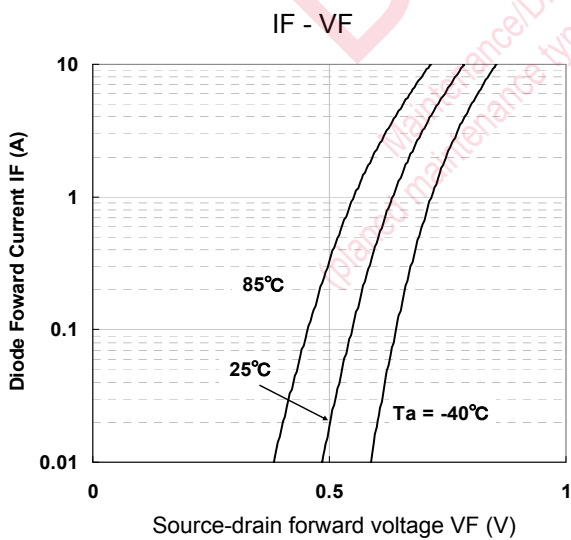
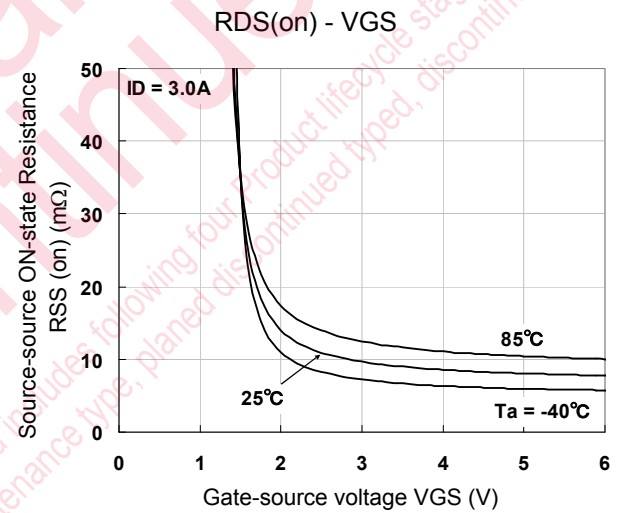
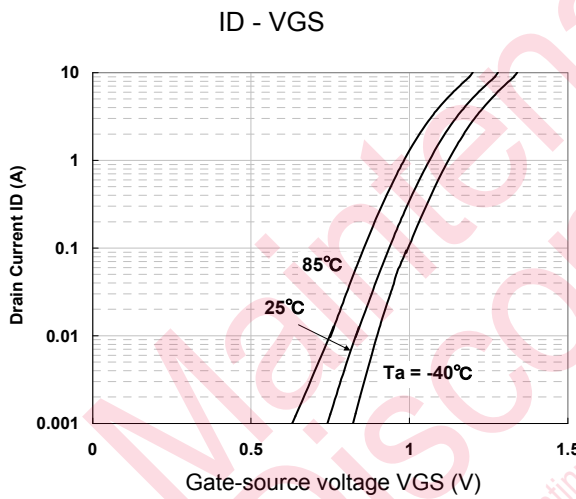
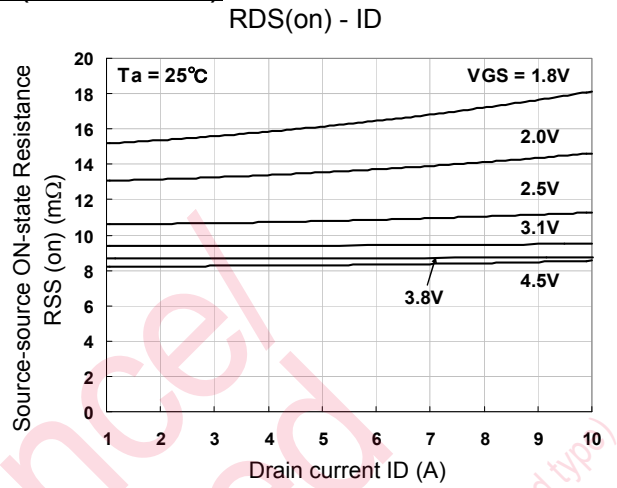
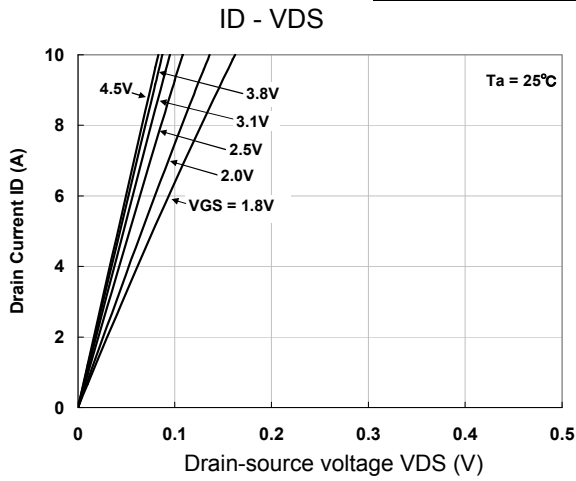


Figure3: Measurement circuit for Turn-on delay time / Rise time / Turn-off delay time / Fall time



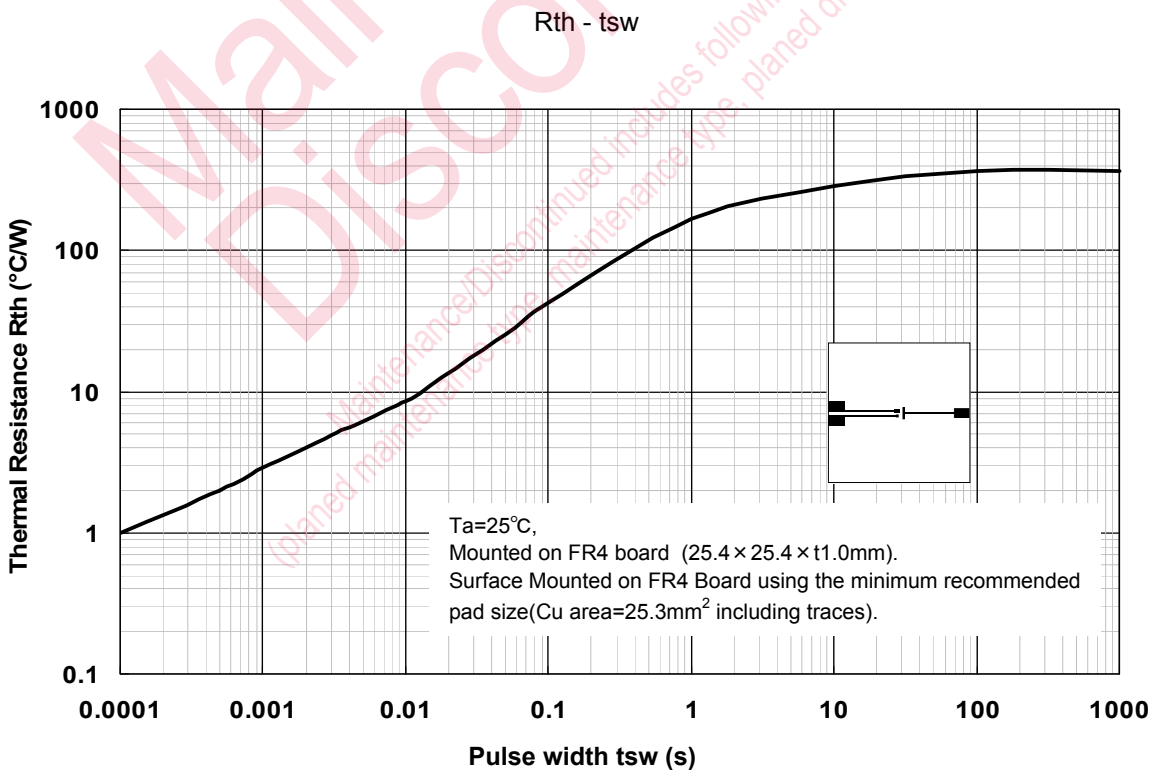
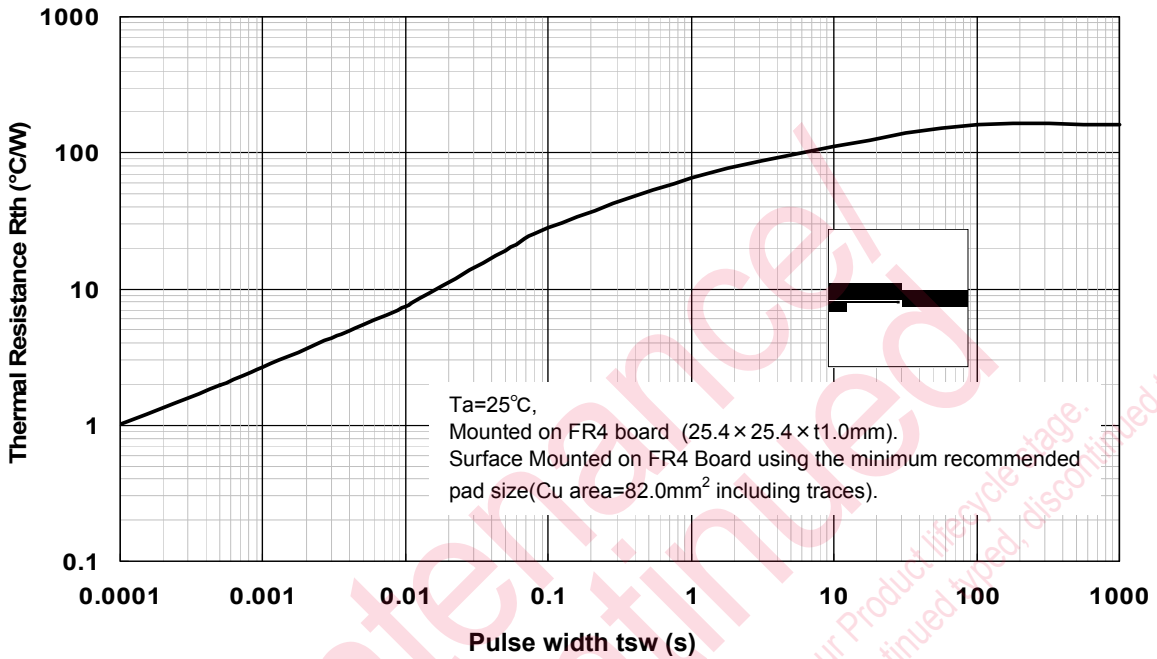


Technical Data (reference)





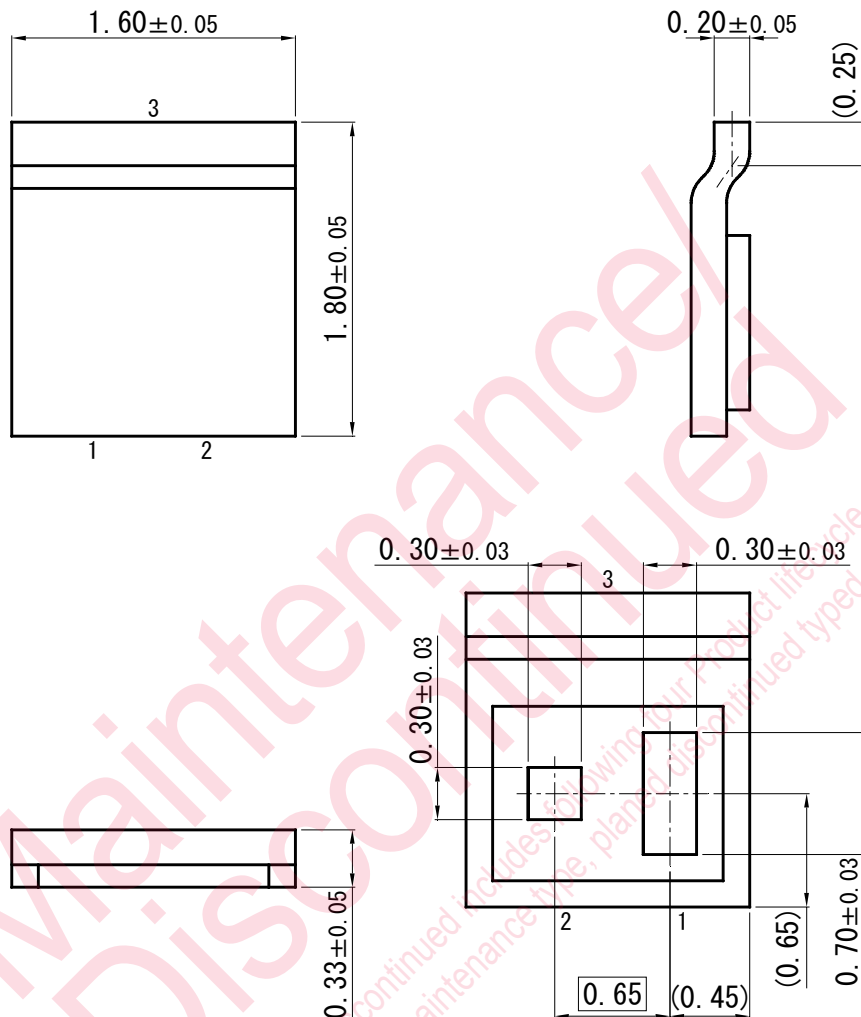
Technical Data (reference)
 Rth - tsw



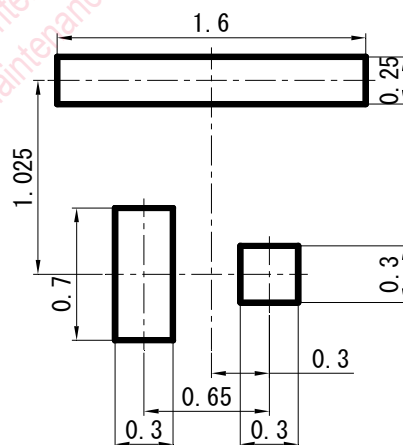


PMCP-1816-Z1

Unit: mm



Land Pattern (Reference) (Unit: mm)



Request for your special attention and precautions in using the technical information and semiconductors described in this book

- (1) If any of the products or technical information described in this book is to be exported or provided to non-residents, the laws and regulations of the exporting country, especially, those with regard to security export control, must be observed.
- (2) The technical information described in this book is intended only to show the main characteristics and application circuit examples of the products. No license is granted in and to any intellectual property right or other right owned by Panasonic Corporation or any other company. Therefore, no responsibility is assumed by our company as to the infringement upon any such right owned by any other company which may arise as a result of the use of technical information described in this book.
- (3) The products described in this book are intended to be used for general applications (such as office equipment, communications equipment, measuring instruments and household appliances), or for specific applications as expressly stated in this book.
Consult our sales staff in advance for information on the following applications:
 - Special applications (such as for airplanes, aerospace, automotive equipment, traffic signaling equipment, combustion equipment, life support systems and safety devices) in which exceptional quality and reliability are required, or if the failure or malfunction of the products may directly jeopardize life or harm the human body.It is to be understood that our company shall not be held responsible for any damage incurred as a result of or in connection with your using the products described in this book for any special application, unless our company agrees to your using the products in this book for any special application.
- (4) The products and product specifications described in this book are subject to change without notice for modification and/or improvement. At the final stage of your design, purchasing, or use of the products, therefore, ask for the most up-to-date Product Standards in advance to make sure that the latest specifications satisfy your requirements.
- (5) When designing your equipment, comply with the range of absolute maximum rating and the guaranteed operating conditions (operating power supply voltage and operating environment etc.). Especially, please be careful not to exceed the range of absolute maximum rating on the transient state, such as power-on, power-off and mode-switching. Otherwise, we will not be liable for any defect which may arise later in your equipment.
Even when the products are used within the guaranteed values, take into the consideration of incidence of break down and failure mode, possible to occur to semiconductor products. Measures on the systems such as redundant design, arresting the spread of fire or preventing glitch are recommended in order to prevent physical injury, fire, social damages, for example, by using the products.
- (6) Comply with the instructions for use in order to prevent breakdown and characteristics change due to external factors (ESD, EOS, thermal stress and mechanical stress) at the time of handling, mounting or at customer's process. When using products for which damp-proof packing is required, satisfy the conditions, such as shelf life and the elapsed time since first opening the packages.
- (7) This book may be not reprinted or reproduced whether wholly or partially, without the prior written permission of our company.

X-ON Electronics

Largest Supplier of Electrical and Electronic Components

Click to view similar products for [MOSFET](#) category:

Click to view products by [Panasonic](#) manufacturer:

Other Similar products are found below :

[614233C](#) [648584F](#) [IRFD120](#) [JANTX2N5237](#) [FCA20N60_F109](#) [FDZ595PZ](#) [2SK2545\(Q,T\)](#) [405094E](#) [423220D](#) [TPCC8103,L1Q\(CM](#)
[MIC4420CM-TR](#) [VN1206L](#) [SBVS138LT1G](#) [614234A](#) [715780A](#) [NTNS3166NZT5G](#) [SSM6J414TU,LF\(T](#) [751625C](#) [BUK954R8-60E](#)
[NTE6400](#) [SQJ402EP-T1-GE3](#) [2SK2614\(TE16L1,Q\)](#) [2N7002KW-FAI](#) [DMN1017UCP3-7](#) [EFC2J004NUZTDG](#) [ECH8691-TL-W](#)
[FCAB21350L1](#) [P85W28HP2F-7071](#) [DMN1053UCP4-7](#) [NTE221](#) [NTE222](#) [NTE2384](#) [NTE2903](#) [NTE2941](#) [NTE2945](#) [NTE2946](#) [NTE2960](#)
[NTE2967](#) [NTE2969](#) [NTE2976](#) [NTE455](#) [NTE6400A](#) [NTE2910](#) [NTE2916](#) [NTE2956](#) [NTE2911](#) [DMN2080UCB4-7](#) [TK10A80W,S4X\(S](#)
[SSM6P69NU,LF](#) [DMP22D4UFO-7B](#)