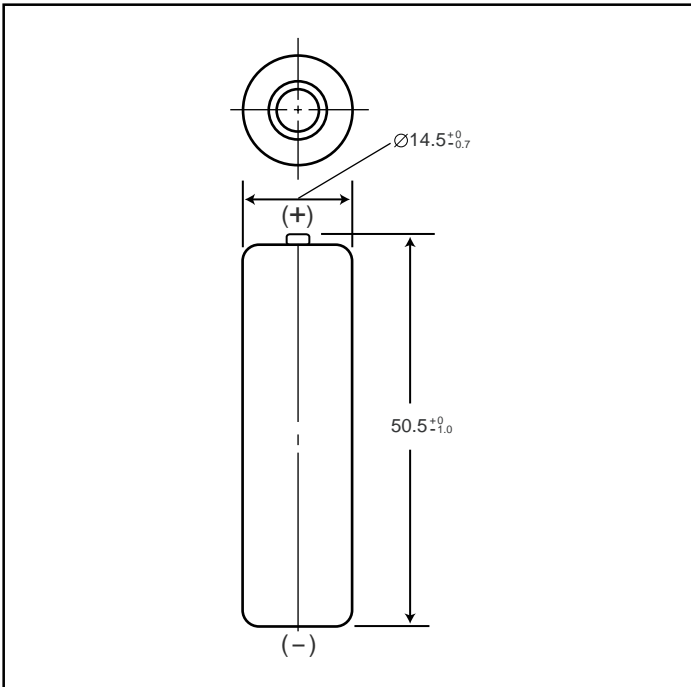


NICKEL METAL HYDRIDE BATTERIES: INDIVIDUAL DATA SHEET

HHR210AA/B Cylindrical AA size (HR 15/51)

Dimensions (with Tube) (mm)



Specifications

| | mm | inch |
|--------------------|--------------|--------------|
| Diameter | 14.5 +0/-0.7 | 0.57 +0/-0.3 |
| Height | 50.5 +0/-1.0 | 1.99 +0/-0.5 |
| Approximate Weight | Grams | Ounces |
| | 29 | 1.02 |

| | | | | |
|--|--------------|-------------------------|---------------|---------------|
| Nominal Voltage | | 1.2V | | |
| Discharge Capacity* | Average** | 2080mAh | | |
| | Rated (Min.) | 2000mAh | | |
| Approx. internal Impedance at 1000Hz at charged state. | | 25mΩ | | |
| Charge | Standard | 200mA (0.1It) x 16 hrs. | | |
| | Rapid | 1200mA (1It) x 2 hrs. | | |
| Ambient Temperature | Charge | Standard | °C | °F |
| | | | 0°C to 45°C | 32°F to 113°F |
| | Rapid | 0°C to 40°C | 32°F to 113°F | |
| | | Discharge | | -10°C to 65°C |
| | Storage | < 1 year | -20°C to 35°C | -4°F to 95°F |
| | | < 3 months | -20°C to 45°C | -4°F to 113°F |
| < 1 month | | -20°C to 55°C | -4°F to 131°F | |

* After charging at 0.1It for 16 hours, discharging at 0.2It.

** For reference only.

Battery performance and cycle life are strongly affected by how they are used. In order to maximize battery safety, please consult Panasonic when determining charge / discharge specs, warning label contents and unit design.

Note: [It] was previously expressed as [C]. [It] is an IEC standard expression for the amount of charge or discharge current and is expressed as:

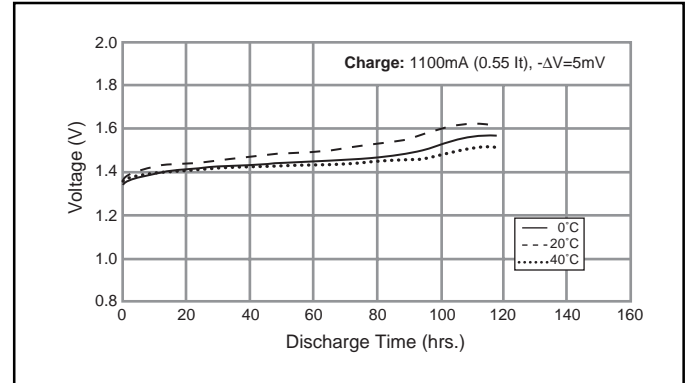
$$It(A) = C_n (Ah)/1h$$

* [It] is the reference test current in amperes

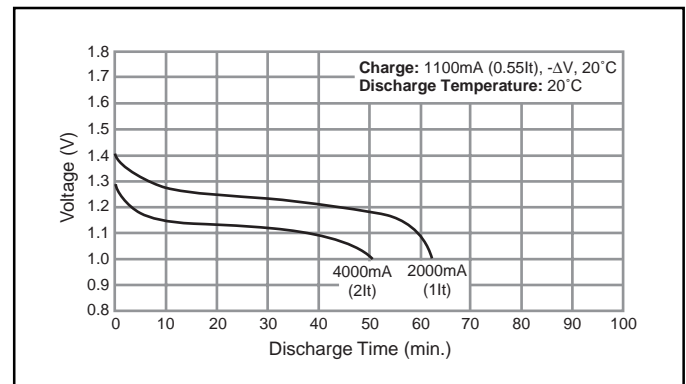
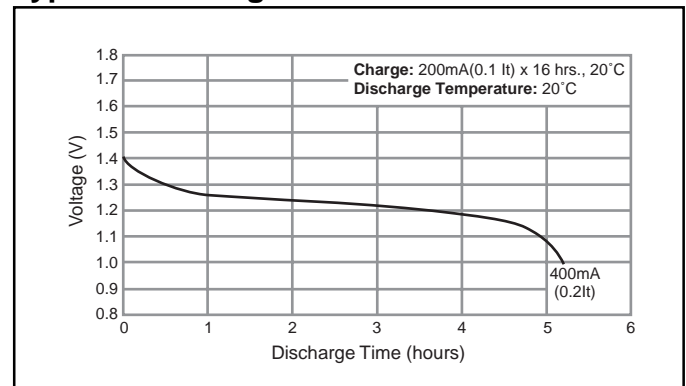
* [C_n] is the rated capacity of the cell or battery in Ampere-hours.

n = the time base [hours] for which the rated capacity is declared

Typical Charge Characteristics



Typical Discharge Characteristics



X-ON Electronics

Largest Supplier of Electrical and Electronic Components

Click to view similar products for [NiMH - Nickel Metal Hydride Battery](#) category:

Click to view products by [Panasonic](#) manufacturer:

Other Similar products are found below :

[HHR-75AAA/B](#) [BK-110FHB01](#) [NH1250AA](#) [NH-3000SC](#) [HHR200SCP](#) [NH-2100A](#) [NH-600AAA](#) [NH-B320](#) [HHR-26SCP Y01](#) [NH-1500AA](#)
[NH-1250AAL](#) [NH-7000D](#) [BK-200AAB9B](#) [BK-250AB01](#) [BK-80AAAB9B](#) [HHR-200AB20](#) [HHR-210AB18](#) [HHR-25SCHY03](#) [HHR-](#)
[300CHA03](#) [HHR-30SCP Y20](#) [HHR-370AHA05](#) [HHR-60AAAHB2](#) [HHR-75AAAB5B](#)