

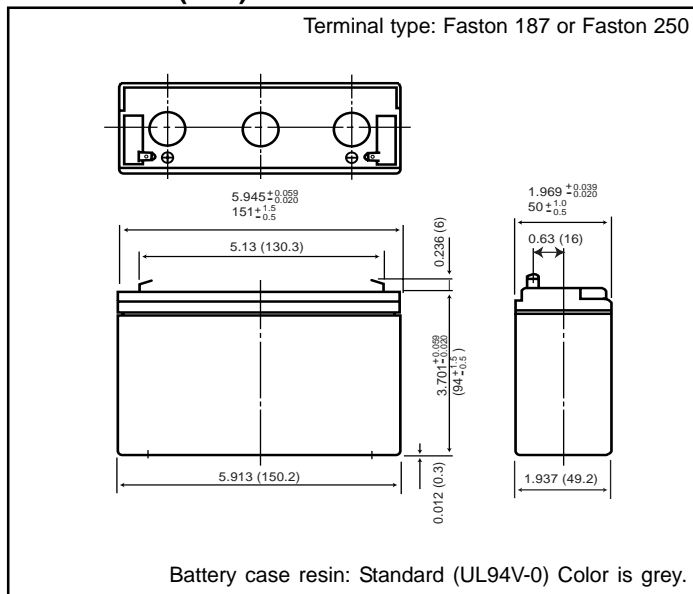
# VALVE-REGULATED LEAD ACID BATTERIES: INDIVIDUAL DATA SHEET

## LC-P0612P



For standby power supplies. Expected trickle life: Approx. 6 years at 25°C, Approx. 10 years at 20°C.

### Dimensions (mm)



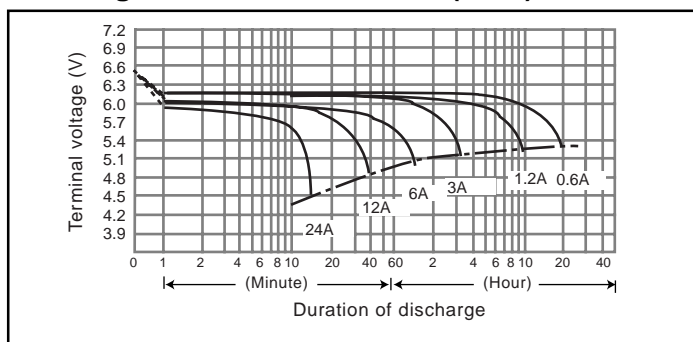
### Specifications

<b>Nominal Voltage</b>		6V
<b>Rated capacity (20 hour rate)</b>		12Ah
<b>Dimensions</b>	<b>Length</b>	5.945 inches (151.0 mm)
	<b>Width</b>	1.969 inches (50.0 mm)
	<b>Height</b>	3.702 inches (94.0 mm)
	<b>Total Height*</b>	3.937 inches (100.0 mm)
<b>Approx. mass</b>		4.41 lbs. (2.0 kg)
<b>Standard Terminals and Resin</b>	UL94V-0 Faston 250	LC-P0612P1
<b>Optional Terminals and Resin</b>	UL94V-0 Faston 187	◆ LC-P0612P

\* The total height with #250 terminal is 101.5mm.

◆ Please contact Panasonic for availability on optional items. Optional items may be subject to minimum order quantities.

### Discharge characteristics 77°F (25°C) (Note)



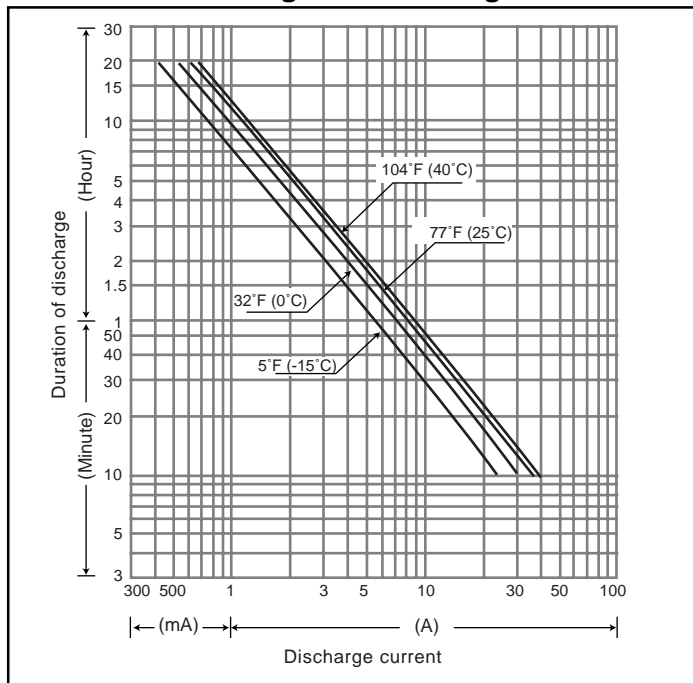
### Characteristics

Capacity (note) 77°F (25°C)	20 hour rate (600mA)	12Ah	
	10 hour rate (1130mA)	11.3Ah	
Internal Resistance	5 hour rate (2080mA)	10.4Ah	
	1 hour rate (8100mA)	8.1Ah	
	1.5 hour rate discharge Cut-off voltage 5.25 V	5.8A	
Temperature dependency of capacity (20 hour rate)	Fully charged battery 77°F (25°C)	Approx. 15mΩ	
	104°F (40°C)	102%	
	77°F (25°C)	100%	
	32°F (0°C)	85%	
Self discharge 77°F (25°C)	5°F (-15°C)	65%	
	Residual capacity after standing 3 months	91%	
	Residual capacity after standing 6 months	82%	
Charge Method (Constant Voltage)	Trickle use	Residual capacity after standing 12 months	64%
		Initial current	1.8 A or smaller
		Control voltage	6.8V to 6.9V (per 6V cell 25°C)

(Note) The above characteristics data are average values obtained within three charge/discharge. Cycles are not the minimum values.

(Note) For cycle use of the battery, please contact us in advance.

### Duration of discharge vs. Discharge current (Note)



## **X-ON Electronics**

Largest Supplier of Electrical and Electronic Components

*Click to view similar products for [Sealed Lead Acid Battery](#) category:*

*Click to view products by [Panasonic](#) manufacturer:*

Other Similar products are found below :

[0809-0012](#) [0819-0012](#) [0850-0004](#) [0859-0012](#) [0800-0004](#) [LC-R0612P](#) [PS-1250F1](#) [APCRBC123](#) [APCRBC124](#) [LCRA1212P](#) [NP12-12](#)  
[NP3.2-12](#) [LC-P127R2P](#) [LC-P0612P](#) [LC-R063R4P](#) [LC-R067R2P1](#) [LC-R121R3P](#) [LC-R127R2P1](#) [LC-X1220AP](#) [UP-VW1245P1](#) [1109004](#)  
[2320296](#) [2320306](#) [2320319](#) [2320322](#) [2320335](#) [2320416](#) [2320429](#) [2908237](#) [RBC32](#) [RBC11A](#) [RBC36-SLT](#)