

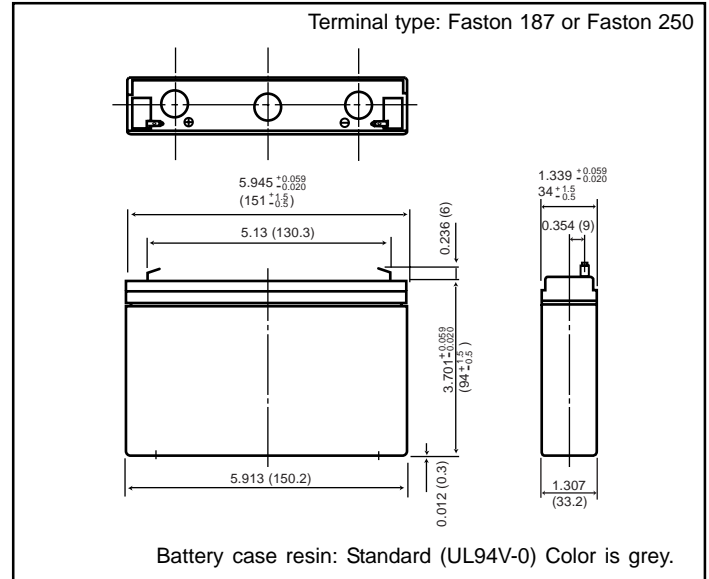
# VALVE-REGULATED LEAD ACID BATTERIES: INDIVIDUAL DATA SHEET

## LC-P067R2P



For standby power supplies. Expected trickle life: Approx. 6 years at 25°C, Approx. 10 years at 20°C.

### Dimensions (mm)

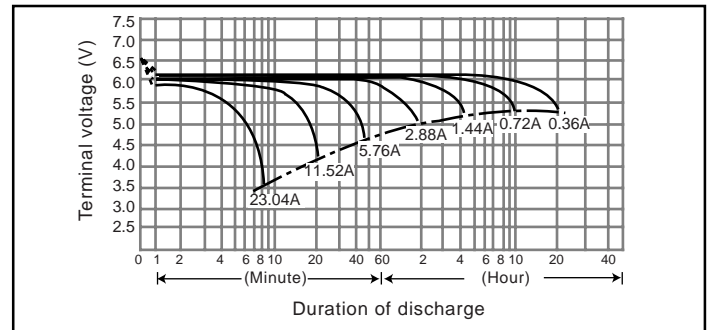


### Specifications

Nominal Voltage		6V
Rated capacity (20 hour rate)		7.2Ah
Dimensions	Length	5.945 inches (151.0 mm)
	Width	1.339 inches (34.0 mm)
	Height	3.702 inches (94.0 mm)
	Total Height*	3.937 inches (100.0 mm)
Approx. mass		2.86 lbs. (1.30 kg)
Standard Terminals and Resin	UL94V-0 Faston 250	LC-P067R2P1
Optional Terminals and Resin	UL94V-0 Faston 187	◆ LC-P067R2P

◆ Please contact Panasonic for availability on optional items. Optional items may be subject to minimum order quantities.

### Discharge characteristics 77°F (25°C) (Note)



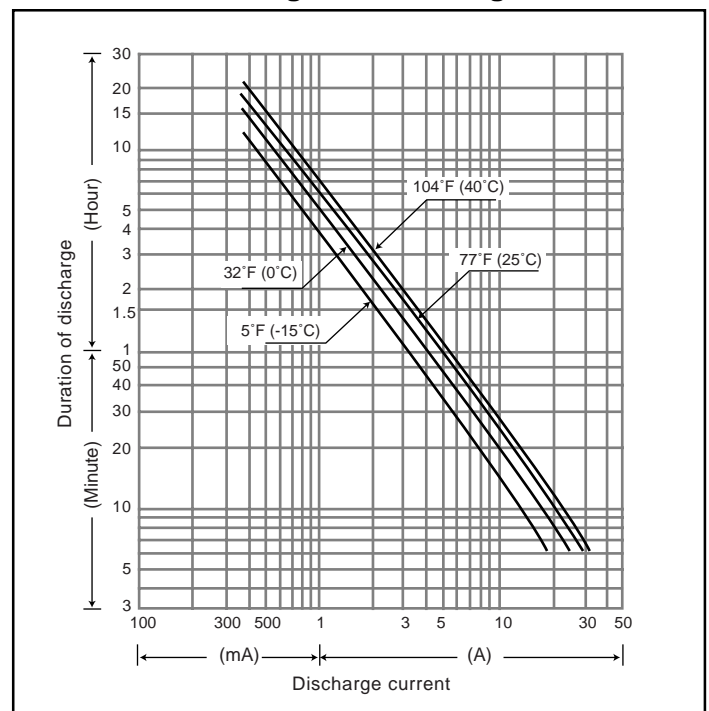
### Characteristics

Capacity (note) 77°F (25°C)	20 hour rate (360mA)	7.2Ah	
	10 hour rate (680mA)	6.8Ah	
	5 hour rate (1260mA)	6.3Ah	
	1 hour rate (4900mA)	4.9Ah	
	1.5 hour rate discharge Cut-off voltage 5.25 V	3.5A	
Internal Resistance	Fully charged battery 77°F (25°C)	Approx. 20mΩ	
Temperature dependency of capacity (20 hour rate)	104°F (40°C)	102%	
	77°F (25°C)	100%	
	32°F (0°C)	85%	
	5°F (-15°C)	65%	
Self discharge 77°F (25°C)	Residual capacity after standing 3 months	91%	
	Residual capacity after standing 6 months	82%	
	Residual capacity after standing 12 months	64%	
Charge Method (Constant Voltage)	Trickle use	Initial current	1.08 A or smaller
		Control voltage	6.8V to 6.9V (per 6V cell 25°C)

(Note) The above characteristics data are average values obtained within three charge/discharge. Cycles not the minimum values.

(Note) For cycle use of the battery, please contact us in advance.

### Duration of discharge vs. Discharge current (Note)



## X-ON Electronics

Largest Supplier of Electrical and Electronic Components

*Click to view similar products for [Sealed Lead Acid Battery](#) category:*

*Click to view products by [Panasonic](#) manufacturer:*

Other Similar products are found below :

[1109004](#) [0809-0012](#) [0819-0012](#) [0850-0004](#) [0859-0012](#) [0800-0004](#) [LC-R0612P](#) [PS-1250F1](#) [APCRBC123](#) [APCRBC124](#) [LCRA1212P](#) [NP12-12](#) [NP3.2-12](#) [LC-P127R2P](#) [LC-P0612P](#) [LC-R063R4P](#) [LC-R067R2P1](#) [LC-R121R3P](#) [LC-R127R2P1](#) [LC-X1220AP](#) [UP-VW1245P1](#) [2320296](#)  
[2320306](#) [2320319](#) [2320322](#) [2320335](#) [2320416](#) [2320429](#) [2908237](#) [RBC32](#) [RBC11A](#) [RBC36-SLT](#)