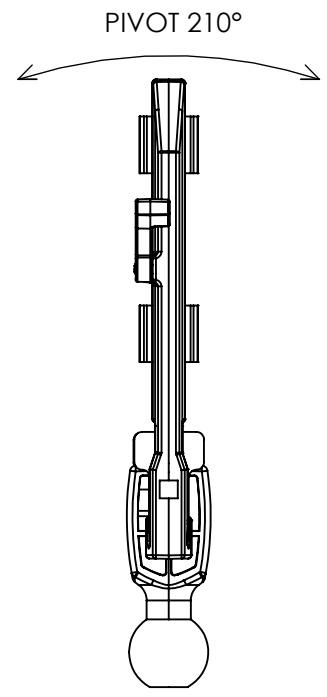
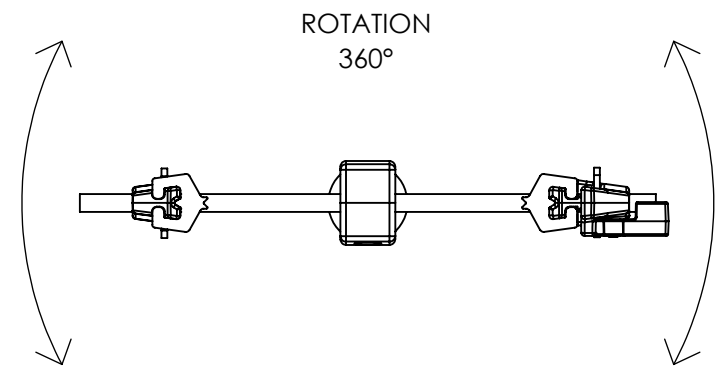


8 7 6 5 4 3 2 1

REVISIONS				
ZONE	REV.	DESCRIPTION	DRAWN/DATE	APPROVED/DATE
	PR1	INITIAL RELEASE OF PRODUCT SPECIFICATIONS	IM 10/04/2017	



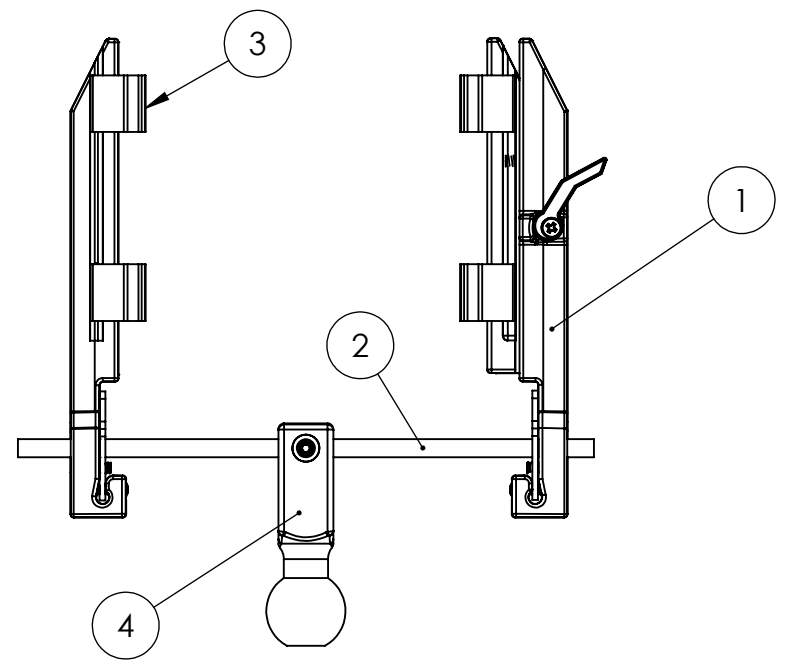
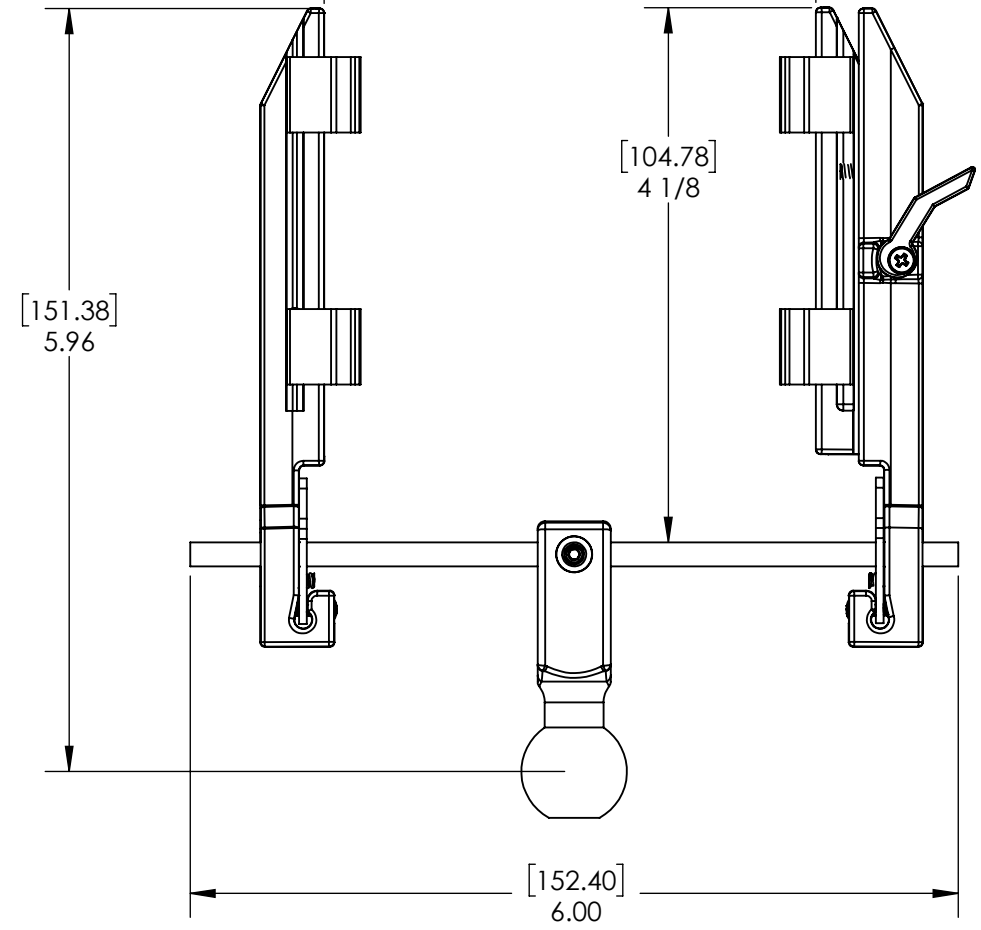
SPECIFICATIONS

OVERALL HEIGHT:6.0 [152.40]
 ROTATION:360 DEGREES
 SWIVEL:360 DEGREES
 PIVOT:210 DEGREES
 SHIPPING WEIGHT:0.28 POUNDS [.13KG]
 VISE OPENING:4 1/2 [114.30] MAXIMUM
 JAW HEIGHT:4 1/8 [104.78]

MATERIAL

1. VISE ARM PAIR ASSY: ALUMINUM #380 DIE CAST
2. CROSS BAR: ZINC-PLATED STEEL
3. STANDOFFS: SILICONE RUBBER, BLACK, SHORE 80±5
4. BALL: PA6+30%GF-BLACK

JAW OPENING
0[0] MIN
4 1/2 [114.30] MAX



PROPRIETARY AND CONFIDENTIAL
 THE INFORMATION CONTAINED IN THIS DRAWING IS THE SOLE PROPERTY OF PANAVISE PRODUCTS INC. ANY REPRODUCTION IN PART OR AS A WHOLE WITHOUT THE WRITTEN PERMISSION OF PANAVISE PRODUCTS INC IS PROHIBITED.

UNLESS OTHERWISE SPECIFIED:		NAME	DATE	<p>7540 Colbert Drive, Reno, Nevada 89511-1225 Phone (775) 850-2900 Fax (775) 850-2929</p> <p>TITLE: MODEL 215 SPEC SHEET</p>	
DIMENSIONS ARE IN INCHES		DRAWN	IM		100417
TOLERANCES:		CHECKED			
FRACTIONAL ±1/64		ENG APPR.			
ANGULAR:		MFG APPR.			
MACH ±1/2° BEND ±1°		Q.A.			
TWO PLACE DECIMAL ±01		COMMENTS:			
THREE PLACE DECIMAL ±.005					
INTERPRET GEOMETRIC TOLERANCING PER: ASME 14.5M -2009					
MATERIAL					
NEXT ASSY	USED ON	FINISH			
APPLICATION		DO NOT SCALE DRAWING			
SIZE	DWG. NO.	REV			
B	215 SP	A			
SCALE: 1:2	WEIGHT:	SHEET 1 OF 1			

8 7 6 5 4 3 2 1

X-ON Electronics

Largest Supplier of Electrical and Electronic Components

Click to view similar products for [Panavise](#) manufacturer:

Other Similar products are found below :

[201](#) [380-RK](#) [511](#) [530](#) [506](#) [502](#) [507](#) [510](#) [512](#) [570](#) [305MDT](#) [817-13](#) [856-06](#) [215](#) [216](#) [309](#) [15504](#) [300](#) [311](#) [385](#) [316](#) [510-A](#) [782-08](#) [727-04](#)
[217](#) [318-18](#) [371](#) [400](#) [510-R](#) [318-30](#) [353](#) [883-T](#) [513-C](#) [320](#) [358](#) [513](#) [532](#) [105108B](#) [513-A](#) [324](#) [366](#) [400MDT](#) [15952](#) [315](#) [15951](#) [PV201](#)
[203](#) [239](#) [312](#) [204](#)