

REVISIONS				
ZONE	REV.	DESCRIPTION	DATE	APPROVED
	A	RELEASE	JRM 2/17/21	

**ALL DIMENSIONS ARE FOR REFERENCE ONLY**  
 DIMENSIONS ARE IN INCHES [MILLIMETERS]  
 UNLESS OTHERWISE NOTED

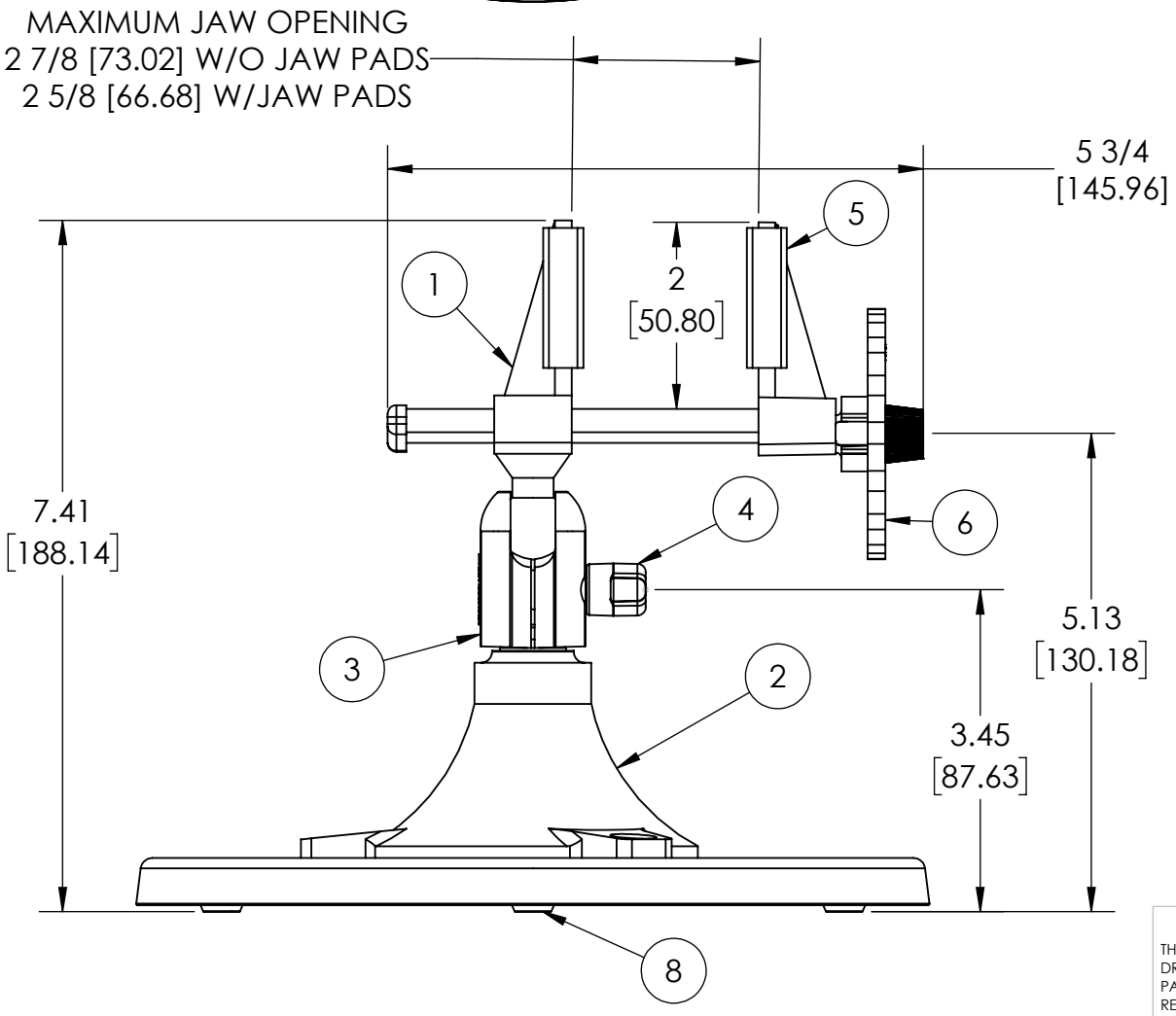
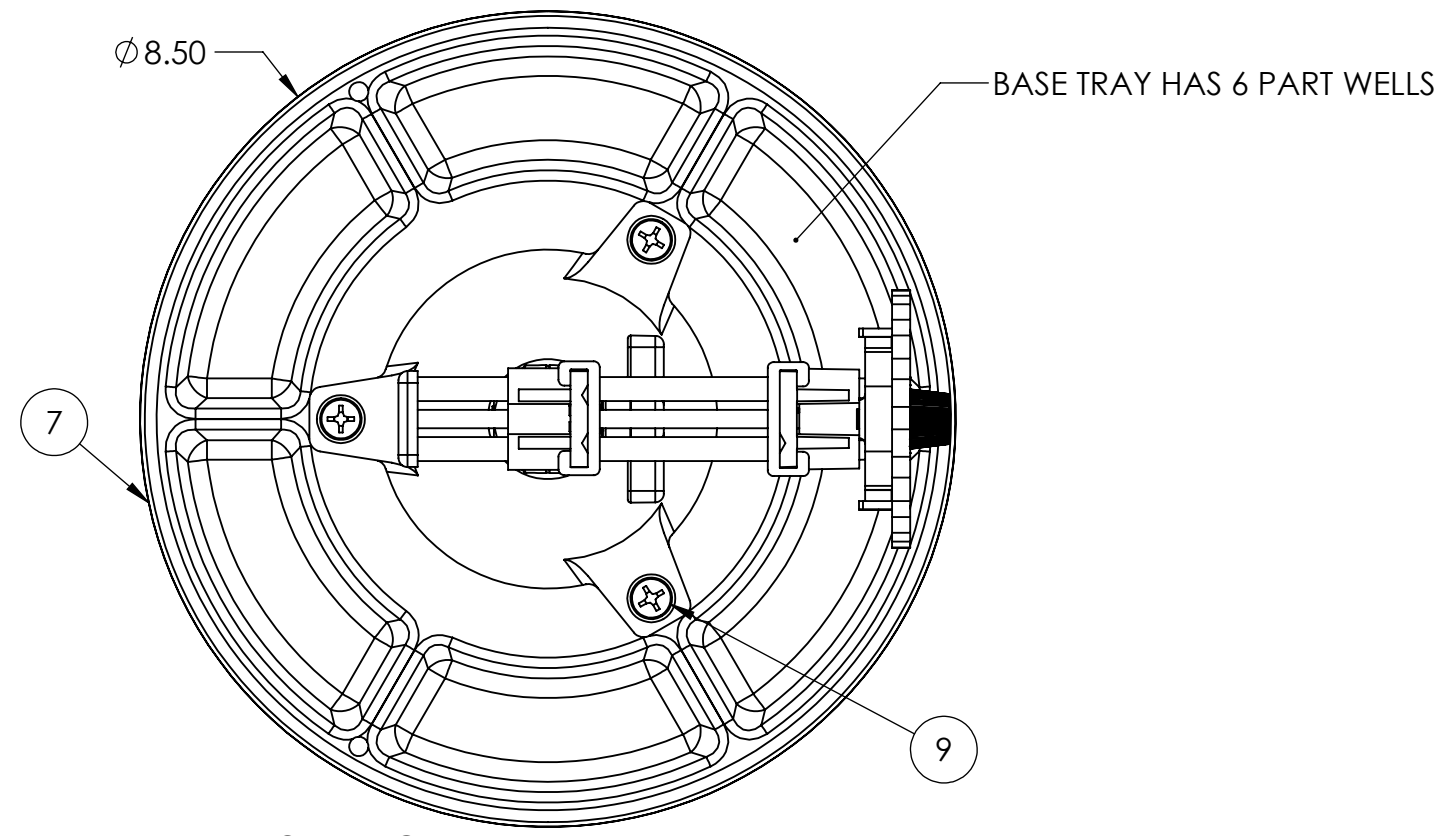
**SPECIFICATIONS**

- OVERALL HEIGHT..... 7.41 [188.14]
- ROTATION..... 360 DEGREES
- TURN..... 360 DEGREES
- TILT..... 210 DEGREES
- SHIPPING WEIGHT..... 2.75 LBS
- WISE OPENING..... 2 7/8 [73.02] MAXIMUM
- JAW WIDTH..... 1 [25.40]
- JAW HEIGHT..... 2 [50.80]


**MATERIAL:**

- 1. VISE HEAD ASSY\*..... BLACK GLASS REINFORCED THERMAL COMPOSITE ALLOY
- 2. BASE..... #3 ZINC DIE CAST SILVER PAINT
- 3. BALL JOINT CLAMPS..... #3 ZINC DIE CAST SILVER PAINT THERMAL COMPOSITE ALLOY
- 4. KNOB..... BLACK GLASS REINFORCED THERMAL COMPOSITE ALLOY
- 5. JAW PADS..... BLACK NEOPRENE
- 6. SPEED HANDLE..... BLACK GLASS REINFORCED THERMAL COMPOSITE ALLOY
- 7. BASE TRAY..... #3 ZINC DIE CAST SILVER PAINT
- 8. BUMPON..... BLACK RUBBER
- 9. SCREW..... 1/4-20 X 1/2 PHILLIPS HEAD, STEEL

\*VISE HEAD ASSEMBLY INCLUDES KNOB, END CAP AND BOTH JAWS.



**PROPRIETARY AND CONFIDENTIAL**  
 THE INFORMATION CONTAINED IN THIS DRAWING IS THE SOLE PROPERTY OF PANAVISE PRODUCTS INC. ANY REPRODUCTION IN PART OR AS A WHOLE WITHOUT THE WRITTEN PERMISSION OF PANAVISE PRODUCTS INC IS PROHIBITED.

UNLESS OTHERWISE SPECIFIED:		NAME	DATE	 7540 Colbert Drive, Reno, Nevada 89511-1225 Phone (775) 850-2900 Fax (775) 850-2929
DIMENSIONS ARE IN INCHES		DRAWN		
TOLERANCES:		CHECKED		
FRACTIONAL ± 1/64		ENG APPR.		
ANGULAR:		MFG APPR.		
MACH ± 1/2° BEND ±		Q.A.		
TWO PLACE DECIMAL: ±.01		COMMENTS:		
THREE PLACE DECIMAL: ±.005				
INTERPRET GEOMETRIC TOLERANCING PER: ASME 14.5M -2009				
MATERIAL				
NEXT ASSY	USED ON			
APPLICATION	DO NOT SCALE DRAWING			

TITLE: PV JR DELUXE WORK CENTER SPEC SHEET		SIZE: <b>B</b>	DWG. NO.: 250-SP	REV: <b>A</b>
SCALE: 1:2		WEIGHT:	SHEET 1 OF 1	

## X-ON Electronics

Largest Supplier of Electrical and Electronic Components

*Click to view similar products for [PCB Holders & Vices](#) category:*

*Click to view products by [Panavise](#) manufacturer:*

Other Similar products are found below :

[510](#) [510-R](#) [318-30](#) [513-C](#) [T0051502699N](#) [318-18](#) [337](#) [670-A](#) [343](#) [344](#) [346](#) [352](#) [353](#) [358](#) [366](#) [371](#) [376](#) [380](#) [385](#) [396](#) [502](#) [506](#) [507](#) [510](#)  
[511](#) [513](#) [17010](#) [561](#) [570](#) [328](#) [346NM](#) [400](#) [437](#) [510](#) [856-03](#) [204](#) [239](#) [MC23780](#) [513-A](#) [510-A](#) [301](#) [303](#) [304](#) [305](#) [308](#) [311](#) [312](#) [797-14](#)  
[883-06](#) [845-246](#)