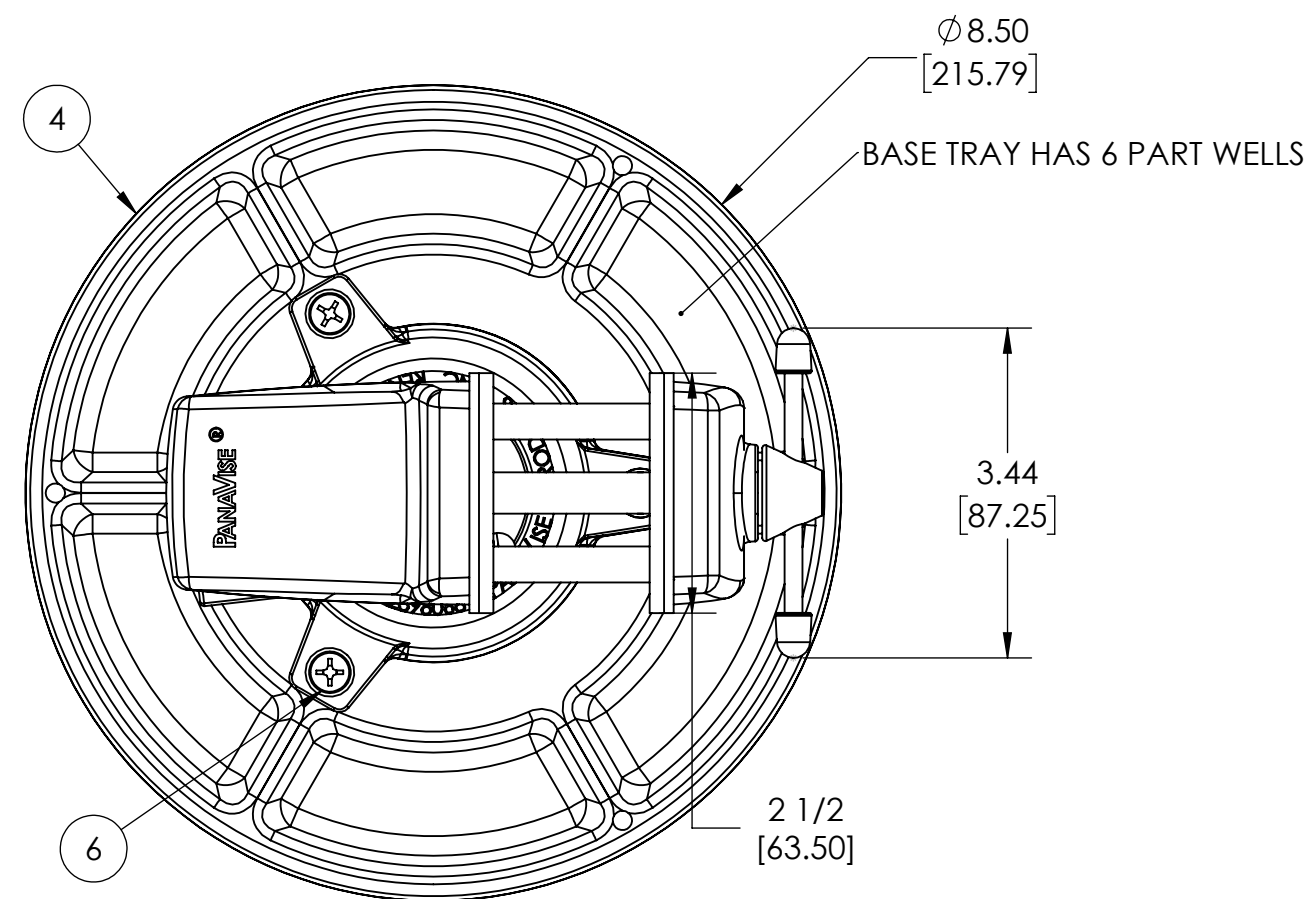


REVISIONS				
ZONE	REV.	DESCRIPTION	DATE	APPROVED
	A	RELEASE	JRM 2/2/21	



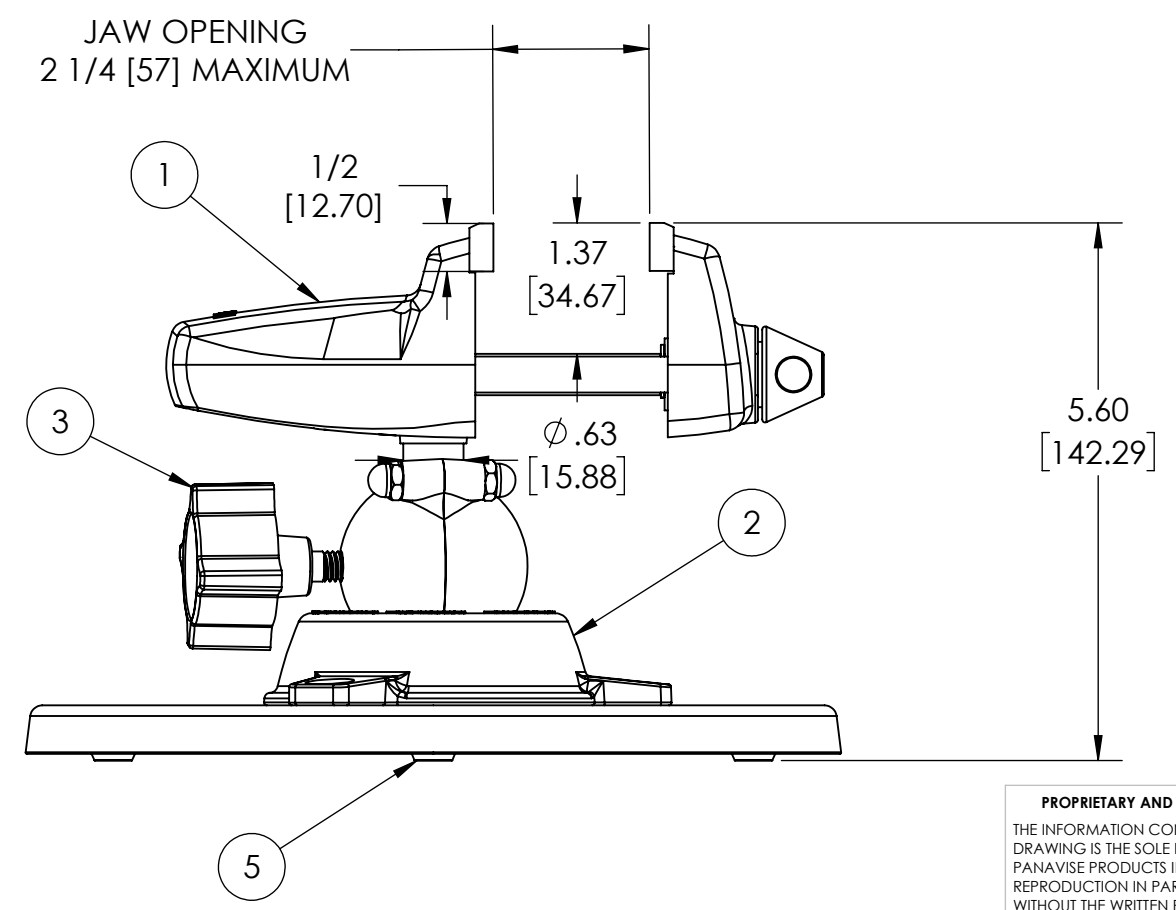
ALL DIMENSIONS ARE FOR REFERENCE ONLY
DIMENSIONS ARE IN INCHES [MILLIMETERS] UNLESS OTHERWISE NOTED

SPECIFICATIONS

- OVERALL HEIGHT..... 5.60 [142.29]
- ROTATION..... 360 DEGREES
- TURN..... 360 DEGREES
- TILT..... 90 DEGREES
- SHIPPING WEIGHT..... 5.25 LBS
- WISE OPENING..... 2 1/4 [57.15] MAXIMUM
- JAW WIDTH..... 2 1/2 [63.50]
- JAW HEIGHT..... 1/2 [12.70]


MATERIAL:

- 1. VISE HEAD ASSY*..... 380 ALUMINUM DIE CASTING SILVER PAINT
- 2. BASE ASSY**..... #3 ZINC DIE CAST SILVER PAINT
- 3. KNOB..... BLACK GLASS REINFORCED THERMAL COMPOSITE ALLOY
- 4. BASE TRAY..... #3 ZINC DIE CAST SILVER PAINT
- 5. BUMPON..... BLACK RUBBER
- 6. SCREW..... 1/4-20 X 1/2 PHILLIPS HEAD, STEEL



*VISE HEAD ASSEMBLY INCLUDES ADJUSTING SCREW, GUIDE PINS, LEVER, LEVER ROD CAPS AND STEM.
**BASE ASSEMBLY INCLUDES HALF BALL HOUSINGS, RETAINER RING, SCREWS, STUD AND NUT.

PROPRIETARY AND CONFIDENTIAL
THE INFORMATION CONTAINED IN THIS DRAWING IS THE SOLE PROPERTY OF PANAVISE PRODUCTS INC. ANY REPRODUCTION IN PART OR AS A WHOLE WITHOUT THE WRITTEN PERMISSION OF PANAVISE PRODUCTS INC IS PROHIBITED.

UNLESS OTHERWISE SPECIFIED:		NAME	DATE	 7540 Colbert Drive, Reno, Nevada 89511-1225 Phone (775) 850-2900 Fax (775) 850-2929 TITLE: LOW PROFILE PANAVISE WORK CENTER SPEC SHEET
DIMENSIONS ARE IN INCHES		DRAWN		
TOLERANCES:		CHECKED		
FRACTIONAL ± 1/64		ENG APPR.		
ANGULAR: MACH ± 1/2° BEND ±		MFG APPR.		
TWO PLACE DECIMAL: ±.01		Q.A.		
THREE PLACE DECIMAL: ±.005		COMMENTS:		
INTERPRET GEOMETRIC TOLERANCING PER: ASME 14.5M -2009 MATERIAL				
NEXT ASSY	USED ON	FINISH		
APPLICATION		DO NOT SCALE DRAWING		
SIZE	DWG. NO.	REV		
B	302-SP	A		
SCALE: 1:2	WEIGHT:	SHEET 1 OF 1		

X-ON Electronics

Largest Supplier of Electrical and Electronic Components

Click to view similar products for [PCB Holders & Vices](#) category:

Click to view products by [Panavise](#) manufacturer:

Other Similar products are found below :

[510](#) [510-R](#) [318-30](#) [513-C](#) [318-18](#) [337](#) [670-A](#) [343](#) [344](#) [346](#) [352](#) [358](#) [366](#) [371](#) [376](#) [380](#) [385](#) [396](#) [502](#) [506](#) [507](#) [510](#) [511](#) [17010](#) [570](#) [328](#)
[346NM](#) [400](#) [437](#) [510](#) [856-03](#) [204](#) [239](#) [MC23780](#) [513-A](#) [510-A](#) [301](#) [303](#) [304](#) [305](#) [308](#) [311](#) [312](#) [797-14](#) [883-06](#) [845-246](#) [327-12](#) [324](#)
[727-04](#) [333](#)