

8 7 6 5 4 3 2 1

REVISIONS				
ZONE	REV.	DESCRIPTION	DATE	APPROVED
	A	RELEASE	JRM 2/11/21	

**ALL DIMENSIONS ARE FOR REFERENCE ONLY**  
 DIMENSIONS ARE IN INCHES [MILLIMETERS]  
 UNLESS OTHERWISE NOTED

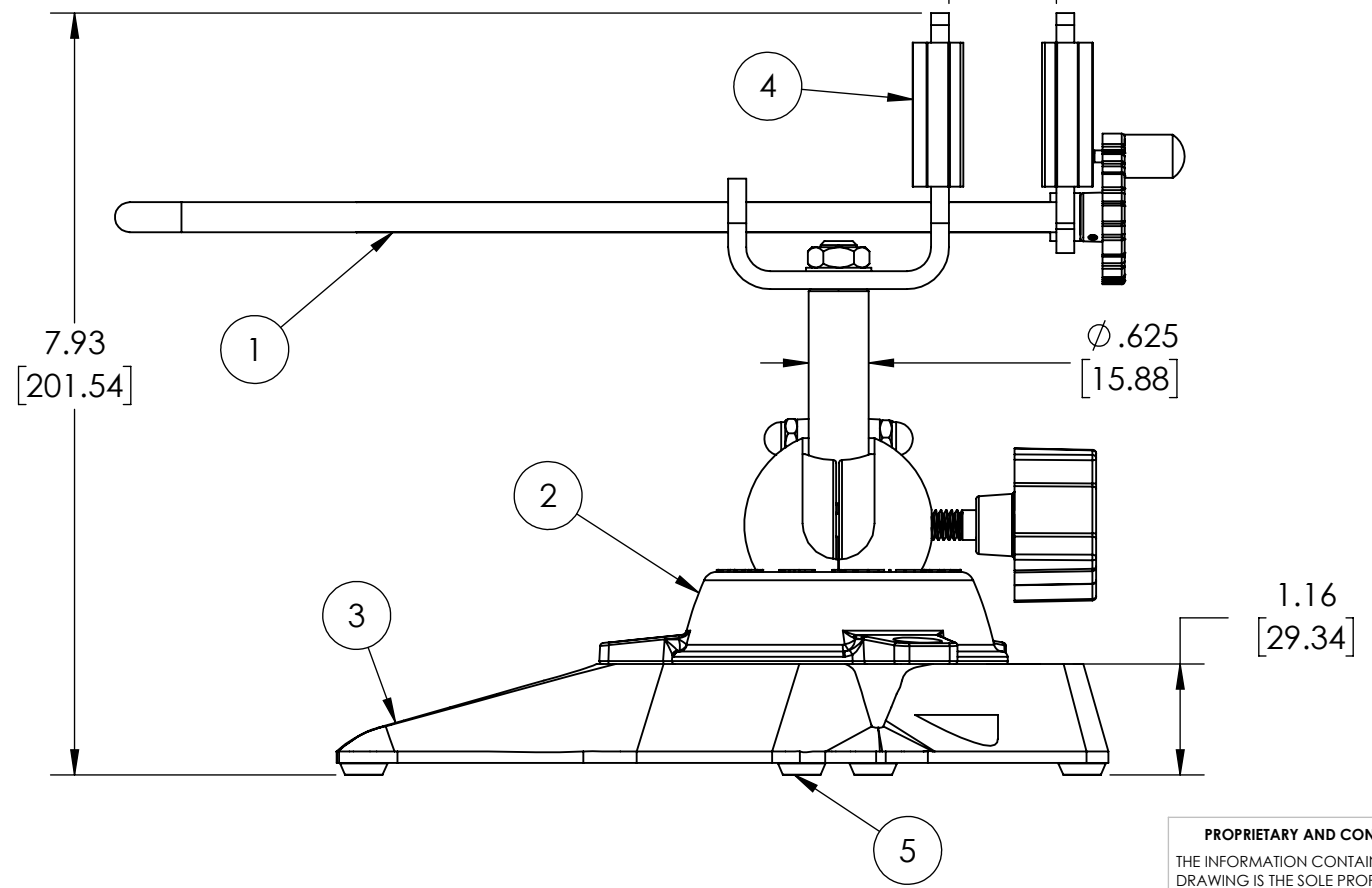
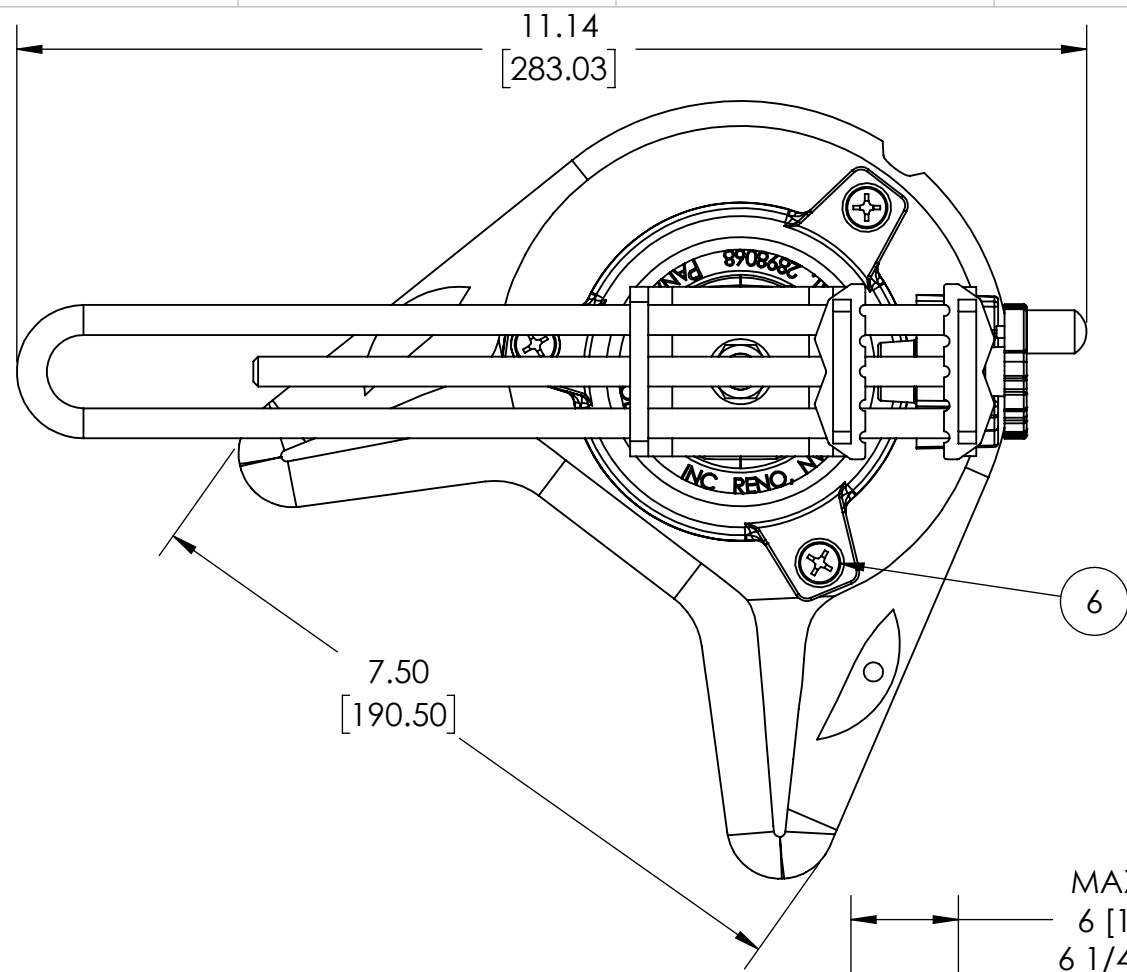
**SPECIFICATIONS**

- OVERALL HEIGHT..... 7.81 [198.29]
- ROTATION..... 360 DEGREES
- TURN..... 360 DEGREES
- TILT..... 90 DEGREES
- SHIPPING WEIGHT..... 8.40 LBS
- WISE OPENING W/JAW PADS..... 6 [152.4] MAXIMUM
- JAW OPENING W/O JAW PADS..... 6 1/4 [158.75] MAXIMUM
- JAW PAD WIDTH..... 1.5 [38.1]
- JAW PAD HEIGHT..... 1.875 [47.6]

**MATERIAL:**

- 1. VISE HEAD ASSY\*..... LOW CARBON STEEL, ZINC DIE CASTING
- 2. BASE..... #3 ZINC DIE CAST SILVER PAINT
- 3. WEIGHTED BASE..... CAST IRON, PAINTED BLACK
- 4. JAW PADS..... BLACK NEOPRENE
- 5. BUMPON..... BLACK RUBBER
- 6. SCREW..... 1/4-20 X 1/2 PHILLIPS HEAD, STEEL

\*VISE HEAD ASSEMBLY INCLUDES HEAD PLATE, HAIRPIN, ADJUSTING SCREW, STEM AND VISE HEAD.



MAXIMUM JAW OPENING  
 6 [152.4] W/O JAW PADS  
 6 1/4 [158.75] W/JAW PADS

**PROPRIETARY AND CONFIDENTIAL**  
 THE INFORMATION CONTAINED IN THIS DRAWING IS THE SOLE PROPERTY OF PANAVISE PRODUCTS INC. ANY REPRODUCTION IN PART OR AS A WHOLE WITHOUT THE WRITTEN PERMISSION OF PANAVISE PRODUCTS INC IS PROHIBITED.

UNLESS OTHERWISE SPECIFIED:		NAME	DATE	 7540 Colbert Drive, Reno, Nevada 89511-1225 Phone (775) 850-2900 Fax (775) 850-2929
DIMENSIONS ARE IN INCHES		DRAWN		
TOLERANCES:		CHECKED		
FRACTIONAL ± 1/64		ENG APPR.		
ANGULAR:		MFG APPR.		
MACH ± 1/2° BEND ±		Q.A.		
TWO PLACE DECIMAL: ±.01		COMMENTS:		
THREE PLACE DECIMAL: ±.005				
INTERPRET GEOMETRIC TOLERANCING PER: ASME 14.5M -2009				
MATERIAL				
NEXT ASSY	USED ON			
FINISH				
APPLICATION		DO NOT SCALE DRAWING		

 7540 Colbert Drive, Reno, Nevada 89511-1225 Phone (775) 850-2900 Fax (775) 850-2929		
TITLE: PORTABLE GENERAL PURPOSE VISE		
SIZE <b>B</b>	DWG. NO. 309-SP	REV <b>A</b>
SCALE: 1:2	WEIGHT:	SHEET 1 OF 1

8 7 6 5 4 3 2 1

## X-ON Electronics

Largest Supplier of Electrical and Electronic Components

*Click to view similar products for [PCB Holders & Vices](#) category:*

*Click to view products by [Panavise](#) manufacturer:*

Other Similar products are found below :

[510](#) [510-R](#) [318-30](#) [513-C](#) [318-18](#) [337](#) [670-A](#) [343](#) [344](#) [346](#) [352](#) [358](#) [366](#) [371](#) [376](#) [380](#) [385](#) [396](#) [502](#) [506](#) [507](#) [510](#) [511](#) [17010](#) [570](#) [328](#)  
[346NM](#) [400](#) [437](#) [510](#) [856-03](#) [204](#) [239](#) [MC23780](#) [513-A](#) [510-A](#) [301](#) [303](#) [304](#) [305](#) [308](#) [311](#) [312](#) [797-14](#) [883-06](#) [845-246](#) [327-12](#) [324](#)  
[727-04](#) [333](#)