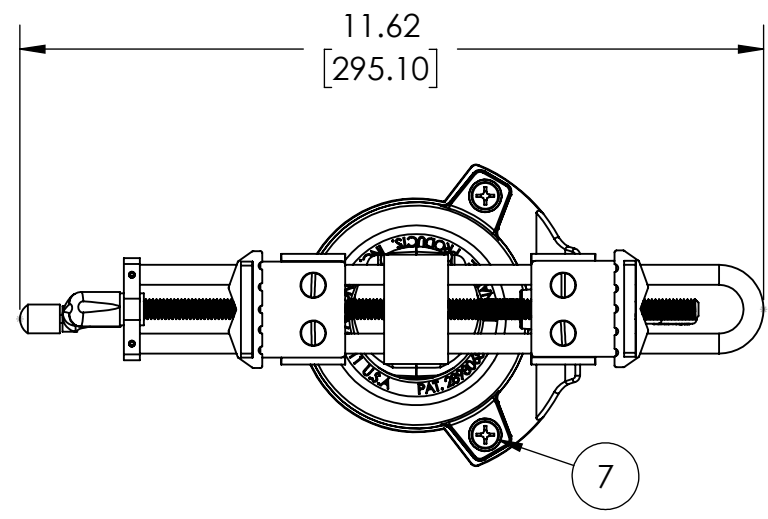


REVISIONS				
ZONE	REV.	DESCRIPTION	DATE	APPROVED
	A	RELEASE	JRM 2/11/21	



ALL DIMENSIONS ARE FOR REFERENCE ONLY
 DIMENSIONS ARE IN INCHES [MILLIMETERS]
 UNLESS OTHERWISE NOTED

SPECIFICATIONS

- OVERALL HEIGHT..... 17.02 [432.81]
- ROTATION..... 360 DEGREES
- TURN..... 360 DEGREES
- TILT..... 90 DEGREES
- SHIPPING WEIGHT..... 6.75 LBS
- VICE OPENING..... 9 1/4 [234.95] MAXIMUM
- JAW PAD WIDTH..... 1.5 [38.10]
- JAW PAD HEIGHT..... 1.875 [47.63]

MATERIAL:

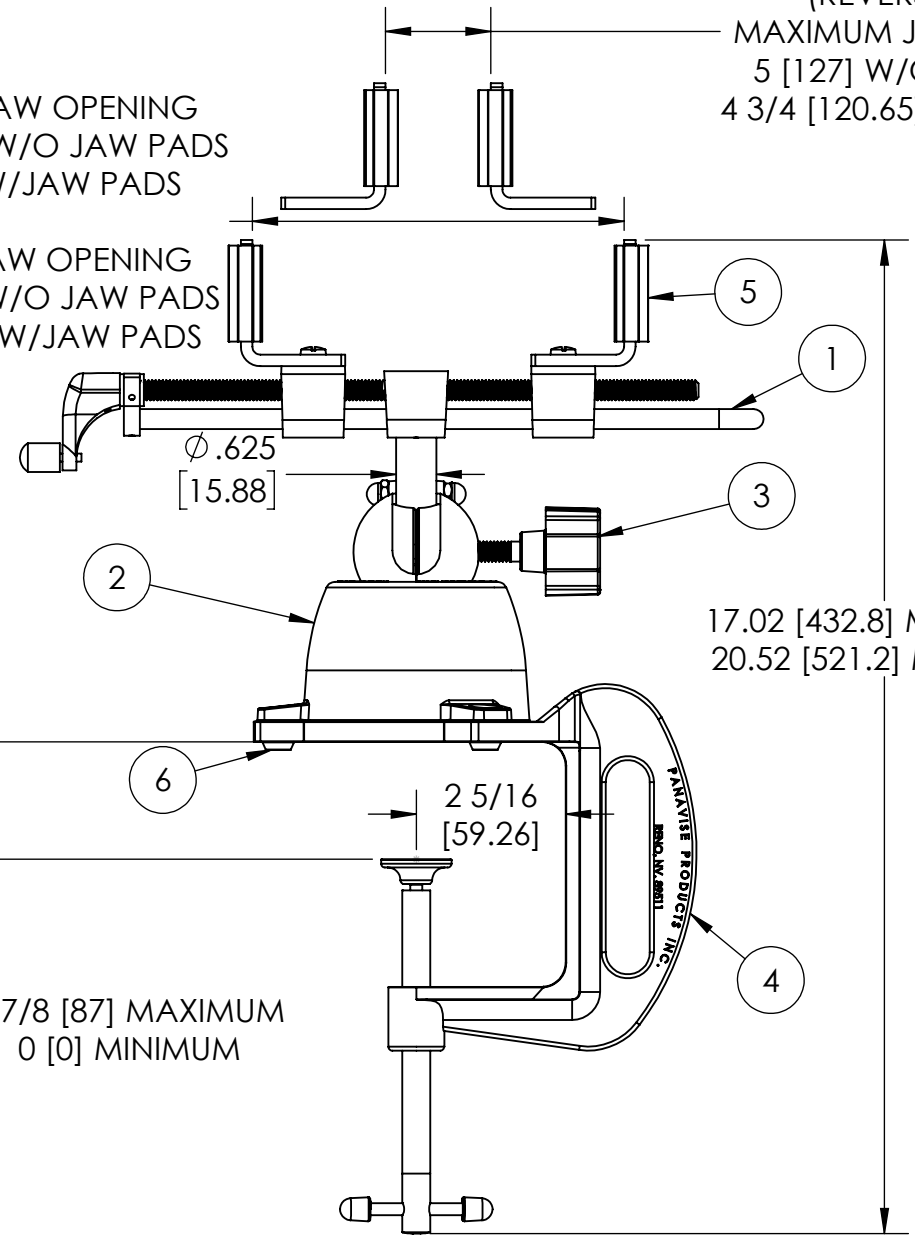
- 1. VISE HEAD ASSY*..... LOW CARBON STEEL, ZINC DIE CASTING
- 2. BASE ASSY**..... #3 ZINC DIE CAST SILVER PAINT
- 3. KNOB..... BLACK GLASS REINFORCED THERMAL COMPOSITE ALLOY
- 4. BASE CLAMP***..... #3 ZINC DIE CAST SILVER PAINT
- 5. JAW PADS..... BLACK NEOPRENE
- 6. BUMPON..... BLACK RUBBER
- 7. SCREW..... 1/4-20 X 1/2 PHILLIPS HEAD, STEEL

*VISE HEAD ASSEMBLY INCLUDES ADJUSTING SCREW, GUIDE ROD, GUIDE BLOCKS AND CRANK HANDLE.
 **BASE ASSEMBLY INCLUDES HALF BALL HOUSINGS, RETAINER RING, SCREWS, STUD AND NUT.
 ***BASE CLAMP INCLUDES LEVER ROD AND LEVELING BUTTON.

OPTIONAL POSITION (REVERSE JAWS)
 MAXIMUM JAW OPENING
 5 [127] W/O JAW PADS
 4 3/4 [120.65] W/JAW PADS

MAXIMUM JAW OPENING
 9 1/4 [234.95] W/O JAW PADS
 9 [228.60] W/JAW PADS

MINIMUM JAW OPENING
 3 3/4 [95.25] W/O JAW PADS
 3 1/2 [88.90] W/JAW PADS



17.02 [432.8] MAXIMUM
 20.52 [521.2] MINIMUM

3 7/8 [87] MAXIMUM
 0 [0] MINIMUM

PROPRIETARY AND CONFIDENTIAL
 THE INFORMATION CONTAINED IN THIS DRAWING IS THE SOLE PROPERTY OF PANAVISE PRODUCTS INC. ANY REPRODUCTION IN PART OR AS A WHOLE WITHOUT THE WRITTEN PERMISSION OF PANAVISE PRODUCTS INC IS PROHIBITED.

UNLESS OTHERWISE SPECIFIED:		NAME	DATE	<p>7540 Colbert Drive, Reno, Nevada 89511-1225 Phone (775) 850-2900 Fax (775) 850-2929</p>
DIMENSIONS ARE IN INCHES		DRAWN		
TOLERANCES:		CHECKED		
FRACTIONAL ± 1/64		ENG APPR.		
ANGULAR:		MFG APPR.		
MACH ± 1/2° BEND ±		Q.A.		
TWO PLACE DECIMAL: ± .01		COMMENTS:		
THREE PLACE DECIMAL: ± .005				
INTERPRET GEOMETRIC TOLERANCING PER: ASME 14.5M -2009				TITLE: HD CLAMPING MULTIPURPOSE VISE SPEC SHEET
MATERIAL				SIZE DWG. NO. REV B 314-SP A
NEXT ASSY	USED ON			SCALE: 1:3 WEIGHT: SHEET 1 OF 1
APPLICATION		DO NOT SCALE DRAWING		

X-ON Electronics

Largest Supplier of Electrical and Electronic Components

Click to view similar products for [PCB Holders & Vices](#) category:

Click to view products by [Panavise](#) manufacturer:

Other Similar products are found below :

[510](#) [510-R](#) [318-30](#) [513-C](#) [T0051502699N](#) [318-18](#) [512](#) [337](#) [670-A](#) [343](#) [344](#) [346](#) [352](#) [353](#) [358](#) [366](#) [371](#) [376](#) [380](#) [385](#) [396](#) [502](#) [506](#) [507](#)
[510](#) [511](#) [513](#) [17010](#) [561](#) [570](#) [328](#) [346NM](#) [400](#) [437](#) [510](#) [856-03](#) [204](#) [239](#) [MC24588](#) [MC23780](#) [513-A](#) [510-A](#) [301](#) [303](#) [304](#) [305](#) [308](#) [311](#)
[312](#) [797-14](#)