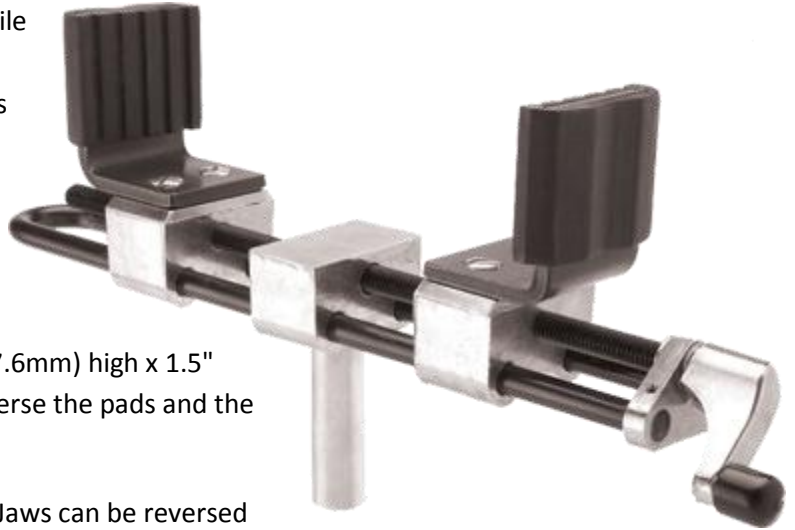


Model: 376 Self-Centering, Extra Wide Opening Head

Hold larger, heavier objects with this versatile Vise Head. By centering weight, this Vise Head holds even larger and heavier objects with ease. Jaws open a full 9".

- Self-centering, extra-wide opening jaws open a full 9" (228.6mm) and hold heavy objects by centering weight over the base
- Ribbed, neoprene jaw pads are 1.875" (47.6mm) high x 1.5" (38.1mm) wide and provide a sure grip; reverse the pads and the wide "V" holds round or elliptical objects
- "Double action" jaws open/close quickly. Jaws can be reversed to provide 0" closure
- Black oxide coating reduces glare and promotes eye comfort
- Compatible with all 300 series Bases
- Head Length: 11.5" (292.1mm)
- Height (shaft to top of jaw pads): 5.25" (133.3mm), Weight: 1.9 lbs. (0.9kg)



X-ON Electronics

Largest Supplier of Electrical and Electronic Components

Click to view similar products for [PCB Holders & Vices](#) category:

Click to view products by [Panavise](#) manufacturer:

Other Similar products are found below :

[510](#) [510-R](#) [318-30](#) [513-C](#) [T0051502699N](#) [318-18](#) [346NM](#) [400](#) [510](#) [204](#) [239](#) [MC24588](#) [MC23780](#) [512](#) [513-A](#) [510-A](#) [301](#) [303](#) [305](#) [308](#)
[311](#) [312](#) [797-14](#) [845-246](#) [400MDT](#) [324](#) [727-04](#) [333](#) [670-A](#) [343](#) [344](#) [346](#) [352](#) [353](#) [358](#) [366](#) [371](#) [376](#) [380](#) [385](#) [396](#) [MC23796](#) [502](#) [506](#)
[507](#) [510](#) [511](#) [513](#) [17010](#) [570](#)