

# Solid State LED Lighting System

## specifications

The lighting system shall utilize solid state light-emitting diode (LED) technology to provide task/ accent lighting to augment ambient light conditions. The lighting system shall be a 24 VDC solution that provides a light color comparable to 6500 kelvins. The luminaire shall be UL listed. Mounting devices shall be available in screw-fastened and magnetic-base configurations, both having a swivel adjustment range of 110 degrees.



## technical information

**Fixture dimensions:** Length = 12.5"; Width = 0.75"; Height = 0.75"

**Mounted fixture dimensions:** Length = 12.5"; Width = 0.875"; Height = 1.19" (with LEDASM1), 1.31" (with LEDAMM)

**Power consumption:** 6 Watts

**Light color:** 6500 kelvins

**Light-emitting angle:** 82 degrees

**Certifications:** UL2108 listed, cULus

**RoHS compliant:** Yes

**Halogen free:** Yes

## key features and benefits

**Compact size** Slim linear fixture requires minimal space in the application environment for increased mounting options

**Optimal task lighting** A color temperature of 6500 kelvins simulates bright "daylight" and improved color representation

**Rugged design** Impact-resistant polycarbonate optic and anodized aluminum construction ensures product longevity; LED technology eliminates the need for fragile incandescent and fluorescent products

**Solid state electronics** No electro-magnetic interference (EMI) associated with fluorescent products; compatible with high-performance electronic equipment

**Energy efficient** Consumes less power per lumen than comparable incandescent or fluorescent products

**Flexible mounting configurations** Mounts are designed to snap into place anywhere along the length of the fixture housing, and swivel 110 degrees to adjust direction of light. Sold separately from the fixture, mount kits are available in screw-fastened or magnetic-base configurations

## applications

The solid state light-emitting diode (LED) technology light system shall provide task/accent lighting to augment ambient lighting conditions, required in industrial enclosures and on-machine systems. This lighting shall be beneficial for activities such as maintenance, asset identification, and physical connections.

### Solid State LED Light

**12.5" LED strip light:** LEDS12

### Related Products

**Adjustable screw-fastened mount:** LEDASM1

**Adjustable magnetic mount:** LEDAMM

**Door switch:** LEDDS

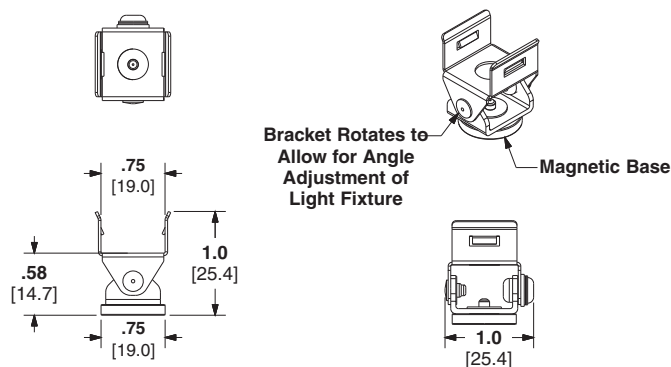
**DIN-mount power supply:** LEDCPS4

# Solid State LED Lighting System

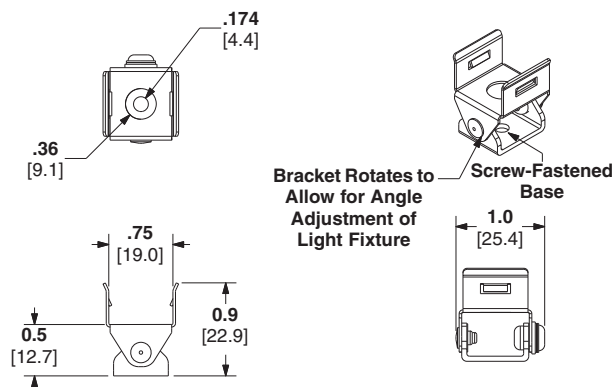
## Product Information

Part Number	Description
<b>LEDS12</b>	LED strip light; 12.5" length with 6' tinned leads.
<b>LEDCPS4</b>	Class 2 power supply for DIN-mounted rails; 40 W; 100 – 240 VAC input to 24 VDC output; capable of powering up to four strip lights.
<b>LEDDS</b>	Panel or surface mount door switch, industrial grade; mounts via included ring nuts or customer-supplied fasteners; capable of switching up to four strip lights.
<b>LEDAMM</b>	Adjustable magnetic mount for LED strip light; 7 lb. (reference) magnetic pull force per mount; 110 degree swivel range; kit of two.
<b>LEDASM1</b>	Adjustable screw-fastened mount for LED strip light; recommended #6 fastener not included; 110 degree swivel range; kit of two.

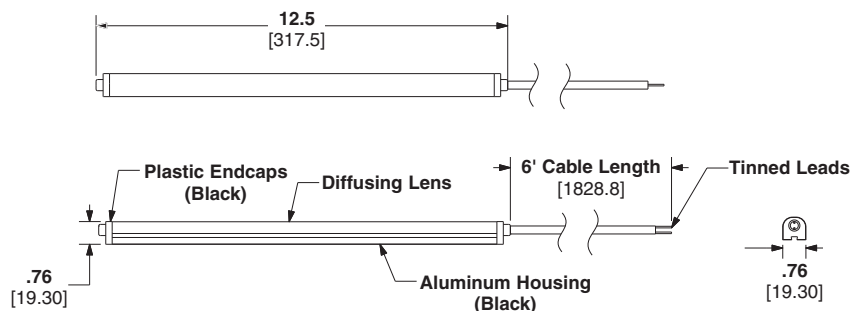
### (LEDAMM) Adjustable Magnetic Mounting Brackets for LED Light Strip



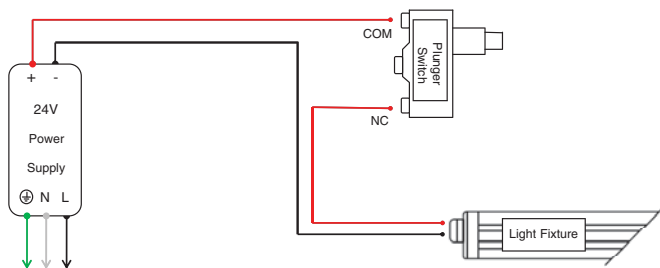
### (LEDASM1) Adjustable Screw Mount Brackets for LED Light Strip



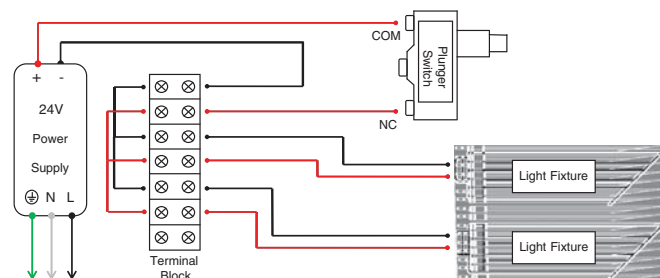
### LED Light Strip (LEDS12)



### Single Light Configuration



### Multiple Light Configuration



Dimensions are in inches. [Dimensions in brackets are metric].

### WORLDWIDE SUBSIDIARIES AND SALES OFFICES

PANDUIT CANADA  
Markham, Ontario  
cs-cdn@panduit.com  
Phone: 800.777.3300

PANDUIT EUROPE LTD.  
London, UK  
cs-emea@panduit.com  
Phone: 44.20.8601.7200

PANDUIT SINGAPORE PTE. LTD.  
Republic of Singapore  
cs-ap@panduit.com  
Phone: 65.6305.7575

PANDUIT JAPAN  
Tokyo, Japan  
cs-japan@panduit.com  
Phone: 81.3.6863.6000

PANDUIT LATIN AMERICA  
Guadalajara, Mexico  
cs-la@panduit.com  
Phone: 52.33.3777.6000

PANDUIT AUSTRALIA PTY. LTD.  
Victoria, Australia  
cs-aus@panduit.com  
Phone: 61.3.9794.9020

For a copy of Panduit product warranties, log on to [www.panduit.com/warranty](http://www.panduit.com/warranty)

For more information

Visit us at [www.panduit.com](http://www.panduit.com)

Contact Customer Service by email: [cs@panduit.com](mailto:cs@panduit.com)  
or by phone: 800.777.3300 and reference RKSP83

**PANDUIT**

© 2012 Panduit Corp.  
ALL RIGHTS RESERVED.  
WW-RKSP83  
3/2012

## X-ON Electronics

Largest Supplier of Electrical and Electronic Components

*Click to view similar products for [LED Lighting Fixture Accessories](#) category:*

*Click to view products by [Panduit](#) manufacturer:*

Other Similar products are found below :

[1301120110](#) [1301120137](#) [1301130007](#) [1301120130](#) [1301860719](#) [1301120131](#) [1301120144](#) [1301120196](#) [1-2311664-1](#) [XVBC081](#) [2702492](#)  
[2213871-2](#) [2306132-1](#) [2213805-1](#) [1-2306133-1](#) [2702527](#) [2315539-1](#) [1-2306132-1](#) [2213871-1](#) [1-2306128-1](#) [2306128-1](#) [2213996-1](#) [1-](#)  
[2306129-1](#) [1-2213871-2](#) [1-2213871-1](#) [2306130-1](#) [2306133-1](#) [1-2315539-1](#) [2306129-1](#) [1-2213805-1](#) [180997-0002](#) [180997-0001](#) [1-2213996-](#)  
[1](#) [4803](#) [4821](#) [2702312](#) [4772](#) [4773](#) [4774](#) [4775](#) [5012](#) [5014](#) [LEDASM1](#) [LEDAMM](#) [LEDCPS4](#) [SSP-CN2CN](#) [SSP-MTCV1](#) [1301120097](#)  
[1301120099](#) [1301120101](#)