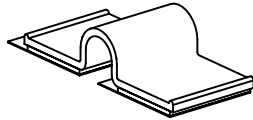
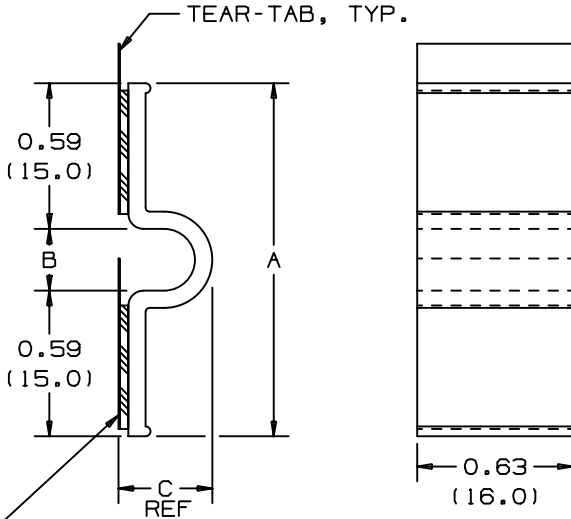


THIS COPY IS PROVIDED ON A RESTRICTED BASIS AND IS NOT TO BE USED IN ANY WAY DETRIMENTAL TO THE INTERESTS OF PANDUIT CORP.



A2C25-A  
ACTUAL SIZE



ADHESIVE TAPE--PRESSURE SENSITIVE FOAM .040 (1.02) THICK WITH RUBBER ADHESIVE AND PROTECTIVE LINER, TWO PLACES.  
\*\*MOUNT IS DESIGNED TO SUPPORT LISTED MAXIMUM STATIC LOAD ON A CLEAN, DRY, SMOOTH, GREASE-FREE SURFACE.

| PANDUIT PART NUMBER* | NOMINAL CABLE O.D. in./ (mm) | A in. (mm)  | B in. (mm)  | C in. (mm)  | STATIC LOAD** lbs./ (g) | WEIGHT 100 pcs. lbs./ (g) |
|----------------------|------------------------------|-------------|-------------|-------------|-------------------------|---------------------------|
| A2C12-A              | 0.120 (3.0)                  | 1.30 (33.0) | 0.12 (3.0)  | 0.23 (5.8)  | 0.37 (168.6g)           | 0.28 (127)                |
| A2C25-A              | 0.250 (6.4)                  | 1.43 (36.3) | 0.25 (6.4)  | 0.36 (9.1)  | 0.37 (168.6g)           | 0.29 (132)                |
| A2C38-A              | 0.375 (9.5)                  | 1.56 (39.6) | 0.38 (9.7)  | 0.49 (12.4) | 0.37 (168.6g)           | 0.34 (154)                |
| A2C50-A              | 0.500 (12.7)                 | 1.72 (43.7) | 0.50 (12.7) | 0.61 (15.5) | 0.37 (168.6g)           | 0.39 (177)                |

NO WARRANTY, EXPRESSED OR IMPLIED, IS MADE BY PANDUIT WITH RESPECT TO ADHESIVE BOND PERFORMANCE. AMONG OTHER THINGS, THE CONDITIONS UNDER WHICH THESE MOUNTS MAY BE APPLIED AND/OR THE SURFACE TO WHICH THEY MAY BE APPLIED ARE BEYOND PANDUIT'S CONTROL.

TO APPLY MOUNT

- 1) REMOVE PROTECTIVE LINER.
- 2) PLACE IN DESIRED LOCATION.
- 3) APPLY PRESSURE TO MOUNT.

NOTES:

- \*1. SEE CURRENT PRICE SHEET FOR PART NUMBER SUFFIX DESIGNATION FOR PACKAGE SIZE.

(DIMENSIONS IN PARENTHESES ARE IN METRIC.)

CAD FILENAME/LAYERS

G00432BB\_PB\_A2CCLIPS\_02

**PANDUIT**

CORP. TINLEY PARK, ILLINOIS

A2C-A  
ADHESIVE CLIP

UNLESS OTHERWISE SPECIFIED,  
DIMENSIONAL TOLERANCES ARE:  
(.X) ±0.1(2.5) (.XXX) ±0.020(.5)  
(.XX) ±0.05(1.3) ANGLES ±5°

UNLESS OTHERWISE SPECIFIED,  
ALL DIMENSIONS ARE GIVEN  
IN INCHES, THIRD ANGLE PROJECTION.

DRAWN BY

RJKO

MAT'L:

GRAY  
PVC

SCALE

NONE

DATE

12-2-96

DRAWING NO.

G00432BB

DWG

A  
SIZE

CHK'D

| REV | DATE    | BY   | CHK | DESCRIPTION  | ECN      | R | CUST | SUP |
|-----|---------|------|-----|--|----------|---|------|-----|
| 2   | 5/10/02 | LGG  |     | CHG STATIC LOAD. WAS .29(132)                            | GB0432BB | 2 |      |     |
| 1   | 6/15/01 | LGG  |     | ADDED "REF" TO DIM                                       | GB0432BB | 1 |      |     |
| R   | 12-2-96 | RJKO |     | INITIAL RELEASE. REPLACED CUSTOMER DRAWING NO. 34025-10. | GB0432BB | R |      |     |

## X-ON Electronics

Largest Supplier of Electrical and Electronic Components

*Click to view similar products for [Cable Mounting & Accessories](#) category:*

*Click to view products by [Panduit](#) manufacturer:*

Other Similar products are found below :

[582603-1](#) [009333-000](#) [727844N003](#) [747](#) [809090N001](#) [843188-000](#) [8666](#) [967279N002](#) [DB-11](#) [1300840039](#) [1300900096](#) [1301800416](#)  
[1302264450](#) [1300830184](#) [1300830729](#) [1300900039](#) [1301580036](#) [1301850553](#) [1301860939](#) [1302000074](#) [1302261315](#) [1302264431](#)  
[1337706-2](#) [APA18-AK](#) [1724](#) [1-787307-1](#) [185491N001](#) [1868](#) [HP-6N](#) [C-202-C](#) [202C221-13-0](#) [CA7308-000](#) [8S23-75FR-CS8184](#) [2684](#) [9648](#)  
[3089](#) [988382-000](#) [A72821-000](#) [AA401](#) [173506-000](#) [1823](#) [202C292-13-0](#) [202C302-13-0](#) [2109](#) [300625](#) [3330](#) [3412](#) [356247-1](#) [M9142](#)  
[M9143](#)