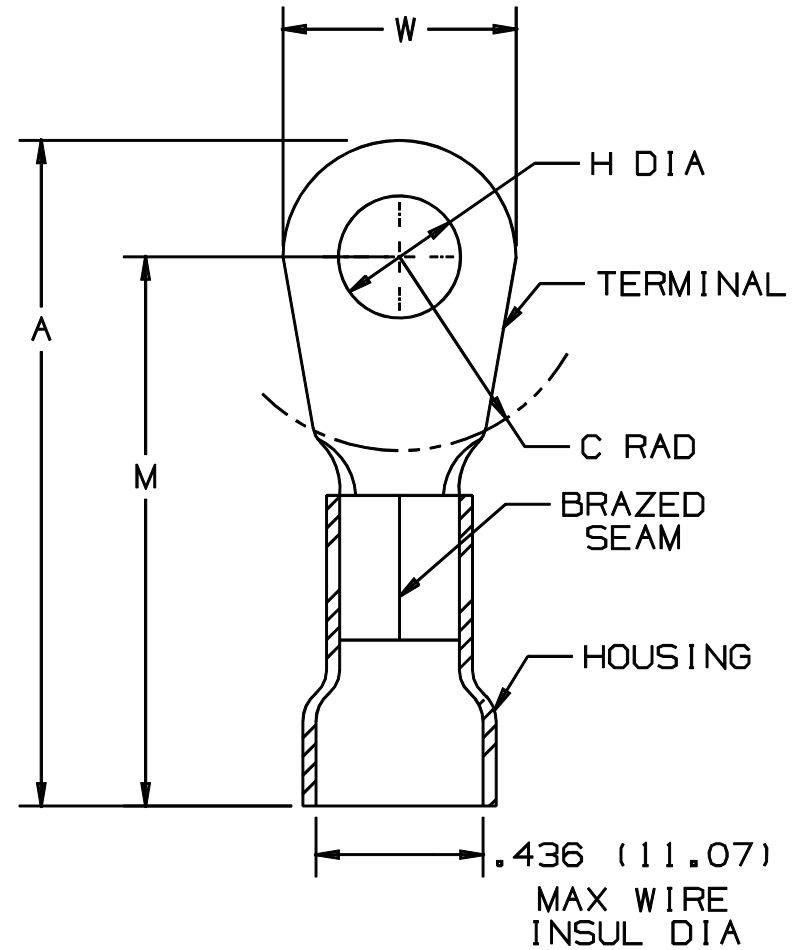


THIS COPY IS PROVIDED ON A RESTRICTED BASIS AND IS NOT TO BE USED IN ANY WAY DETRIMENTAL TO THE INTERESTS OF PANDUIT CORP.

PANDUIT PART NUMBER	STUD SIZE	DIMENSIONS in.				
		A ±.03	W ±.01	C ±.02	M ±.03	H ±.01
PV6-8RX	#8	1.61 (40.89)	.47 (11.94)	.43 (10.92)	1.37 (34.8)	.17 (4.32)
PV6-10RX	#10	1.61 (40.89)	.47 (11.94)	.43 (10.92)	1.37 (34.8)	.20 (5.08)
PV6-14RX	1/4"	1.61 (40.89)	.47 (11.94)	.43 (10.92)	1.37 (34.8)	.27 (6.86)
PV6-56RX	5/16"	1.73 (43.94)	.62 (15.75)	.51 (12.95)	1.42 (36.07)	.33 (8.38)
PV6-38RX	3/8"	1.73 (43.94)	.62 (15.75)	.53 (13.46)	1.42 (36.07)	.39 (9.91)
PV6-12RX	1/2"	1.83 (46.48)	.82 (20.83)	.53 (13.46)	1.42 (36.07)	.52 (13.21)

NOTES:

- UL LISTED FOR:
 - 600V MAX VOLTAGE RATING
 - 221° F (105° C) MAX TEMP RATING
 - #6 AWG STRANDED COPPER WIRE
- PACKAGE QTY: STD. PKG. -E=20
BULK PKG. -T=200
- MATERIAL:
 - STAMPING - .045" (1.14) THK COPPER, TIN PLATED
 - HOUSING - VINYL, BLUE
- DIMENSIONS IN BRACKETS ARE IN MILLIMETERS
- INSTALLATION TOOL: CT-720
- WIRE STRIP LENGTH: 7/16 ^{+1/32} .0 (11.1 ⁺⁸ .0)




 LISTED
 587H
 E52164

A41222_04

							PANDUIT CORP. TINLEY PARK, ILLINOIS	
04	1/01	KMD		CAD FILE SPEC. WAS N41222AA_PCD_03				#6 BARREL VINYL INSULATED RING TONGUE .436 (11.07) MAX. WIRE INSUL. DIAMETER
03	4-95	MS		UPDATED NOTES AND DIMENSIONS	03206			
02	7-88	DW		REDRAWN WITH REVISIONS				
REV	DATE	BY	CHK	DESCRIPTION	ECN #	APP	PM	DRAWN BY: DAW Ck'D: SCALE: NONE DRAWING NO.: A41222

X-ON Electronics

Largest Supplier of Electrical and Electronic Components

Click to view similar products for [Terminals](#) category:

Click to view products by [Panduit](#) manufacturer:

Other Similar products are found below :

[HT-13-10](#) [71M-250-32-NB](#) [01-2065-1-0216](#) [00581P0075](#) [M10-10RX](#) [M10BCK](#) [60205-1](#) [604200-1](#) [60598-1-CUT-TAPE](#) [60617-1-C](#) [60873-1](#) [M14-516R/SK](#) [M14-6RSX](#) [M18-10FLX](#) [M18-8FBX](#) [M18-8R/LX](#) [M18BCK](#) [61314-6-C](#) [61-S](#) [61-SN-A](#) [62-NBM-A](#) [63-S](#) [640179-1](#) [640917-2-CUT-TAPE](#) [6501550002](#) [66107-2-C](#) [696683-1](#) [696834-1](#) [696861-1](#) [696931-1](#) [696999-1](#) [M8-516RK](#) [M86700006](#) [MA250DMFMX-A](#) [701-2007](#) [701-2307](#) [701-7761-03](#) [70F-110-32-PB](#) [718-N-A](#) [71M-187-20-NBL](#) [71M-250-32-NBL](#) [72F-187-20-NBL](#) [72M-250-32-NBL](#) [7310](#) [73F-250-32](#) [73F-250-32-NBL](#) [73F-250-32-NL](#) [F14-10C](#) [F-1M](#) [751-250](#)