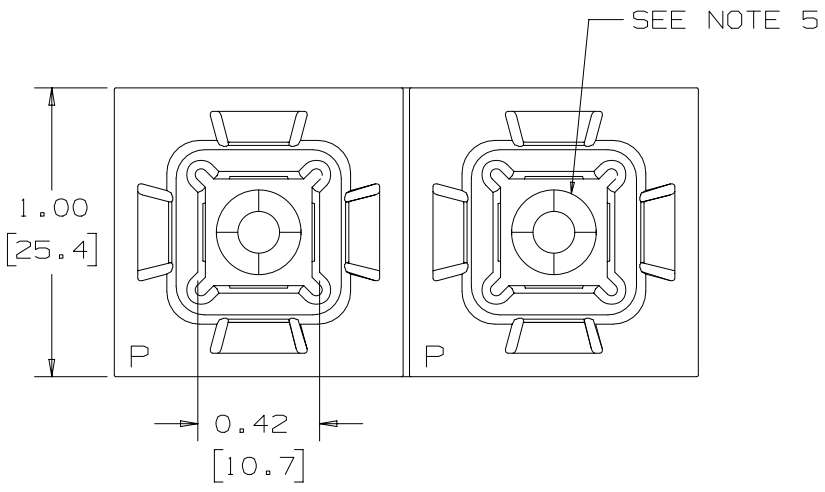


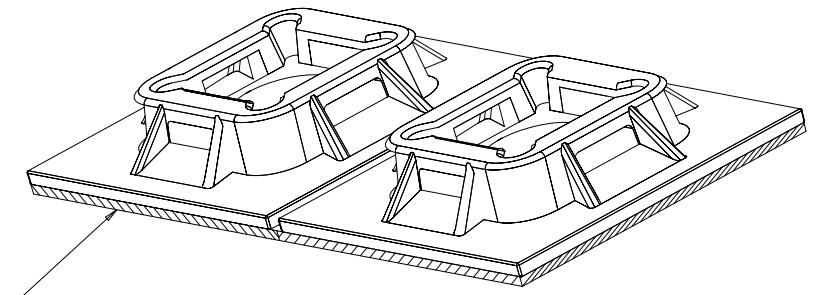
2

1

THIS COPY IS PROVIDED ON A RESTRICTED BASIS AND IS NOT TO BE USED IN ANY WAY DETRIMENTAL TO THE INTERESTS OF PANDUIT CORP.



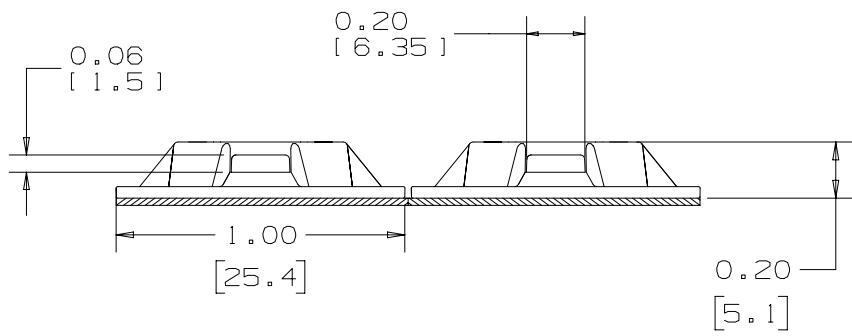
PANDUIT PART NUMBER*	WEIGHT lbs/100 pcs (g)/100 pcs	USE WITH ANY OF THESE CABLE TIE CROSS-SECTIONS
ABM100-AT	0.26 (119)	M, I, S



NO WARRANTY, EXPRESSED OR IMPLIED, IS MADE BY PANDUIT WITH RESPECT TO ADHESIVE BOND PERFORMANCE. AMONG OTHER THINGS, THE CONDITIONS UNDER WHICH THESE MOUNTS MAY BE APPLIED AND / OR THE SURFACE TO WHICH THEY MAY BE APPLIED ARE BEYOND PANDUIT'S CONTROL.

ADHESIVE BACKING: ACRYLIC BASED ADHESIVE PRESSURE SENSITIVE FOAM TAPE 0.04 (1.0) THICK WITH A PROTECTIVE LINER. MOUNT IS DESIGNED TO SUPPORT 0.50 lbs (227g) MAX. WEIGHT ON A CLEAN DRY SMOOTH SURFACE.

- NOTES:
- SEE www.panduit.com FOR CURRENT PART NUMBER SUFFIX DESIGNATION AND FOR PACKAGE SIZE AND PART COLOR.
 - THE '-AT' SUFFIX REPRESENTS ACRYLIC ADHESIVE.
 - MOUNT HAS A MAXIMUM CONTINUOUS OPERATING TEMPERATURE OF 180°F (82°C).
 - SUPPLIED IN STRIPS OF TWO.
 - HOLE FOR STANDARD S6 FLAT HEAD SCREW.



REV	DATE	BY	CHK	APR	DESCRIPTION	ECN
07	10/22/14	BWG	MPH	JADE	REMOVED RAISED PANDUIT MARK FROM PART, UPDATED NOTE 1 AND TITLE BORDER AND CREATED NEW CAD ID, WAS G00033BB_DC_ABM100AT_06	GB0033BB/07

TITLE ABM100-AT - FOUR-WAY MOUNT		CUSTOMER DRAWING	
ITEM REVISION NAME 10B0150K/00		PANDUIT	
DATASET FILE NAME 10B0150K_DC/00 GB0033BB_REV07			
UNLESS OTHERWISE SPECIFIED, DIMENSIONAL TOLERANCES ARE: IN [mm]		MATERIAL: NYLON 6/6	
.x ± 0.05 [1.3] .xxx ± 0.010 [0.25] .xx ± 0.02 [.02] ANGLES ± 5°		DRAWING NUMBER: GB0033BB	
THIRD ANGLE PROJECTION		DRAWING NUMBER: GB0033BB	
DRAWN BY MJK	DATE 12/09/92	CHK	SCALE NONE
SHT 1 OF 1		SIZE A	

2

1

X-ON Electronics

Largest Supplier of Electrical and Electronic Components

Click to view similar products for [Cable Tie Mounts](#) category:

Click to view products by [Panduit](#) manufacturer:

Other Similar products are found below :

[3-350087-0](#) [CTB75X75BKA-C](#) [561-EZAB580T](#) [561-EZS375B40](#) [561-TA250125](#) [08443-0](#) [10035-0](#) [561-TA00600](#) [1689174-1](#) [08445-0](#)
[10351-0](#) [561-TA250125B](#) [20015-0](#) [10350-0](#) [10029-0](#) [08484-0](#) [08446-0](#) [08318-0](#) [PAM075NY-A-C](#) [MTH1-3](#) [10044](#) [151-01802](#) [151-11319](#)
[151-11819](#) [PLWP1SB-D](#) [PLWP1M-C](#) [PLWP2SA-D](#) [PLWP2SB-D](#) [PLWP2S-C](#) [PLWP1S-D](#) [PLWP1M-D](#) [TA1S8-C](#) [ABM3H-A-L](#) [ABM3H-](#)
[AT-T0](#) [EMS-A-C0](#) [EMSK3-1-3-0](#) [10079](#) [151-10930](#) [151-10920](#) [3590](#) [151-28320](#) [151-28349](#) [151-28530](#) [151-10914](#) [151-10904](#) [151-10915](#)
[151-10916](#) [151-10906](#) [115-06960](#) [06297](#)