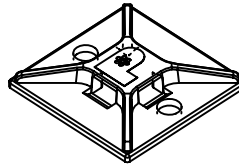
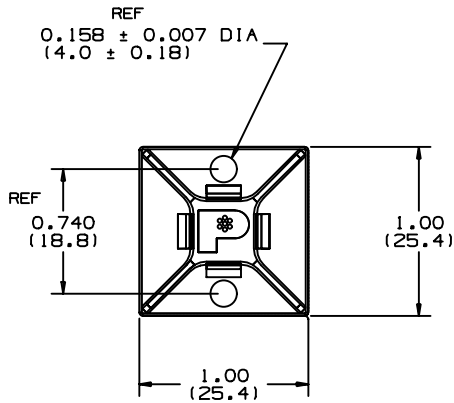


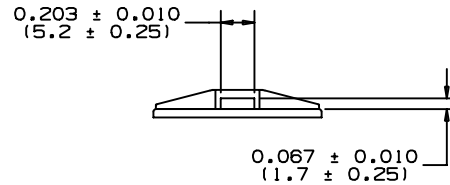
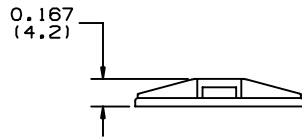
THIS COPY IS PROVIDED ON A RESTRICTED BASIS AND IS NOT TO BE USED IN ANY WAY DETRIMENTAL TO THE INTERESTS OF PANDUIT CORP.

* PANDUIT PART NO.	REC'M FASTENER	USE WITH THESE CABLE TIE CROSS SECTIONS	WEIGHT lbs(g)/100 PCS.	MATERIAL
ABM2S-S6	#6 (M3) SCREW	MINIATURE INTERMEDIATE STANDARD	0.22 (102.0)	ABS



NOTES:

- *1. SEE CURRENT PRICE SHEET FOR PART NUMBER SUFFIX DESIGNATIONS FOR PACKAGE SIZE AND PART COLOR.



DIMENSIONS IN BRACKETS ARE METRIC [mm]

CAD FILENAME/LAYERS GB0239BX_PB_ABM2S-S6-69_04

PANDUIT

CORP. TINLEY PARK, ILLINOIS

ABM2S-S6
4 WAY CABLE TIE MOUNT

UNLESS OTHERWISE SPECIFIED,
DIMENSIONAL TOLERANCES ARE:
(.X) ±0.05 (1.3) (.XXX) ±0.010 (0.25)
(.XX) ±0.02 (0.5) ANGLES ± 5°

UNLESS OTHERWISE SPECIFIED,
ALL DIMENSIONS ARE GIVEN
IN INCHES, THIRD ANGLE PROJECTION.

DRAWN BY C JG

MAT'L:

SCALE FULL

DATE 5-14-96

SEE TABLE

DRAWING NO.

GB0239BX

DWG
A
SIZE

REV	DATE	BY	CHK	DESCRIPTION	ECN	R	CUST	SUP
4	6/26/01	LGG		ADDED REF AND UPDATED FOR WEB	GB0239BX	4		
3	9-15-97	CGSM		REMOVED ABM2S-S6-69 INFO. FROM DRAWING	GB0239BX	3		
2	12-16-96	AJV		CHANGED HOLE SPACING FROM .700 TO .740	GB0239BX	2		
				CHANGED LENGTH FROM 1.005 TO 1.00	GB0239BX			
1	12-9-96	AJV		ADDED ABM2S-S6, MATERIAL TABLE	GB0239BX	1		
R	5-14-96	CJG		INITIAL RELEASE	GB0239BX	R		

X-ON Electronics

Largest Supplier of Electrical and Electronic Components

Click to view similar products for [Cable Tie Mounts](#) category:

Click to view products by [Panduit](#) manufacturer:

Other Similar products are found below :

[3-350087-0](#) [CTB75X75BKA-C](#) [561-EZAB580T](#) [561-EZS375B40](#) [561-TA250125](#) [08443-0](#) [10035-0](#) [561-TA00600](#) [1689174-1](#) [08445-0](#)
[10351-0](#) [561-TA250125B](#) [20015-0](#) [10350-0](#) [10029-0](#) [08484-0](#) [08446-0](#) [08318-0](#) [PAM075NY-A-C](#) [MTH1-3](#) [10044](#) [151-01802](#) [151-11319](#)
[PLWP1SB-D](#) [PLWP1M-C](#) [PLWP2SA-D](#) [PLWP2SB-D](#) [PLWP2S-C](#) [PLWP1S-D](#) [PLWP1M-D](#) [TA1S8-C](#) [ABM3H-A-L](#) [ABM3H-AT-T0](#)
[EMS-A-C0](#) [EMSK3-1-3-0](#) [10079](#) [151-10930](#) [151-10920](#) [3590](#) [151-28320](#) [151-28349](#) [151-28530](#) [151-10914](#) [151-10904](#) [151-10915](#) [151-](#)
[10916](#) [151-10906](#) [115-06960](#) [06297](#) [CTB75X75NTA-C](#)