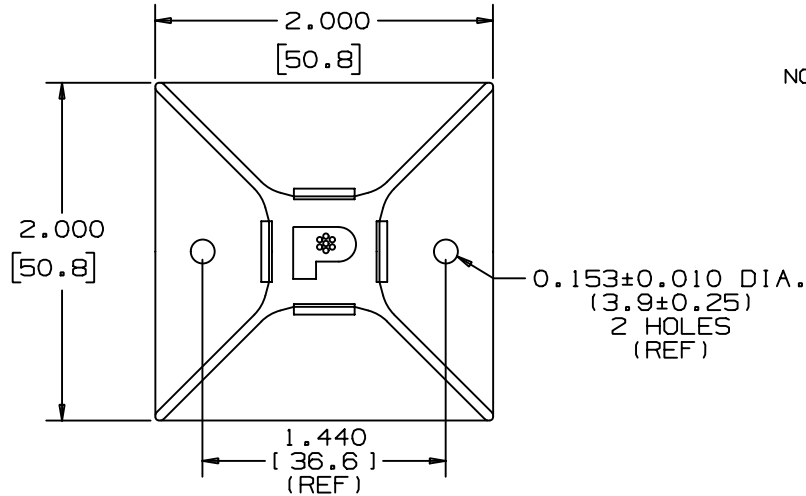


THIS COPY IS PROVIDED ON A RESTRICTED BASIS AND IS NOT TO BE USED IN ANY WAY DETRIMENTAL TO THE INTERESTS OF PANDUIT CORP.

NO WARRANTY, EXPRESSED OR IMPLIED, IS MADE BY PANDUIT WITH RESPECT TO ADHESIVE BOND PERFORMANCE. AMONG OTHER THINGS, THE CONDITIONS UNDER WHICH THESE MOUNTS MAY BE APPLIED AND/OR THE SURFACE TO WHICH THEY MAY BE APPLIED ARE BEYOND PANDUIT'S CONTROL.

| PANDUIT PART NO.* | USE WITH THESE CABLE TIE ** CROSS SECTIONS | WEIGHT lbs /100 pcs. (g) |
|---------------------|--|--------------------------------|
| ABM4H-A OR ABM50 | M, I, S, LH & H | 1.08 (492) |

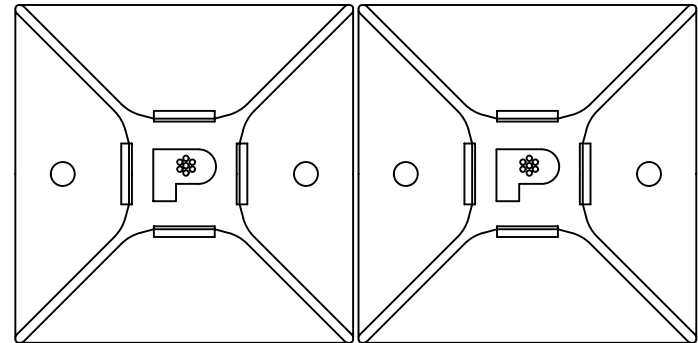


NOTES:

- SEE CURRENT PRICE SHEET FOR PART NUMBER SUFFIX DESIGNATIONS FOR PACKAGE SIZE.
- CABLE TIE CROSS SECTION CODE: M=MINIATURE, I=INTERMEDIATE, S=STANDARD, LH=LIGHT HEAVY, H=HEAVY. MOUNT SHOULD NOT BE USED WITH M, I OR S CROSS SECTION CABLE TIES WITH LESS THAN A 2" BUNDLE DIAMETER.
- MOUNT HAS CONTINUOUS OPERATING TEMPERATURE OF 120°F (49°C).

TO APPLY MOUNT

- REMOVE MOUNT FROM PROTECTIVE LINER.
- PLACE IN DESIRED LOCATION.
- APPLY PRESSURE TO MOUNT.



0.095±0.010
[2.4±0.25]

0.365±0.010
[9.3±0.25]

ADHESIVE TAPE: PRESSURE SENSITIVE FOAM 0.040(1.01) THICK WITH PROTECTIVE LINER. MOUNT IS DESIGNED TO SUPPORT 2.0 lbs.(907g) MAX. WEIGHT ON A CLEAN, DRY, SMOOTH, GREASE-FREE SURFACE

(DIMENSIONS IN PARENTHESES ARE IN METRIC.)

CAD FILENAME/LAYERS G00239DQ_PB_ABM4HA_03

PANDUIT

CORP. TINLEY PARK, ILLINOIS

ABM4H-A AND ABM50
ADHESIVE BACKED MOUNT

| REV | DATE | BY | CHK | DESCRIPTION | ECN | R | CUST | SUP |
|-----|----------|------|-----|--|----------|---|------|-----|
| 3 | 12-1-00 | CGSM | | ADDED NEW PART# ABM50 FOR JAPAN PARTS | GB0239DQ | 3 | | |
| 2 | 10-30-00 | CGSM | | REMOVED DIM, CHANGED DIMENSIONS TO REF, EDITED NOTES, ADDED NOTE 3 | GB0239DQ | 2 | | |
| 1 | 9-15-00 | CGSM | | CHANGED HOLE SIZE DIMENSION | GB0239DQ | 1 | | |
| R | 8-29-96 | CJG | | INITIAL RELEASE | GB0239DQ | R | | |

UNLESS OTHERWISE SPECIFIED,
DIMENSIONAL TOLERANCES ARE:
(.X) ±0.1(2.5) (.XXX) ±0.020(.5)
(.XX) ±0.05(1.3) ANGLES ±5°

UNLESS OTHERWISE SPECIFIED,
ALL DIMENSIONS ARE GIVEN
IN INCHES, THIRD ANGLE PROJECTION.

DRAWN BY
CJG

MAT'L:

SCALE FULL

DATE
8-29-96

WHITE
NYLON 6/6

DRAWING NO.
GB0239DQ

DWG
A
SIZE

X-ON Electronics

Largest Supplier of Electrical and Electronic Components

Click to view similar products for [Cable Tie Mounts](#) category:

Click to view products by [Panduit](#) manufacturer:

Other Similar products are found below :

[3-350087-0](#) [CTB75X75BKA-C](#) [561-EZAB580T](#) [561-EZS375B40](#) [561-TA250125](#) [08443-0](#) [10035-0](#) [561-TA00600](#) [1689174-1](#) [08445-0](#)
[10351-0](#) [561-TA250125B](#) [20015-0](#) [10350-0](#) [10029-0](#) [08484-0](#) [08446-0](#) [08318-0](#) [PAM075NY-A-C](#) [MTH1-3](#) [10044](#) [151-01802](#) [151-11319](#)
[151-11819](#) [PLWP1SB-D](#) [PLWP1M-C](#) [PLWP2SA-D](#) [PLWP2SB-D](#) [PLWP2S-C](#) [PLWP1S-D](#) [PLWP1M-D](#) [TA1S8-C](#) [ABM3H-A-L](#) [ABM3H-](#)
[AT-T0](#) [EMS-A-C0](#) [EMSK3-1-3-0](#) [10079](#) [10030](#) [151-10930](#) [151-10920](#) [3590](#) [151-28320](#) [151-28349](#) [151-28530](#) [151-10914](#) [151-10904](#) [151-](#)
[10915](#) [151-10916](#) [151-10906](#) [115-06960](#)