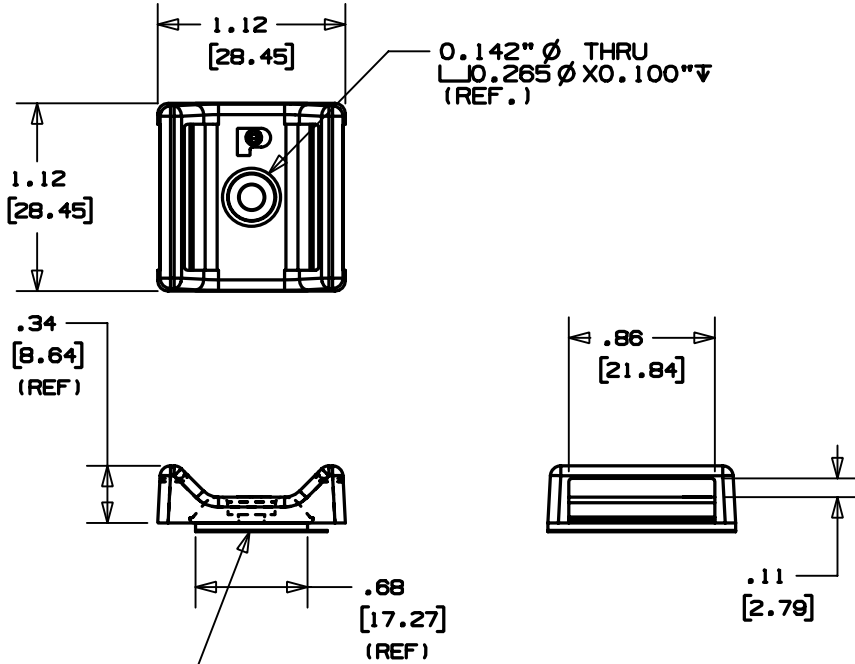


THIS COPY IS PROVIDED ON A RESTRICTED BASIS AND IS NOT TO BE USED IN ANY WAY DETRIMENTAL TO THE INTERESTS OF PANDUIT CORP.

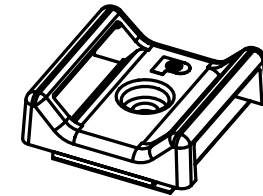
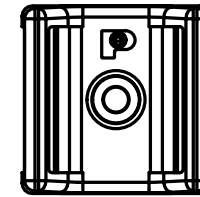


Adhesive Backing: Pressure Sensitive Adhesive Foam Tape 0.04" (1.0mm) thick with a protective liner. Mount is designed to support 0.38 lbs. (173.5g) max weight on a clean, dry, smooth, grease free surface.

NOTES:

- SEE CURRENT PRICE SHEET FOR PART NUMBER SUFFIX DESIGNATION FOR PACKAGE SIZE AND COLOR.
- A SUFFIX REPRESENTS RUBBER ADHESIVE
-AT SUFFIX REPRESENTS ACRYLIC ADHESIVE
-S6 SUFFIX, NO ADHESIVE: SCREW APPLIED WITH A #6-32 BUTTON HEAD CAP SCREW.
- ABMT-A HAS A MAXIMUM CONTINUOUS OPERATING TEMPERATURE OF 120°F (49°C).
ABMT-AT HAS A MAXIMUM CONTINUOUS OPERATING TEMPERATURE OF 180°F (82°C).

PANDUIT PART NO. (*)	WEIGHT lbs / 100 (g) / pcs.
ABMT-_-_-	NO ADHESIVE 0.64 (291.4)
	WITH ADHESIVE 0.65 (294.8)



SCALE: FULL

DIMENSIONS IN BRACKETS ARE METRIC [mm]	
CAD FILENAME/LAYER: G02471CB_PB_ABMT_01	
PANDUIT CORP. TINLEY PARK, ILLINOIS	
ADHESIVE BACKED "TAK-TY" MOUNT (ABMT-_-_-)	
UNLESS OTHERWISE SPECIFIED, DIMENSIONAL TOLERANCES ARE: (.X) ±0.05 (1.3) (.XXX) ±0.010 (0.25) (.XX) ±0.02 (0.5) ANGLES ± 5°	UNLESS OTHERWISE SPECIFIED, ALL DIMENSIONS ARE GIVEN IN INCHES, THIRD ANGLE PROJECTION.
DRAWN BY JAD	MAT'L: NYLON 6/6
DATE 1/28/02	SCALE NONE
REV	DRAWING NO. GB2471CB
DATE	DWG SIZE A
BY	
CHK	
DESCRIPTION	
ECN - R	
CUST	
SUP	

1	2/11/05	JAD		1.12 was 1.10	GB2471CB	1			
REV	DATE	BY	CHK	DESCRIPTION	ECN - R	CUST	SUP		

X-ON Electronics

Largest Supplier of Electrical and Electronic Components

Click to view similar products for [Cable Tie Mounts](#) category:

Click to view products by [Panduit](#) manufacturer:

Other Similar products are found below :

[3-350087-0](#) [CTB75X75BKA-C](#) [561-EZAB580T](#) [561-EZS375B40](#) [561-TA250125](#) [08443-0](#) [10035-0](#) [561-TA00600](#) [1689174-1](#) [08445-0](#)
[10351-0](#) [561-TA250125B](#) [20015-0](#) [10350-0](#) [10029-0](#) [08484-0](#) [08446-0](#) [08318-0](#) [PAM075NY-A-C](#) [MTH1-3](#) [10044](#) [151-01802](#) [151-11319](#)
[151-11819](#) [PLWP1SB-D](#) [PLWP1M-C](#) [PLWP2SA-D](#) [PLWP2SB-D](#) [PLWP2S-C](#) [PLWP1S-D](#) [PLWP1M-D](#) [TA1S8-C](#) [ABM3H-A-L](#) [ABM3H-](#)
[AT-T0](#) [EMS-A-C0](#) [EMSK3-1-3-0](#) [10079](#) [10030](#) [151-10930](#) [151-10920](#) [3590](#) [151-28320](#) [151-28349](#) [151-28530](#) [151-10914](#) [151-10904](#) [151-](#)
[10915](#) [151-10916](#) [151-10906](#) [115-06960](#)