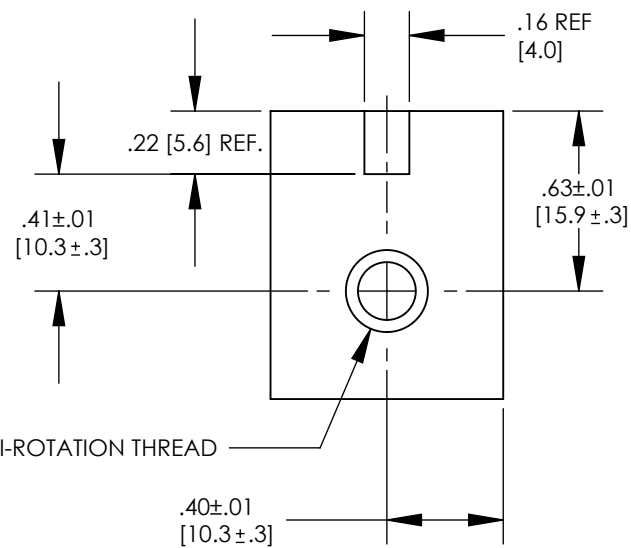
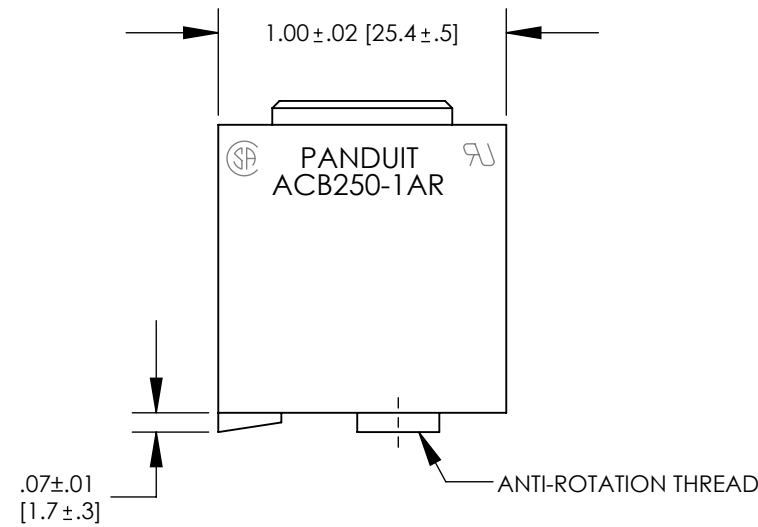
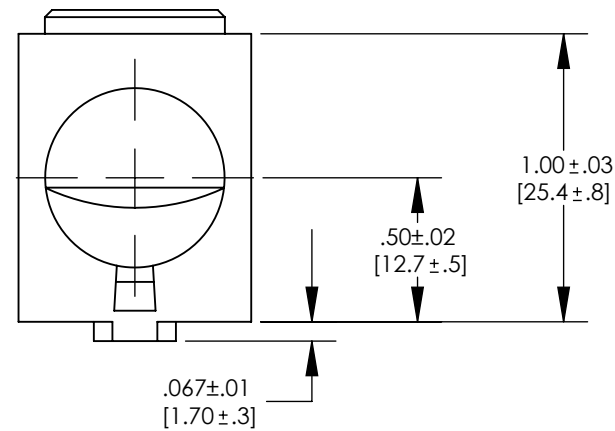
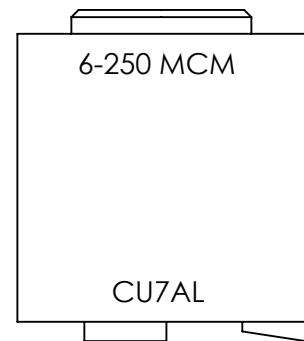
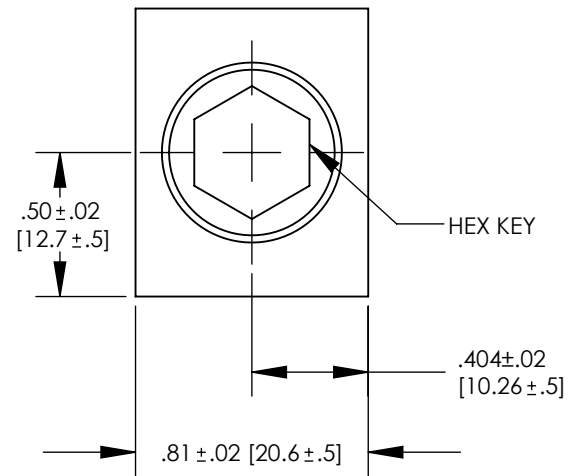


NOTES:

1. UL RECOGNIZED  
CSA CERTIFIED UP TO 600V  
CU7AL RATED
2. TO BE USED WITH COPPER OR ALUMINUM  
STRANDED WIRE.
3. MATERIAL: ALUMINUM, TIN PLATED
4. CONDUCTOR RANGE: 250 kcmil - #6 AWG
5. DIMENSIONS ARE INCHES. DIMENSIONS IN  
PARENTHESIS ARE MILLIMETERS.



PART NUMBER	PKG. QTY.	WIRE RANGE COPPER/ALUMINUM	WIRE STRIP LENGTH IN [mm]	ANTI-ROTATION THREAD	INSTALLATION TORQUE IN-LBS [N-m]	HEX KEY	SCREW MAT'L	PART WEIGHT LB [kg]
ACB250-1AR-Q	25	250 kcmil - 6 AWG	1.25 [31.8]	1/4"-20	275 [31.1]	5/16"	ALUMINUM	.053 lb [.024kg]

REV	DATE	BY	CHK	APR	DESCRIPTION	ECN
01	11/13	JHNU	JHNU	RGB	REMOVED ACB250-1AR-C REVISED TITLE BLOCK & TOLERANCES	N41775BA-C41775
00	9/09	JHNU	JHNU	JAC	DRAWING RELEASED	

TITLE <b>ALUMINUM CONNECTOR BLOCK (ACB250-1AR-Q)</b> CUSTOMER DRAWING			
ITEM REVISION NAME N41775BA-C41775/01		<b>PANDUIT</b>	
DATASET FILE NAME C41775/01.SLDDRW			
UNLESS OTHERWISE SPECIFIED, DIMENSIONAL TOLERANCES ARE: IN [mm]			
.X ±		.XXX ±	
.XX ±		ANGLES ±	
DRAWN BY JHNU		DATE 9/09	
CHK JAC		SCALE N/A	
DRAWING NUMBER C41775_01			SIZE B
SHEET 1 OF 1			

## X-ON Electronics

Largest Supplier of Electrical and Electronic Components

*Click to view similar products for [Terminals](#) category:*

*Click to view products by [Panduit](#) manufacturer:*

Other Similar products are found below :

[HT-13-10](#) [71M-250-32-NB](#) [01-2065-1-0216](#) [00581P0075](#) [M10-10RX](#) [M10BCK](#) [60205-1](#) [604200-1](#) [60598-1-CUT-TAPE](#) [60617-1-C](#) [60873-1](#) [M14-516R/SK](#) [M14-6RSX](#) [M18-10FLX](#) [M18-8FBX](#) [M18-8R/LX](#) [M18BCK](#) [61314-6-C](#) [61-S](#) [61-SN-A](#) [62-NBM-A](#) [63-S](#) [640179-1](#) [640917-2-CUT-TAPE](#) [6501550002](#) [66107-2-C](#) [66107-4-C](#) [696683-1](#) [696834-1](#) [696861-1](#) [696931-1](#) [696999-1](#) [M8-516RK](#) [M86700006](#) [MA250DMFMX-A](#) [701-2007](#) [701-2307](#) [701-7761-03](#) [70F-110-32-PB](#) [718-N-A](#) [71M-187-20-NBL](#) [71M-250-32-NBL](#) [72F-187-20-NBL](#) [72M-250-32-NBL](#) [7310](#) [73F-250-32](#) [73F-250-32-NBL](#) [73F-250-32-NL](#) [F14-10C](#) [F-1M](#)