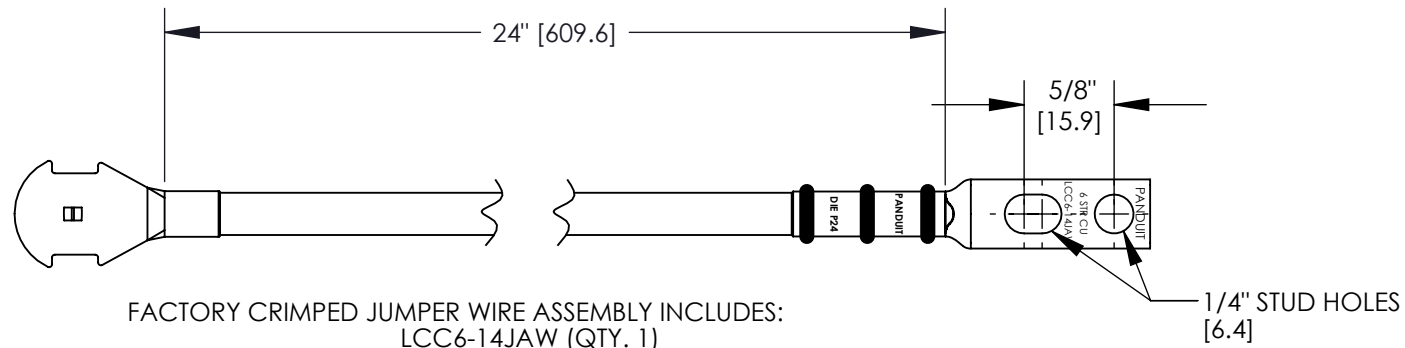
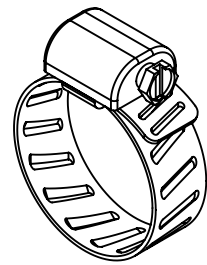


NOTES:

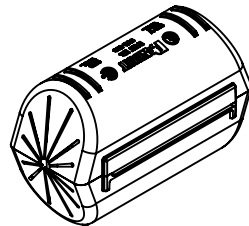
1. KIT INCLUDES JUMPER WIRE ASSEMBLY, MECHANICAL CLAMP, THREAD-FORMING SCREWS, AND TERMINAL COVER.
2. FOR USE WITH UNJACKETED ARMOR CABLE. DIAMETER RANGE - .440" - 1.250".
3. DIMENSIONS IN PARENTHESIS ARE MILLIMETERS



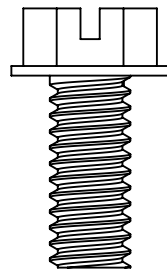
FACTORY CRIMPED JUMPER WIRE ASSEMBLY INCLUDES:
 LCC6-14JAW (QTY. 1)
 ARMORED CABLE GROUNDING TERMINAL (QTY. 1)
 #6 AWG/16mm SQ. WIRE - GREEN/YELLOW INSULATION, 24" [609.6]



#10 MECHANICAL CLAMP, 9/16" - 1-1/16" DIAMETER RANGE
 #16 MECHANICAL CLAMP, 15/16" - 1-1/2" DIAMETER RANGE



BLACK POLYPROPYLENE COVER; CVR250
 BLACK POLYPROPYLENE COVER; CVR500



#12-24 SLOTTED HEX-HEAD ZINC PLATED
 THREAD-FORMING SCREW

M6 SLOTTED HEX-HEAD ZINC PLATED
 THREAD-FORMING SCREW

COMPONENT DESCRIPTION	ACG24K	ACG24K-500	ACG24KX-500
	COMPONENT QTY.	COMPONENT QTY.	COMPONENT QTY.
24" JUMPER ASSEMBLY	1	1	1
#10 MECHANICAL CLAMP	1	1	N/A
#16 MECHANICAL CLAMP	N/A	N/A	1
BLACK POLYPROPYLENE COVER - CVR250	1	N/A	N/A
BLACK POLYPROPYLENE COVER - CVR500	N/A	1	1
#12-24 THREAD FORMING SCREW	2	2	2
M6 THREAD FORMING SCREW	2	2	2

							PANDUIT CORP. TINLEY PARK, ILLINOIS				
							ARMORED CABLE GROUNDING JUMPER KIT (ACG24K, ACG24K-500, ACG24KX-500) CUSTOMER DRAWING				
							UNLESS OTHERWISE SPECIFIED DIMENSIONAL TOLERANCES ARE: (.X) ± (.XXX) ± (.XX) ± ANGLES ±				
							UNLESS OTHERWISE SPECIFIED, ALL DIMENSIONS ARE GIVEN IN INCHES, THIRD ANGLE PROJECTION				
05	7/11	JHNU	JHNU	REVISED TABLE TO REMOVE PART ALREADY IN TABLE	N41753BB-C41753	RGB	RGB	DRAWN BY	MAT'L:	SCALE	NONE
04	5/11	JHNU	RWK	REVISED NOTE 2: 1.250" WAS 1.000"	N41753BB-C41753	RGB	RGB				
03	5/11	JHNU	RWK	REMOVED ACG24KX FROM DRAWING	N41753BB-C41753	FLD	FLD	DATE		DRAWING NO / CAD FILE	DWG B SIZE
02	4/11	JHNU	RWK	ADDED PART NUMBER ACG24KX-500, ACG24KX	N41753BB-C41753	FLD	FLD				
01	9/08	JHNU	JMAR	ADDED P/N ACG24K-500 ADDED TABLE TO CLARIFY COMPONENT QUANTITIES				CHK'D		C41753_05	
00	6/08	JHNU	JMAR	DRAWING RELEASED							
REV	DATE	BY	CHK	DESCRIPTION	ECN	-R	SUP				

X-ON Electronics

Largest Supplier of Electrical and Electronic Components

Click to view similar products for [Fibre Optic Cable Assemblies](#) category:

Click to view products by [Panduit](#) manufacturer:

Other Similar products are found below :

[7-21002-9](#) [760-1518](#) [FA04390-50-M-72-LC-N](#) [MLB 501 V RED](#) [MLB 501 V YELLOW](#) [1-3636-600-5208](#) [2061529-7](#) [1-6693182-0](#)
[1754898-1](#) [21055-6](#) [FXBSCSCE2LM002](#) [3000005](#) [3-21053-2](#) [MLB 200/1 V BLACK](#) [5492011-6](#) [106284-7000](#) [5492011-5](#) [5492011-8](#)
[5492011-9](#) [8-21007-5](#) [2123524-2](#) [2123524-1](#) [106386-4447](#) [DFSM-SCSC-2M](#) [2123909-4](#) [2123909-8](#) [106273-0629](#) [2125046-1](#) [2821236-3](#)
[2821310-2](#) [2821310-3](#) [2821313-4](#) [FX2ERLNLNSNM0.5](#) [CF-980062-074](#) [CF-901200-394](#) [CF-980062-073](#) [CF-980062-071](#) [CF-980062-075](#)
[CF-980062-072](#) [17-300310-100](#) [2821236-2](#) [2821313-1](#) [G-FC-FC-S-002.0-DX-A-18-Y](#) [G-E2A-E2A-S-003.0-SX-A-18-Y](#) [956-322-502214](#)
[FA04474](#) [1083665](#) [1111540](#) [1111843](#) [1115533](#)