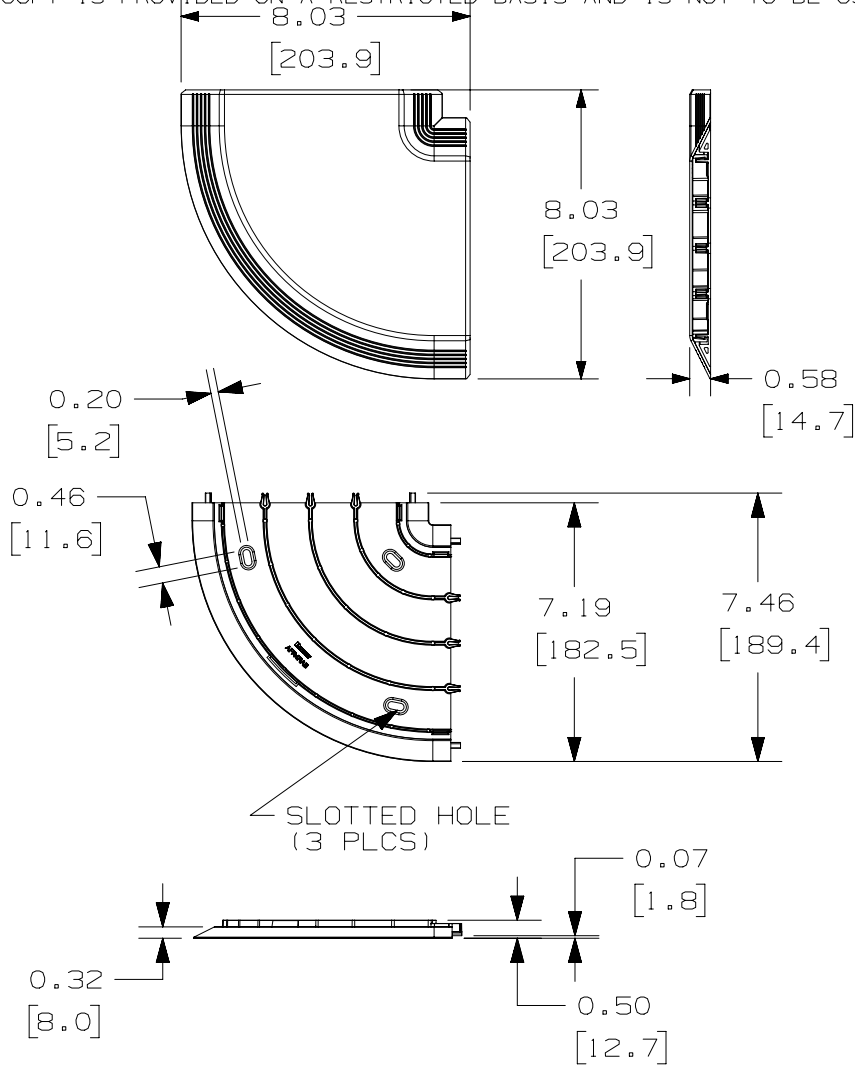
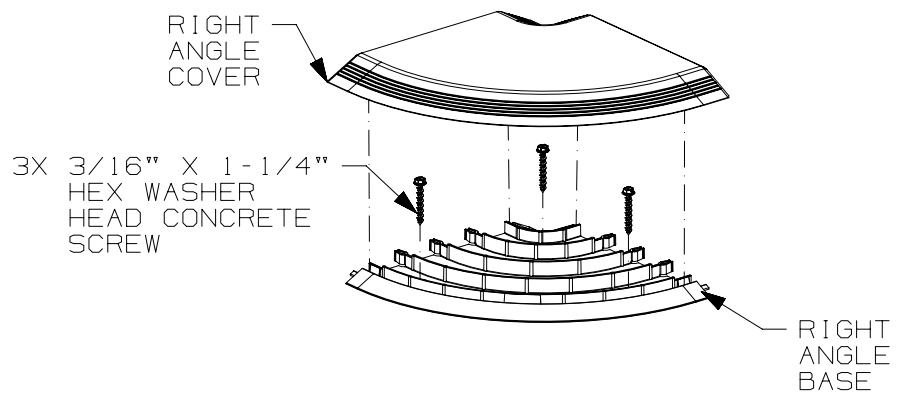


THIS COPY IS PROVIDED ON A RESTRICTED BASIS AND IS NOT TO BE USED IN ANY WAY DETRIMENTAL TO THE INTERESTS OF PANDUIT CORP.



- NOTES:
- VISIT OUR ON-LINE CATALOG AT [WWW.PANDUIT.COM](http://WWW.PANDUIT.COM) FOR A LIST OF CURRENT PARTS APPLICABLE FOR USE WITH THIS PRODUCT.
  - DIMENSIONS IN [ ] ARE METRIC.
  - WEIGHT: 0.5-1b (0.23-kg)
  - PART INCLUDES:
    - 1- ABOVE FLOOR RACEWAY 4-CHANNEL RIGHT ANGLE BASE
    - 1- ABOVE FLOOR RACEWAY 4-CHANNEL RIGHT ANGLE COVER
    - 4- 3/16" X 1-1/4" HEX WASHER HEAD CONCRETE SCREW
  - RoHS COMPLIANT, UL 94V-0 MATERIAL
  - THIS PRODUCT IS INTENDED TO JOIN SECTIONS OF ABOVE FLOOR RACEWAY TO MAKE HORIZONTAL 90° (RIGHT ANGLES).



**	COLOR
IW	OFF-WHITE
BL	BLACK
OS	OFFICE SLATE

PART NUMBER		AFR4RA**	
TITLE		ABOVE FLOOR RACEWAY 4-CHANNEL RIGHT ANGLE FITTING	
		CUSTOMER DRAWING	
ITEM REVISION NAME		00064EAB/00	
DATASET FILE NAME		00064EAB_DC/00B	
MATERIAL		PVC	
DRAWING NUMBER		00064EAB-DC	
THIRD ANGLE PROJECTION			
DRAWN BY	DATE	CHK	SCALE
BJN	8-22-17	ROJC	NONE
REV	DATE	BY	CHK
00B	6-13-18	BJN	ROJC
00A	8-27-17	BJN	ROJC
APR	DESCRIPTION		ECN
	UPDATED NOTES TO INCLUDE (4) SCREWS		00064EAB-DC
	RELEASED TO PRODUCTION		00064EAB-DC
SHEET 1 OF 1		SIZE A	

A-SIZE CUSTOMER

## X-ON Electronics

Largest Supplier of Electrical and Electronic Components

*Click to view similar products for [Wire Ducting & Raceways](#) category:*

*Click to view products by [Panduit](#) manufacturer:*

Other Similar products are found below :

[FG5EI25-A](#) [PED12](#) [PED8](#) [PEVEP](#) [FXOE3-10M3](#) [FZD3-3M2](#) [FZLE10-10M2](#) [FZOE10-10M1](#) [FZOLE10-10M2](#) [FZPE3-10M2](#) [923223-000](#)  
[PRAF6WH-X](#) [A0405538](#) [1301150342](#) [1301230083](#) [1301150343](#) [1301230086](#) [1301240054](#) [AX101472](#) [AX102652](#) [AX102653](#) [AX102737](#)  
[S62DS](#) [S65DS](#) [S75DSH](#) [A0405536](#) [A0405537](#) [A0649869](#) [FXOD3-3M1](#) [FXOE10-10M2](#) [FZLD3-3M2](#) [FZOE3-10M1](#) [FZOE3-10M2](#)  
[FZOLE3-10M2](#) [FZOPE10-10M1](#) [FZPD3-3M2](#) [PZRFE4](#) [PZWIFIEN](#) [PZWIFIENA](#) [CNPSNH](#) [CNSPC](#) [5400ES](#) [WDLT-1216-72](#) [655287-000](#)  
[S75DS](#) [1301180028](#) [801A-LSP](#) [TGECAW](#) [206461-000](#) [853425-000](#)