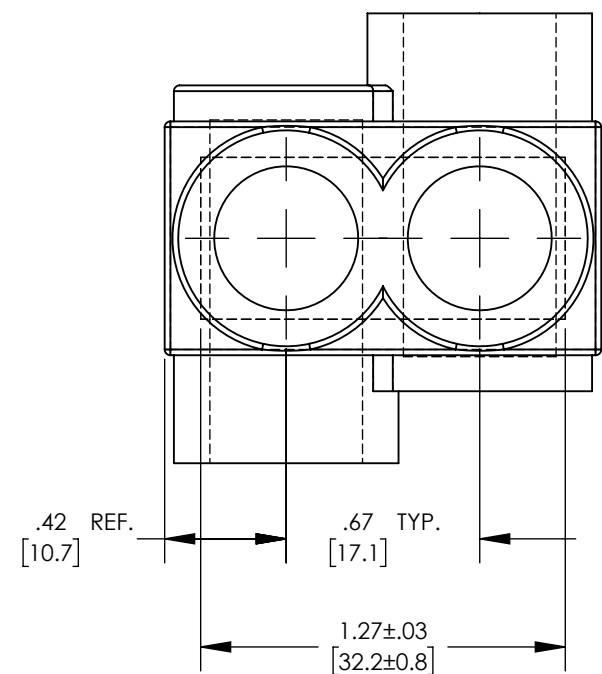
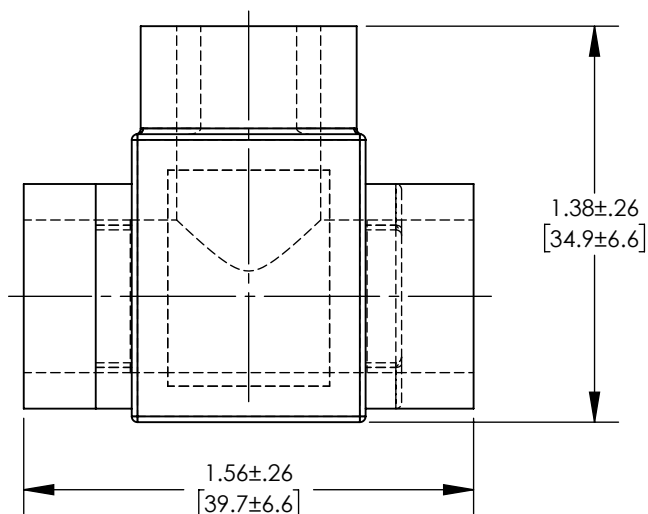
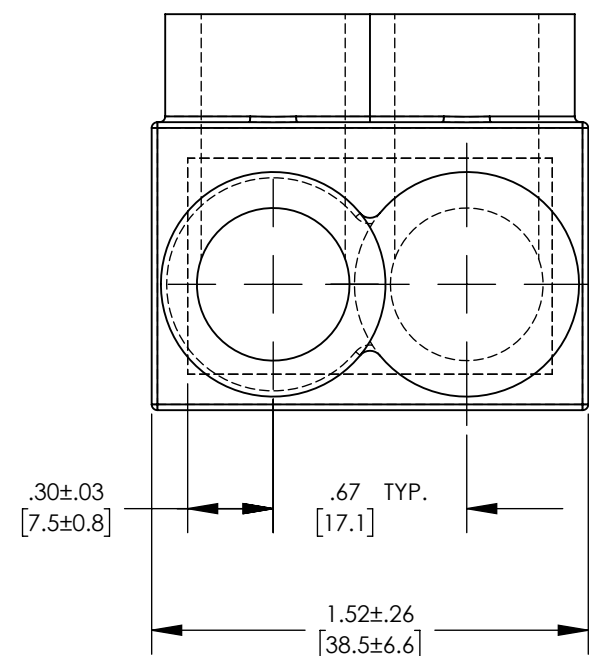
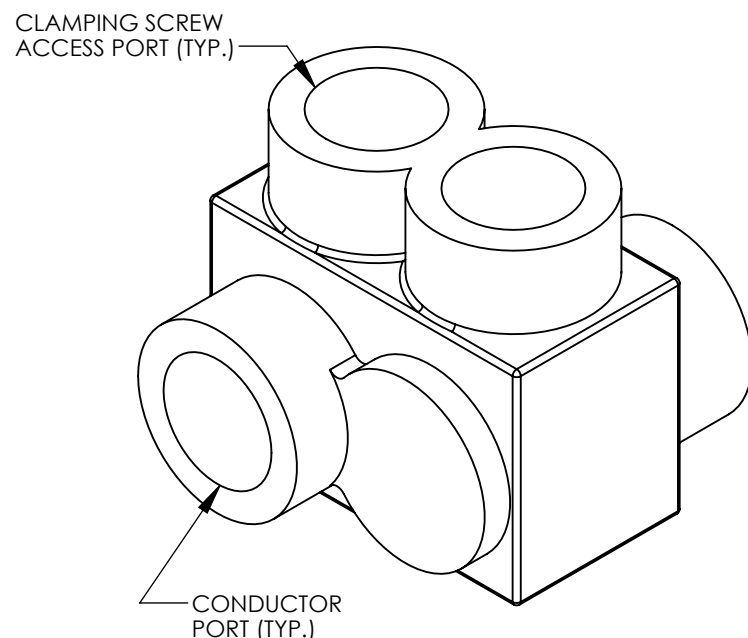


PART NUMBER	CONDUCTOR RANGE	HEX KEY	WIRE STRIP LENGTH	SCREW QTY.	CAP (SCREW PORT) QTY.	CAP (WIRE PORT) QTY.
BLKPSB2/0-AP-12	#2/0 - #14 STR #10 - #14 SOL	3/16	.63 [15.9]	2	2	2



TWO PORT CONNECTOR BLOCK SHOWN WITH PLASTIC CLOSURE PLUGS REMOVED.



NOTES:

- UL486A-UL486B LISTED/CSA CERTIFIED C22.2 No. 65, DUAL RATED AL9CU FOR ALUMINUM OR COPPER CONDUCTORS. MEETS OR EXCEEDS ANSI C119.4
- VOLTAGE RATING: 600 V. MAX BUILDING WIRE, 1000 V. MAX. IN SIGNS & FIXTURES.
- TEMPERATURE RATING: 90° C (AL9CU).
- CONNECTOR BLOCK BODY MADE FROM ALUMINUM. CONDUCTOR PORTS ARE PREFILLED WITH AN OXIDE INHIBITING COMPOUND.
- CONNECTOR TO INCLUDE TIN PLATED ALUMINUM CLAMPING SCREWS FOR EACH CONDUCTOR PORT.
- INSULATION MATERIAL IS BLACK PVC.
- INSULATION MATERIAL HAS A UL94V-0 FLAME RATING.
- INSULATION MATERIAL HAS A UV-1 RATING.
- CONNECTOR RATED FOR INDOOR USE ONLY.
- CLAMPING SCREW ACCESS PORTS AND ALL WIRE ENTRY PORTS PROVIDED WITH REMOVEABLE PLASTIC CLOSURE PLUGS.
- CLOSURE PLUG MATERIAL IS A BLACK LDPE.
- CLOSURE PLUG MATERIAL DOES NOT HAVE A UV RATING OR FLAME RATING.
- SEE PACKAGE LABEL FOR TIGHTENING TORQUE SPECIFICATIONS.
- ONLY ONE CONDUCTOR PER PORT ALLOWED.
- DIMENSIONS IN BRACKETS ARE MILLIMETERS.
- PKG. QTY. = 12

REV	DATE	BY	CHK	APR	DESCRIPTION	ECN
02	8/16	JHNU	BKR	RGB	REVISED NOTE 7: UL94V-0 REVISED NOTE 12: ADDED UV RATING ADDED UV-1 RATING NOTE ADDED INDOOR USE ONLY NOTE	13J051CS-DC
01	1/16	JHNU	BKR	RGB	ADDED PACKAGING QTY. TO PART NUMBER	13J051CS-DC
00	12/15	JHNU	BKR	RGB	DRAWING RELEASED	13J051CS-DC

TITLE MULTI-TAP BLACK INSULATED CONNECTOR, OFFSET BLKPSB2/0-AP SERIES CUSTOMER DRAWING						
ITEM REVISION NAME 13J051CS/02			<b>PANDUIT</b>			
DATASET FILE NAME 13J051CS-DC/02.SLDDRW						
UNLESS OTHERWISE SPECIFIED, DIMENSIONAL TOLERANCES ARE: IN [mm]						
.X ±		.XXX ±		MATERIAL		
.XX ± .02 [10.5]		ANGLES ±		SEE NOTES		
DRAWN BY JHNU			DATE 12/15		DRAWING NUMBER 13J051CS-DC	
CHK RGB			SCALE N/A		SHEET 1 OF 1	
						SIZE B

## X-ON Electronics

Largest Supplier of Electrical and Electronic Components

*Click to view similar products for [Wire Ducting & Raceways](#) category:*

*Click to view products by [Panduit](#) manufacturer:*

Other Similar products are found below :

[FG5EI25-A](#) [PED12](#) [PED8](#) [PEVEP](#) [FXOE3-10M3](#) [FZD3-3M2](#) [FZLE10-10M2](#) [FZOE10-10M1](#) [FZOLE10-10M2](#) [FZPE3-10M2](#) [923223-000](#)  
[PRAF6WH-X](#) [A0405538](#) [1301150342](#) [1301230083](#) [1301150343](#) [1301230086](#) [1301240054](#) [AX101472](#) [AX102652](#) [AX102653](#) [AX102737](#)  
[S62DS](#) [S65DS](#) [S75DSH](#) [A0405536](#) [A0405537](#) [A0649869](#) [FXOD3-3M1](#) [FXOE10-10M2](#) [FZLD3-3M2](#) [FZOE3-10M1](#) [FZOE3-10M2](#)  
[FZOLE3-10M2](#) [FZOPE10-10M1](#) [FZPD3-3M2](#) [PZRFE4](#) [PZWIFIEN](#) [PZWIFIENA](#) [CNPSNH](#) [CNSPC](#) [5400ES](#) [WDLT-1216-72](#) [655287-000](#)  
[S75DS](#) [1301180028](#) [801A-LSP](#) [TGECAW](#) [206461-000](#) [853425-000](#)