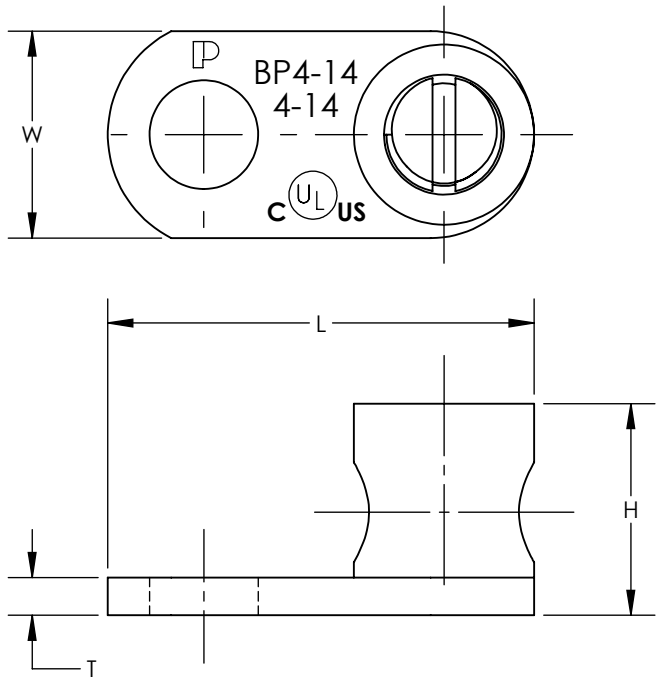


THIS COPY IS PROVIDED ON A RESTRICTED BASIS AND IS NOT TO BE USED IN ANY WAY DETRIMENTAL TO THE INTERESTS OF PANDUIT CORP.

PART NUMBER	CONDUCTOR RANGE	BOLT SIZE	APPROXIMATE DIMENSIONS IN [mm] ± .02 [0.5]				INSTALLATION TOOL
			W	H	T	L	
BP4-14	14 SOL - 4 STR	1/4	.54 [13.7]	.55 [14.0]	.10 [2.5]	1.11 [28.2]	SLOTTED SCREWDRIVER
BP4-14T							

NOTES:

1. MATERIAL: COPPER
(BP4-14T IS TIN PLATED)
2. FOR COPPER WIRE ONLY.
3. DIMENSIONS IN BRACKETS ARE MILLIMETERS.
3. SEE PACKAGE LABEL FOR TORQUE VALUES.
4. SEE www.PANDUIT.com FOR PACKAGING QUANTITIES.



REV	DATE	BY	CHK	APR	DESCRIPTION	ECN
00	12/16	JHNU	DAOS	RGB	DRAWING RELEASED	00159NAA-DC

TITLE COPPER MECHANICAL LUGS (BP4-14-C, BP4-14T-C) CUSTOMER DRAWING	
ITEM REVISION NAME	00159NAA/00
DATASET FILE NAME	00159NAA-DC/00.SLDDRW
UNLESS OTHERWISE SPECIFIED, DIMENSIONAL TOLERANCES ARE: IN [mm] .X ± .XXX ± .XX ± .02 [0.5] ANGLES ±	
THIRD ANGLE PROJECTION	
DRAWN BY	JHNU
DATE	12/16
CHK	RGB
SCALE	N/A
MATERIAL SEE NOTES	
DRAWING NUMBER 00159NAA-DC	
SHEET 1 OF 1	
SIZE A	

X-ON Electronics

Largest Supplier of Electrical and Electronic Components

Click to view similar products for [Terminals](#) category:

Click to view products by [Panduit](#) manufacturer:

Other Similar products are found below :

[HT-13-10](#) [71M-250-32-NB](#) [01-2065-1-0216](#) [00581P0075](#) [M10-10RX](#) [M10BCK](#) [60205-1](#) [604200-1](#) [60598-1-CUT-TAPE](#) [60617-1-C](#) [60873-1](#) [M14-516R/SK](#) [M14-6RSX](#) [M18-10FLX](#) [M18-8FBX](#) [M18-8R/LX](#) [M18BCK](#) [61314-6-C](#) [61-S](#) [61-SN-A](#) [62-NBM-A](#) [63-S](#) [640179-1](#) [640917-2-CUT-TAPE](#) [6501550002](#) [66107-2-C](#) [696683-1](#) [696834-1](#) [696861-1](#) [696931-1](#) [696999-1](#) [M8-516RK](#) [M86700006](#) [MA250DMFMX-A](#) [701-2007](#) [701-2307](#) [701-7761-03](#) [70F-110-32-PB](#) [718-N-A](#) [71M-187-20-NBL](#) [71M-250-32-NBL](#) [72F-187-20-NBL](#) [72M-250-32-NBL](#) [7310](#) [73F-250-32](#) [73F-250-32-NBL](#) [73F-250-32-NL](#) [F14-10C](#) [F-1M](#) [751-250](#)