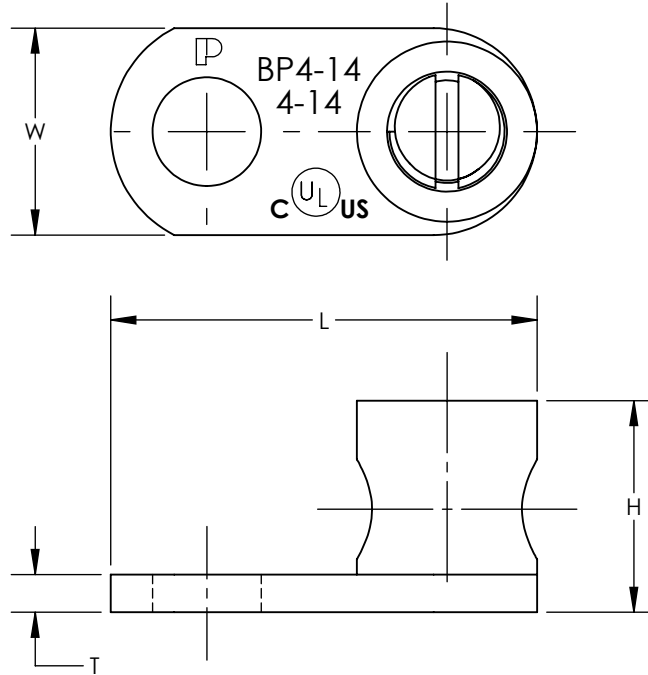


THIS COPY IS PROVIDED ON A RESTRICTED BASIS AND IS NOT TO BE USED IN ANY WAY DETRIMENTAL TO THE INTERESTS OF PANDUIT CORP.

NOTES:

1. MATERIAL: COPPER  
(BP4-14T IS TIN PLATED)
2. FOR COPPER WIRE ONLY.
3. DIMENSIONS IN BRACKETS ARE MILLIMETERS.
3. SEE PACKAGE LABEL FOR TORQUE VALUES.
4. SEE [www.PANDUIT.com](http://www.PANDUIT.com) FOR PACKAGING QUANTITIES.

PART NUMBER	CONDUCTOR RANGE	BOLT SIZE	APPROXIMATE DIMENSIONS IN [mm] ± .02 [0.5]				INSTALLATION TOOL
			W	H	T	L	
BP4-14	14 SOL - 4 STR	1/4	.54 [13.7]	.55 [14.0]	.10 [2.5]	1.11 [28.2]	SLOTTED SCREWDRIVER
BP4-14T							



REV	DATE	BY	CHK	APR	DESCRIPTION	ECN
00	12/16	JHNU	DAOS	RGB	DRAWING RELEASED	00159NAA-DC

TITLE <b>COPPER MECHANICAL LUGS (BP4-14-C, BP4-14T-C)</b> CUSTOMER DRAWING			
ITEM REVISION NAME 00159NAA/00		<b>PANDUIT</b>	
DATASET FILE NAME 00159NAA-DC/00.SLDDRW			
UNLESS OTHERWISE SPECIFIED, DIMENSIONAL TOLERANCES ARE: IN [mm] .X ± .XXX ± .XX ± .02 [0.5] ANGLES ±		MATERIAL SEE NOTES	
DRAWN BY JHNU		DATE 12/16	DRAWING NUMBER 00159NAA-DC
CHK RGB	SCALE N/A	THIRD ANGLE PROJECTION	
SHEET 1 OF 1		SIZE A	

## X-ON Electronics

Largest Supplier of Electrical and Electronic Components

*Click to view similar products for [Terminals](#) category:*

*Click to view products by [Panduit](#) manufacturer:*

Other Similar products are found below :

[00-054007-01074-6](#) [00-054007-70206-1](#) [00-054007-70210-8](#) [00-054007-70217-7](#) [00-054007-70226-9](#) [00-054007-70228-3](#) [00-054007-70248-1](#) [00-054007-70256-6](#) [00-054007-70301-3](#) [00-054007-70316-7](#) [0-0320562-0](#) [00-054007-49560-4](#) [00-054007-70209-2](#) [00-054007-70225-2](#) [00-054007-70227-6](#) [00-054007-70231-3](#) [00-054007-70241-2](#) [00-054007-70242-9](#) [00-054007-70244-3](#) [00-054007-70246-7](#) [00-054007-70263-4](#) [00-054007-70288-7](#) [00-054007-70290-0](#) [00-054007-70300-6](#) [00-054007-70304-4](#) [01-2065-1-0216](#) [01-2900-1-04412](#) [00581P0075](#) [600TS-10](#) [60205-1](#) [604200-1](#) [605601-1](#) [60598-1-CUT-TAPE](#) [61314-6-C](#) [61810-3](#) [61-S](#) [61-SN](#) [626-0194](#) [62-NBM-A](#) [62-SN](#) [62-SP](#) [63-S](#) [640179-1](#) [M55155/059I03](#) [M55155/079C01](#) [M55155/099H02](#) [M55155/109H01](#) [M55155/109H02](#) [M55155/12XH05](#) [M55155/16XH02](#)