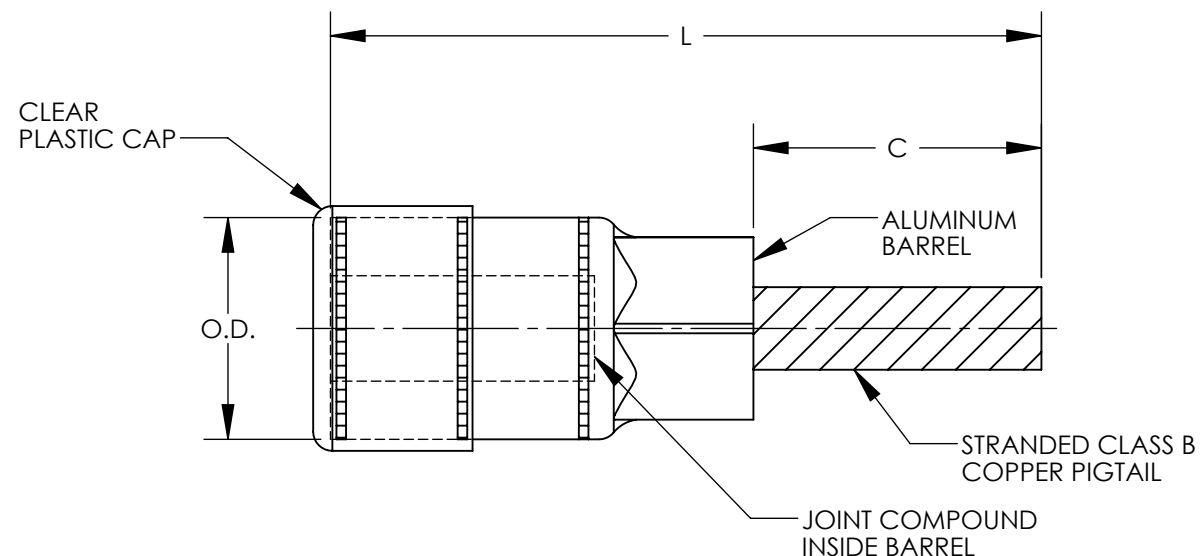


PANDUIT PART NUMBER	ALUMINUM WIRE SIZE	COPPER PIGTAIL SIZE	WIRE STRIP LENGTH	DIMENSIONS - +/- .02		
				C	L	O.D.
BPC6-L	6 AWG	8 AWG	----	0.88	2.45	0.64
BPC4-L	4 AWG	6 AWG	1.00	0.88	2.45	0.64
BPC2-L	2 AWG	4 AWG	1.00	0.88	2.45	0.64
BPC1-X	1 AWG	3 AWG	1.00	1.00	2.58	0.64
BPC1/0-X	1/0 AWG	2 AWG	1.25	1.25	3.33	0.91
BPC2/0-X	2/0 AWG	1 AWG	1.25	1.25	3.33	0.91
BPC3/0-X	3/0 AWG	1/0 AWG	1.25	1.38	3.45	0.91
BPC4/0-X	4/0 AWG	2/0 AWG	1.25	1.38	3.45	0.91
BPC250-X	250 kcmil	3/0 AWG	1.38	1.50	3.70	1.16
BPC300-X	300 kcmil	4/0 AWG	1.38	1.63	4.11	1.16
BPC350-X	350 kcmil	4/0 AWG	1.38	1.63	4.11	1.16
BPC400-X	400 kcmil	250 kcmil	1.38	1.88	4.34	1.32
BPC500-X	500 kcmil	350 kcmil	1.38	1.88	4.34	1.32
BPC600-6	600 kcmil	350 kcmil	1.88	1.88	4.78	1.50
BPC750-6	750 kcmil	500 kcmil	1.88	2.00	4.91	1.50

NOTES:

1. BARREL MATERIAL: ALUMINUM A-A OR ALLUMINUM ALLOY 1100.
2. WIRE MATERIAL: HIGH CONDUCTIVITY GRADE, STRANDED CLASS B COPPER.
3. USER TO ASSEMBLE CONNECTORS TO ALUMINUM STRANDED WIRE ONLY.
4. OXIDE INHIBITING JOINT COMPOUND PREFILLED IN EACH BARREL.
5. CONNECTOR UL LISTED, RATED FOR 90° C AND 600V OPERATION. INSULATING SLEEVES ARE TO BE RATED FOR 90° C - 600V OPERATION.
6. INSULATING SLEEVE INCLUDED (EPDM).
7. PACKAGING QUANTITY: - L = 50  
- X = 10



REV	DATE	BY	CHK	APR	DESCRIPTION	ECN
04	3/15	JHNU	JHNU	RGB	ADDED CLASS B TO WIRE DESCRIPTION	N41292BB-C41292
03	3/13	JHNU	JHNU	RGB	REVISED TITLE BLOCK	N41292BB-C41292

TITLE <b>BPC SERIES BI-METALLIC PIN CONNECTORS CUSTOMER DRAWING</b>	
ITEM REVISION NAME N41292BB-C41292/04	
DATASET FILE NAME C41292/04.SLDDRW	
UNLESS OTHERWISE SPECIFIED, DIMENSIONAL TOLERANCES ARE: IN [mm] .X ± .XXX ± .XX ± ANGLES ±	
THIRD ANGLE PROJECTION	
DRAWN BY EJS	DATE
CHK	SCALE NONE
DRAWING NUMBER C41292_03	
SHEET 1 OF 1	
SIZE B	

## X-ON Electronics

Largest Supplier of Electrical and Electronic Components

*Click to view similar products for [Terminals](#) category:*

*Click to view products by [Panduit](#) manufacturer:*

Other Similar products are found below :

[00-054007-01074-6](#) [00-054007-70206-1](#) [00-054007-70210-8](#) [00-054007-70217-7](#) [00-054007-70226-9](#) [00-054007-70228-3](#) [00-054007-70248-1](#) [00-054007-70256-6](#) [00-054007-70301-3](#) [00-054007-70316-7](#) [0-0320562-0](#) [00-054007-49560-4](#) [00-054007-70209-2](#) [00-054007-70225-2](#) [00-054007-70227-6](#) [00-054007-70231-3](#) [00-054007-70241-2](#) [00-054007-70242-9](#) [00-054007-70244-3](#) [00-054007-70246-7](#) [00-054007-70263-4](#) [00-054007-70288-7](#) [00-054007-70290-0](#) [00-054007-70300-6](#) [00-054007-70304-4](#) [01-2065-1-0216](#) [01-2900-1-04412](#) [00581P0075](#) [600TS-10](#) [60205-1](#) [604200-1](#) [605601-1](#) [60598-1-CUT-TAPE](#) [61314-6-C](#) [61810-3](#) [61-S](#) [61-SN](#) [626-0194](#) [62-NBM-A](#) [62-SN](#) [62-SP](#) [63-S](#) [640179-1](#) [M55155/059I03](#) [M55155/079C01](#) [M55155/099H02](#) [M55155/109H01](#) [M55155/109H02](#) [M55155/12XH05](#) [M55155/16XH02](#)