

19" Rack Mount Brush Seal Kits

PANDUIT®

SPECIFICATION SHEET

specifications

Unused rack openings shall have 19" rack mount brush seal kits installed to reduce bypass airflow through open spaces in racks and cabinets. Brush seal kits allow front to back cable management while maintaining thermal seal. Brush seals shall be designed of metallic material and contain (4) M6 Phillips screws, (4) M6 cage nut, and (4) #12-24 screws for tapped E-rail mounting. Panels shall be available in 1 RU or 2 RU sizes to enable the blanking of multiple rack unit configurations.



1 RU Panel



2 RU Panel

Brush Seals

1 RU x 19"
(483mm) width

Black: BR1B

2 RU x 19"
(483mm) width

Black: BR2B

technical information

Standards: 19.00" (483mm) width meets CEA-310-E standards

RoHS compliance: Yes

Compatibility: Each blank panel has a hardware kit which contains (4) M6 Phillips screws and (4) M6 cage nut, (4) #12-24 screws for tapped E-rail mounting.

Material (color): Black powder coat using RAL 9005.

key features and benefits

Cold rolled steel material	Installs easily with Phillips screwdriver improving productivity
Ease of cable passthrough	Allows front to back cable management within a rack unit
More effective cable management	Brush dam seals air while maintaining effective cable pass-through
Minimize thermal bypass	Prevents air recirculation within cabinet
Two sizes for horizontal or vertical applications	1 RU or 2 RU sizes can blank out multiple rack unit configurations enabling installer to select appropriate sizes

applications

The 19" rack mount brush seal kits are part of the energy-saving airflow management solutions for smart data centers. They are designed to minimize bypass airflow in racks and cabinets while providing a desirable appearance. The 19" rack mount brush

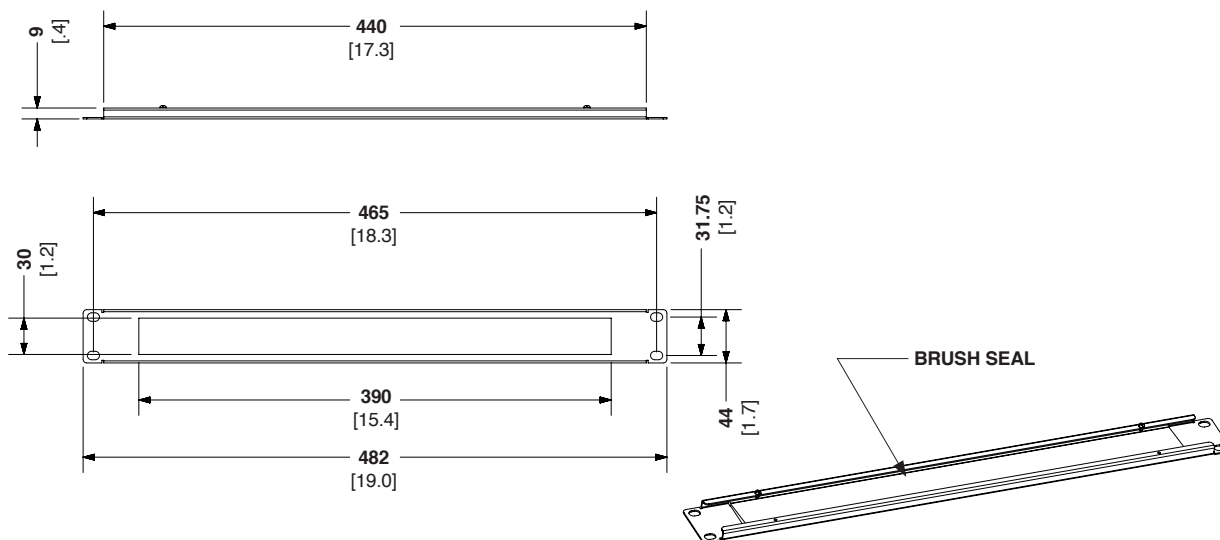
seal has design features that help to speed installation and is part of the complete range of cooling accessories available from Panduit to help maximize management and control of the physical infrastructure.

19" Rack Mount Brush Seal Kits

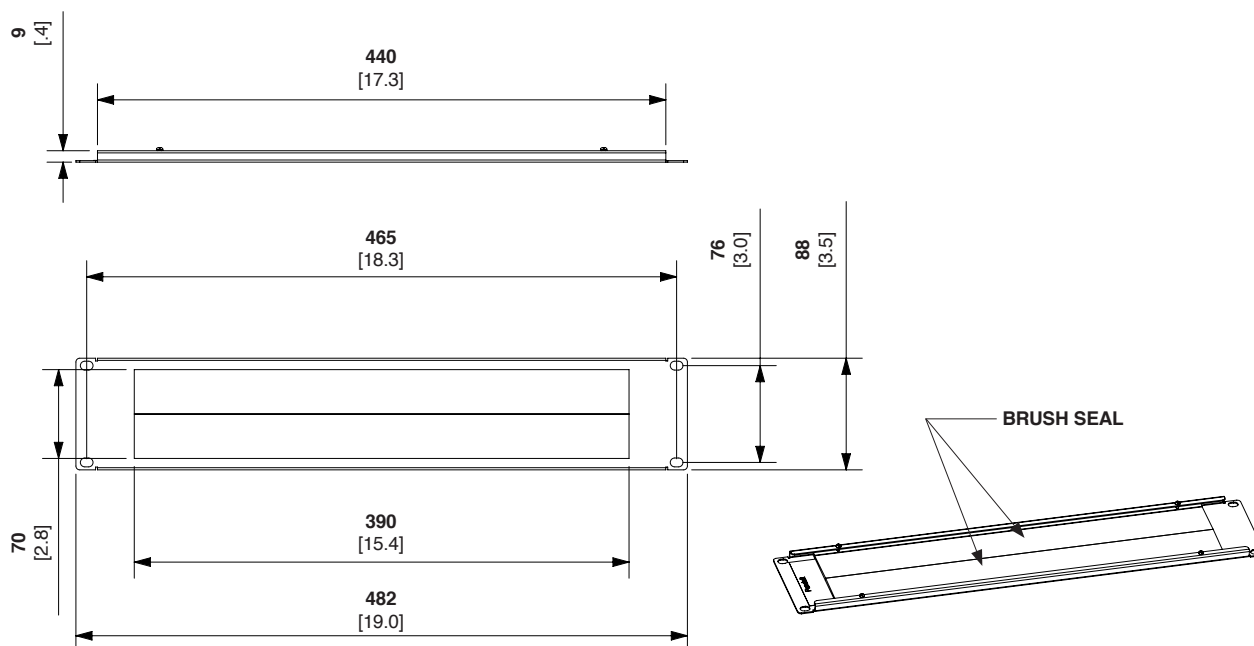
Ordering Information

Black Part Numbers	Rack Unit(s)	Hardware	Std. Pkg. Qty.
BR1B	1RU	Contains (4) M6 Phillips screws and (4) M6 cage nut, (4) #12-24	1
BR2B	2RU	Screws for tapped E-rail mounting.	1

1 RU Panel



2 RU Panel



Dimensions are in metric. [Dimensions in brackets are inches.]

WORLDWIDE SUBSIDIARIES AND SALES OFFICES

PANDUIT US/CANADA
Phone: 800.777.3300

PANDUIT EUROPE LTD.
London, UK
cs-emea@panduit.com
Phone: 44.20.8601.7200

PANDUIT SINGAPORE PTE. LTD.
Republic of Singapore
cs-ap@panduit.com
Phone: 65.6305.7575

PANDUIT JAPAN
Tokyo, Japan
cs-japan@panduit.com
Phone: 81.3.6863.6000

PANDUIT LATIN AMERICA
Guadalajara, Mexico
cs-la@panduit.com
Phone: 52.33.3777.6000

PANDUIT AUSTRALIA PTY. LTD.
Victoria, Australia
cs-aus@panduit.com
Phone: 61.3.9794.9020

For a copy of Panduit product warranties, log on to www.panduit.com/warranty

For more information

Visit us at www.panduit.com

Contact Customer Service by email: cs@panduit.com
or by phone: 800-777-3300

PANDUIT[®]

© 2018 Panduit Corp.
ALL RIGHTS RESERVED.
RKSP177--WW-ENG
4/2018

X-ON Electronics

Largest Supplier of Electrical and Electronic Components

Click to view similar products for [Wire Ducting & Raceways](#) category:

Click to view products by [Panduit](#) manufacturer:

Other Similar products are found below :

[FG5EI25-A](#) [PED12](#) [PED8](#) [PEVEP](#) [FXOE3-10M3](#) [FZD3-3M2](#) [FZLE10-10M2](#) [FZOD3-3M3](#) [FZOE10-10M1](#) [FZOLE10-10M2](#) [FZOPE3-10M1](#) [FZOPE3-10M2](#) [FZPE3-10M1](#) [FZPE3-10M2](#) [923223-000](#) [PRAF6WH-X](#) [A0405538](#) [1301150342](#) [1301230083](#) [1301150343](#)
[1301230052](#) [1301230086](#) [1301240054](#) [1302263199](#) [AX101472](#) [AX102652](#) [AX102653](#) [AX102737](#) [S62DS](#) [S65DS](#) [S75DSH](#) [A0405536](#)
[A0405537](#) [A0649869](#) [FXOD3-3M1](#) [FXOE10-10M2](#) [FZLD3-3M2](#) [FZOE3-10M1](#) [FZOE3-10M2](#) [FZOLE3-10M2](#) [FZOPE10-10M1](#) [FZPD3-3M2](#) [PZRFE4](#) [PZWIFIEN](#) [PZWIFIENA](#) [CNPSNH](#) [CNSPC](#) [5400ES](#) [45EB](#) [WDLT-1216-72](#)